

ALS Collection

Job Name:

Fixture Type:

LED Wallwash

A68



For use in H02 ALS system.

Specify:

A68 - - - - -

FIXTURE MODEL LUMENS ADAPTER VOLTAGE CRI CCT FINISH

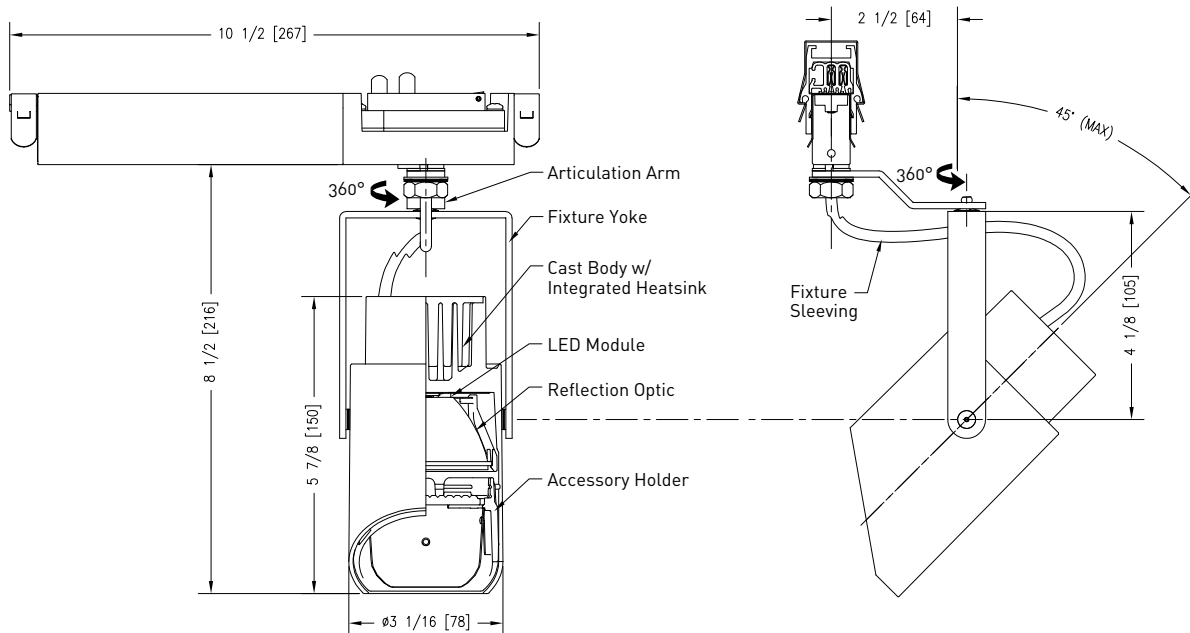
Example:

A68 L1800 9TS A 92 30 P

This Litelab fixture features an ultra-high-efficiency LED that allows maximum light output from a small fixture. The CREE CXB engine is available in an architectural range of color temperatures and produces high CRI and R9 values.

| LUMENS-CRI | COLOR TEMPERATURE (CCT) | | | INPUT REQUIREMENTS | | |
|------------|-------------------------|------------|------------|--------------------|----------|----------|
| | (select one) | | | 120V | 240V | 277V |
| 1800-92 | 27 (2700K) | 30 (3000K) | 35 (3500K) | 0.3A/26W | 0.2A/26W | 0.2A/26W |
| 1300-92 | 27 (2700K) | 30 (3000K) | 35 (3500K) | 0.2A/18W | 0.1A/18W | 0.1A/18W |
| 1600-98 | 27 (2700K) | 30 (3000K) | 35 (3500K) | 0.3A/26W | 0.2A/26W | 0.2A/26W |
| 1100-98 | 27 (2700K) | 30 (3000K) | 35 (3500K) | 0.2A/18W | 0.1A/18W | 0.1A/18W |

Features & Benefits



Fixture Description

Single piece die-cast aluminum fixture body allows for high efficiency passive cooling. Deep regressed LED and optic designed for maximum glare control. Fixture to be supplied with baffle, accessory holder and OL-30x60 wallwash spread lens.

Accessory Cartridge

Holds up to two accessories—including a range of lenses, filters and louvers.

Lenses & Accessories**

Standard wallwash spread lens included with fixture. Accessory code shall be "g."



251 Elm Street Buffalo, NY 14203 USA
800-238-4120 • www.litelab.com © 03/2021

Finishes

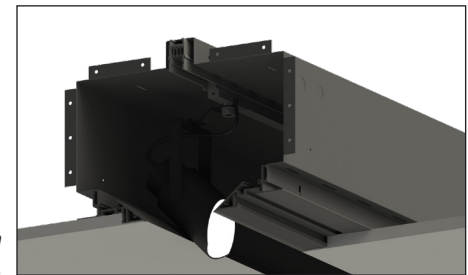
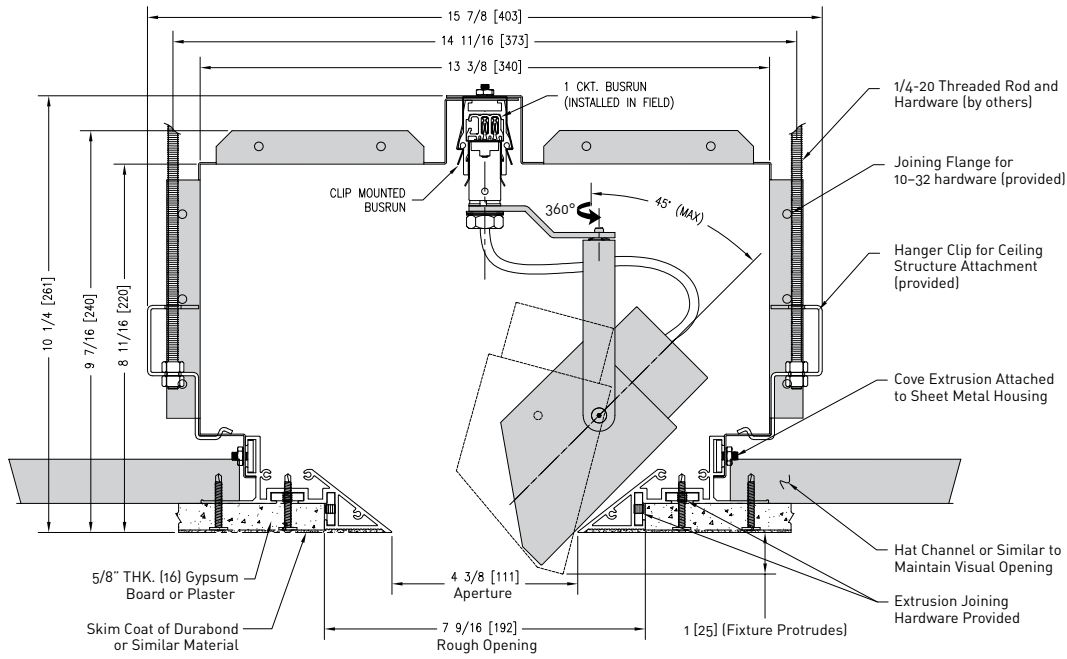
Available in white, black and custom finish.

Dimming

This fixture is provided with an LED Driver suitable for trailing edge dimming. Dimming performance may vary based on dimmer model or system being used. If exact performance is required, Litelab recommends testing the Litelab fixture and specified dimmer.

*Covered under one or more of the following patents: US: 8,740,421 B2, D499, 698, D389,012, Republic of China: D149,379, People's Republic of China: ZL 201130358013.3, European Union: RCD #001920356-0001. Additional patents pending. **See fittings and accessories page for mounting options and accessories.

A68 Fixture shown in H02 Housing



A68 fixture shown in H02 housing.

ACCESSORIES

Spread Lenses

Universal Spread

OL- 30° x 60°-g

FINISHES

Consult with Litelab for other finishes

- P** White
- MB** Black
- CP** Custom Finish