

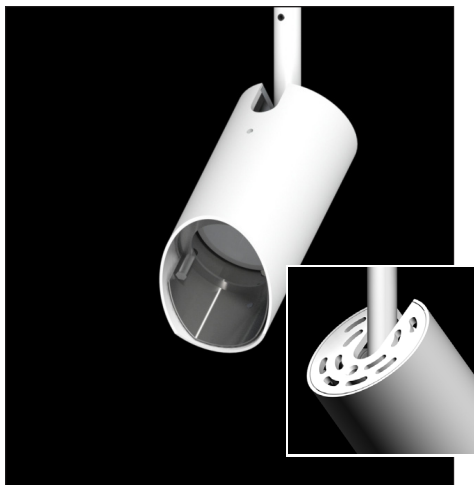
Job Name:

Fixture Type:

## Museum Collection

### LED Retrofit/Wallwash

#### M62MR16


**Specify:**

M62MR16

FIXTURE MODEL

ADAPTER

VOLTAGE

FINISH

ACCESSORIES(optional)

**Example:**

M62MR16

9iC-RL

A

P

OL-5 x 30- a

#### Museum Collection Fixtures

#### Ratings

- Fits deep 2.38" (60mm) BusRun.
- Fixture rotates up to 360° and may be ordered with an on/off switch. Includes standard tilt & rotation locks.
- Accessory cartridge is designed to be remounted in the same position after relamping, maintaining proper orientation of all accessories.
- Slotted back panel allows for air to pass through housing for efficient heat dissipation.

15 watts maximum

### Features & Benefits

#### Flush Fit adapter with Rotation Lock\*

Adapter plugs into Busway with separate electrical and mechanical connections. Integrated transformer allows for cooler fixture operation and longer lamp life. Adapter equipped with thumb wheel horizontal rotation lock.

#### Stem

Durable aluminum stem, features a constant tension tilt swivel that is mechanically lockable. Standard aiming angle is 90° maximum.

#### Lamp Housing

Housing is attached to a precision machined aluminum heatsink by means of a ball catch, allowing for one hand relamping while never changing focus or lens orientation.

#### Accessory Cartridge\*\*

Front installing cartridge is equipped with a kick reflector and holds optional lenses and light blocking screens.

#### Lenses & Accessories\*\*

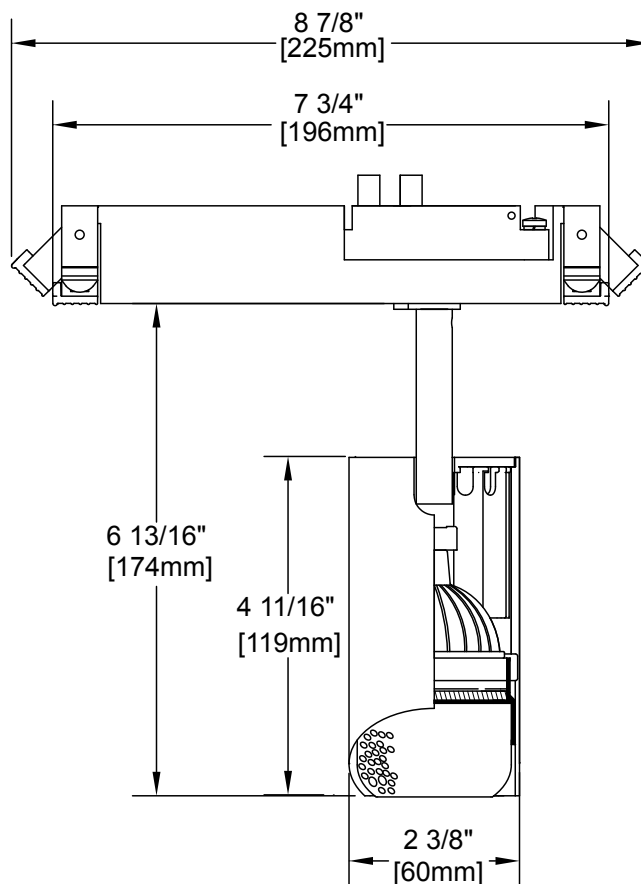
Optional 55°x75° optical patterned wallwash spread lens, 5°x30° or 5°x55° linear spread lens available. All lenses are keyed for lockable orientation. Photo etched light blocking screens and beam softener lens are also available. Accessory size code shall be 'a.'

#### Finishes

Available in a durable powdercoat finish of white or matte black as well as Litelab's natural aluminum. Consult for custom finishes.

#### Dimming

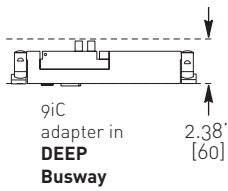
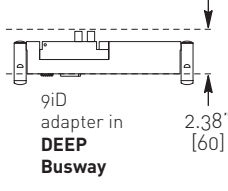
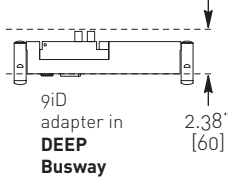
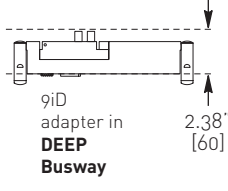
Use ELV (electronic low voltage) rated dimmers only.



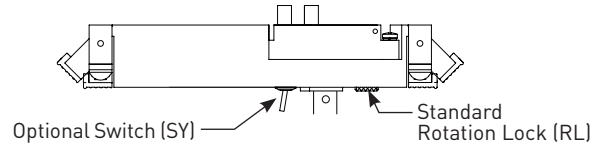
251 Elm Street Buffalo, NY 14203 USA  
800-238-4120 • www.litelab.com © 12/2020

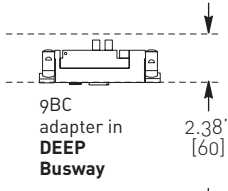
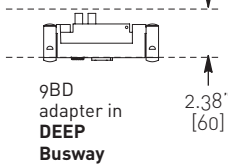
\*Covered under one or more of the following patents: US: 8,740,421 B2, D499, 698, D389,012, Republic of China: D149,379, People's Republic of China: ZL 201130358013.3. Additional patents pending. \*\*See fittings and accessories page for mounting options and accessories.

**ADAPTERS**

| BUSRUN  | adapter code  | on-off switch | rotation lock | voltage   |
|---|---|---------------|---------------|-----------|
|   |   | optional      | standard      |           |
|  <p>9iC adapter in DEEP Busway<br/>2.38" [60]</p> | <b>9iC</b>  | <b>-SY</b>    | <b>-RL</b>    | <b>-A</b> |
|   | fused Lock n Hide fitter with integral driver for use with <b>Deep 120V BusRun</b> busway |               |               |           |
|  <p>9iD adapter in DEEP Busway<br/>2.38" [60]</p> | <b>9iC</b>  | <b>-SY</b>    | <b>-RL</b>    | <b>-D</b> |
|   | fused Lock n Hide fitter with integral driver for use with <b>Deep 240V BusRun</b> busway |               |               |           |
|  <p>9iD adapter in DEEP Busway<br/>2.38" [60]</p> | <b>9iD</b>  | <b>-SY</b>    | <b>-RL</b>    | <b>-A</b> |
|   | fused plug-in fitter with integral driver for use with <b>Deep 120V BusRun</b> busway     |               |               |           |
|  <p>9iD adapter in DEEP Busway<br/>2.38" [60]</p> | <b>9iD</b>  | <b>-SY</b>    | <b>-RL</b>    | <b>-D</b> |
|   | fused plug-in fitter with integral driver for use with <b>Deep 240V BusRun</b> busway     |               |               |           |

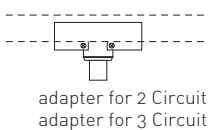
**FITTER DETAIL HIGHLIGHTING OPTIONAL SWITCH**



| 12V BUSRUN  |  |            |            |           |
|---|--|------------|------------|-----------|
|  <p>9BC adapter in DEEP Busway<br/>2.38" [60]</p>   | <b>9BC</b>   | <b>-SY</b> | <b>-RL</b> | <b>-B</b> |
|   | fused Lock n Hide fitter for use with <b>12V BusRun</b> busway |            |            |           |
|  <p>9BD adapter in DEEP Busway<br/>2.38" [60]</p> | <b>9BD</b>   | <b>-SY</b> | <b>-RL</b> | <b>-B</b> |
|   | fused plug-in fitter for use with <b>12V BusRun</b> busway     |            |            |           |

**TRACK (120V, 240V)**

2-3 Circuit



Spec Track adapter - 3.8" [97] L x 1.25" [32] W x .75" [19] Ht for use in two or three circuit track.

**EUT-2**  
**EUT-3**

**ACCESSORIES**

Spread Lenses

**Linear Spread**  
OL- 5° x 30°- a  
OL- 5° x 55°-a

**Universal Spread**  
OL- 55° x 75°-a

**Beam Softener**  
OL-SF-a

**Note:** Some LED manufacturers do not recommend the use of lenses in front of their lamps. See manufacturer for details.

Screens

**Light Block Screen**  
B-15N/a

Photo-etched, 15% light-blocking screen. Accepts up to 5 for 30%, 45%, 60% or 75% (maximum)

**FINISHES**

Consult with Litelab for custom finishes

- NT** Brushed Aluminum
- MB** Black
- P** White
- CP** Custom Paint

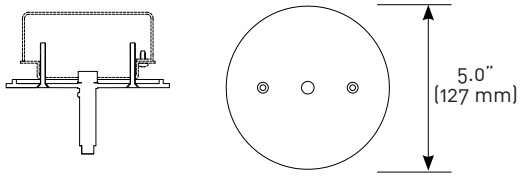
**INPUT REQUIREMENTS**

Check with LED lamp manufacturer for specific lumen/input requirements.

**ADAPTERS**

**CANOPY ONLY**

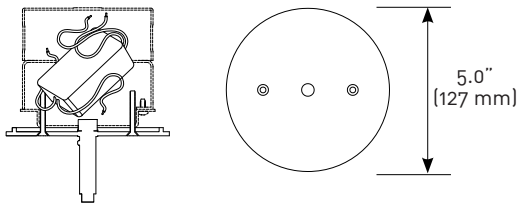
-3



5" (127mm) diameter x 1/4" (6mm) height machined canopy for remote transformer. (Transformer required and ordered separately. Junction box not included.)

**CANOPY WITH POWER SUPPLY (120V, 230V, 277V)**

-3E-A 120V  
-3E-D 240V  
-3E-C 277V

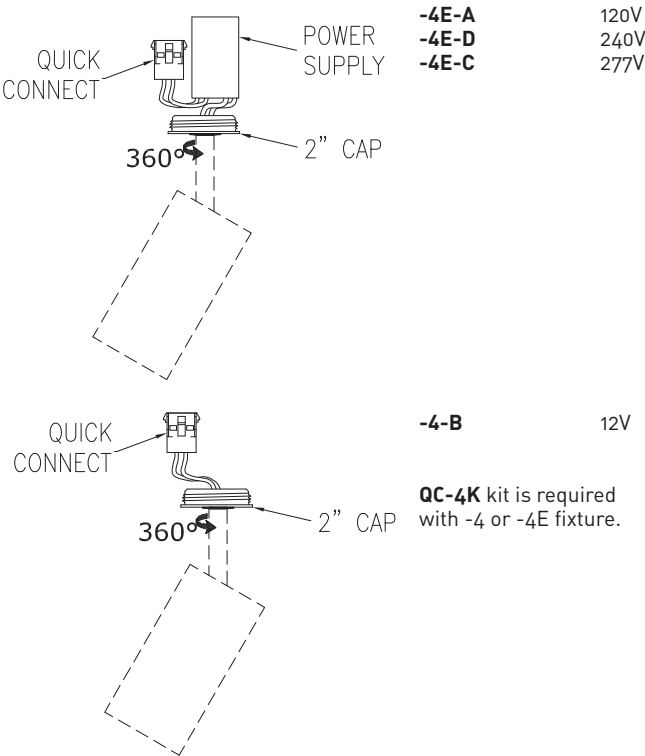


5" (127mm) diameter x 1/4" (6mm) height machined canopy with electronic low-voltage power supply. (4" x 4" x 4" junction box not included.)

**2" QUICK CONNECT CANOPY**

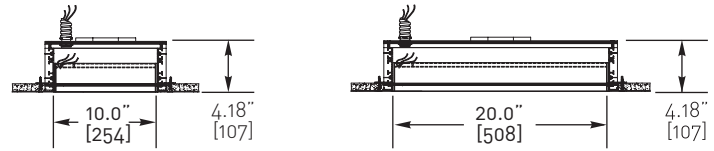
2" canopy

voltage



**QC-4K** kit is required with -4 or -4E fixture.

**BUSPOINTS**

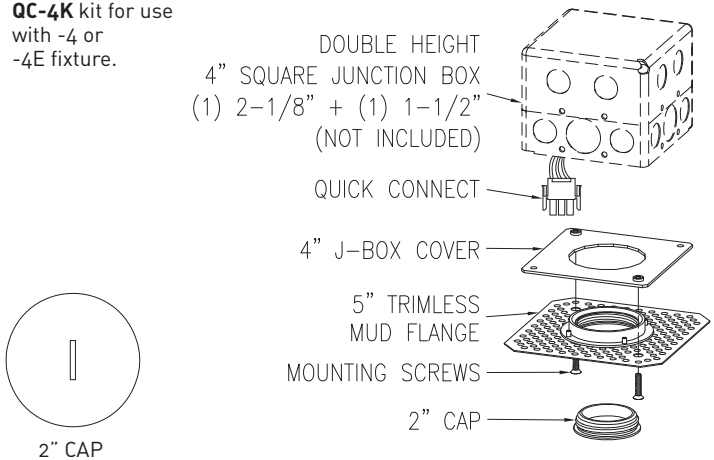


**BP1-08-1A-10** 120V  
**BP1-08-3D-10** 240V

**BP1-08-1A-20** 120V  
**BP1-08-3D-20** 240V

**2" QUICK CONNECT FLANGE KIT**

**QC-4K** kit for use with -4 or -4E fixture.



Box fill must be in compliance with National Electric Code Article 314.