

Jewelers Collection

LED Retro/Halogen

J13MR16



Job Name:

Fixture Type:

Specify:

 - - - -

FIXTURE MODEL	ADAPTER	VOLTAGE	FINISH	ACCESSORIES(optional)
---------------	---------	---------	--------	-----------------------

Example:

 - - - -

Jewelers Collection Fixtures

- Fits deep 2.38" (60mm) BusRun.
- Fixture rotates up to 360° and may be ordered with optional on/off switch and rotation lock.

Ratings

15 watts maximum (LED)
50 watts maximum (Halogen)

When using LED replacement lamps, performance may vary based on lamping. To ensure functionality, we recommend reviewing the performance of specified lamps with the fixture.

Features & Benefits

Fixture Description

Yoke mounted with internally tapered, rear-load, machined aluminum lamp ring. Socket cup covers ceramic socket, and leads are enclosed in basket-weave stainless steel braiding.

Flush Fit adapter

Adapter plugs into Busway with separate electrical and mechanical connections. Integrated transformer is fully concealed in deep BusRun, and allows for cooler fixture operation and longer lamp life. Fitter options include a rotation lock and switch, or the fixture may be mounted to other standard Litelab fitters.

Lenses and Accessories

Standard clear lenses are available with 55°x 75°, 5°x 30°, and 5°x 55° optical patterns. Beam softener lens, photo etched light blocking screens, hexcell louvers, and tapered object snoots are also available. Accessory code shall be "a".

Lamp Ring / Accessory Holder

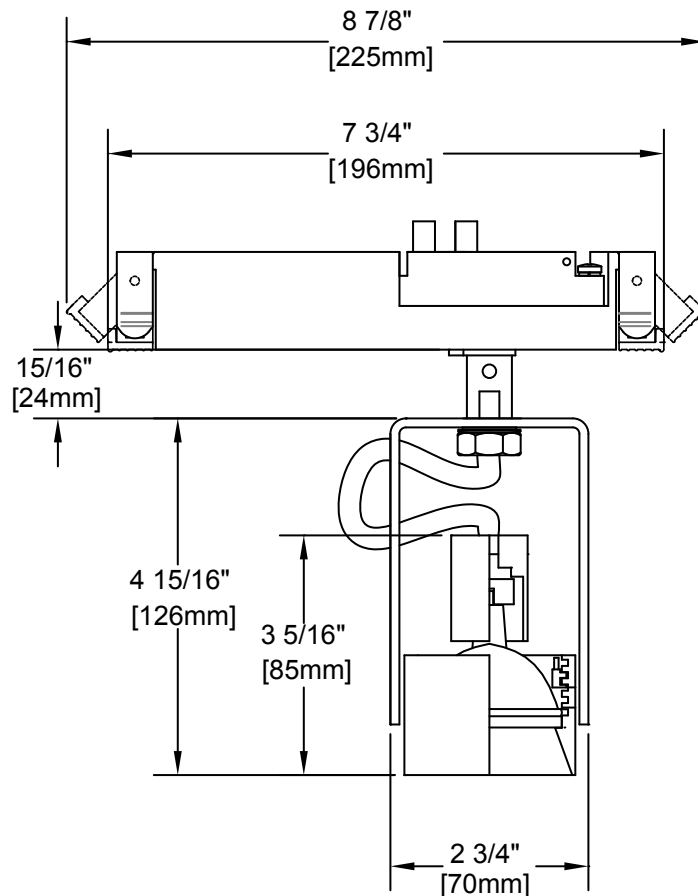
Lamp ring has threaded lamp retaining ring and accepts up to two accessories.

Finishes

Available in brushed aluminum, black, white, or custom finish.

Dimming

See LED lamp manufacturer's specifications for dimming LED replacement lamps.

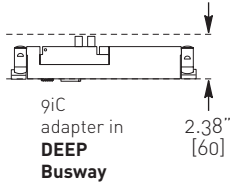


251 Elm Street Buffalo, NY 14203 USA
800-238-4120 • www.litelab.com © 12/2020

*Covered under one or more of the following patents: US: 8,740,421 B2, D499, 698, D389,012, Republic of China: D149,379, People's Republic of China: ZL 201130358013.3. Additional patents pending. **See fittings and accessories page for mounting options and accessories.

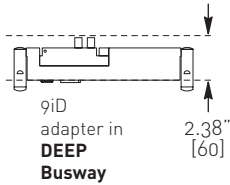
ADAPTERS

BUSRUN	adapter code	on-off switch	rotation lock	voltage
		optional	optional	



9iC -SY -RL -A
fused Lock n Hide fitter with integral driver for use with Deep 120V BusRun busway

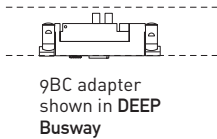
9iC -SY -RL -D
fused Lock n Hide fitter with integral driver for use with Deep 240V BusRun busway



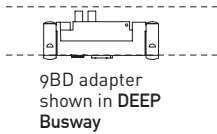
9iD -SY -RL -A
fused plug-in fitter with integral driver for use with Deep 120V BusRun busway

9iD -SY -RL -D
fused plug-in fitter with integral driver for use with Deep 240V BusRun busway

12V BUSRUN



9BC -RL -B
fused Lock n Hide fitter for use with 12V BusRun busway



9BD -RL -B
fused plug-in fitter for use with 12V BusRun busway

ACCESSORIES

Spread Lenses

Linear Spread*

OL- 5° x 30°- a
OL- 5° x 55°-a

Universal Spread*

OL- 55° x 75°-a

Beam Softener*

OL-SF-a

Clear Pyrex

OL-Flat-a (included with fixtures labeled for 50 watts)

UV Filter

OL-Flat-a-UV

* available with UV coating (add -UV to part number when specifying.)

Louvers & Screens

Hexcell Louver

LVH/a (black)

Light Block Screen

B-15N/a

Photo-etched, 15% light-blocking screen. Accepts up to 5 for 30%, 45%, 60% or 75% (maximum)

Tapered Snoot

Object

SNOOT-T-a-13

Wallwash

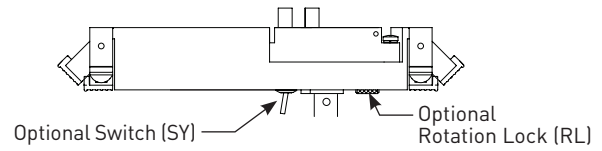
SNOOT-TW-a-13

FINISHES

Consult with Litelab for custom finishes

- NT** Brushed Aluminum
- MB** Black
- P** White
- CP** Custom Paint

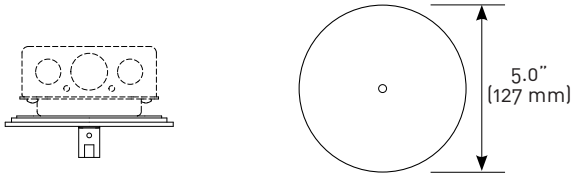
Fitter Detail



ADAPTERS

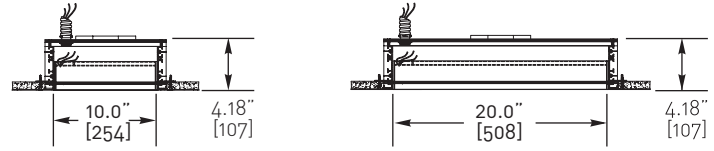
CANOPY ONLY

-3



5" [127mm] diameter x 1/4" [6mm] height machined canopy for remote transformer. (Transformer ordered separately. 4" x 4" junction box not included)

BUSPOINTS

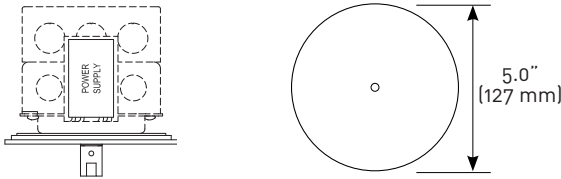


BP1-08-1A-10 120V
BP1-08-3D-10 240V

BP1-08-1A-20 120V
BP1-08-3D-20 240V

CANOPY WITH POWER SUPPLY (120V, 277V, 240V)

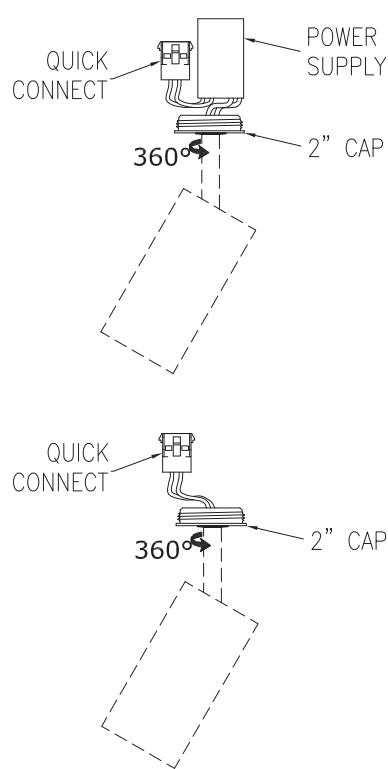
-3E-A 120V
 -3E-D 240V
 -3E-C 277V



5" [127mm] diameter x 1/4" [6mm] height machined canopy with electronic low-voltage power supply. (4" x 4" x 4" junction box not included)

2" QUICK CONNECT CANOPY

2" canopy voltage



-4E-A 120V
-4E-D 240V

-4-B 12V

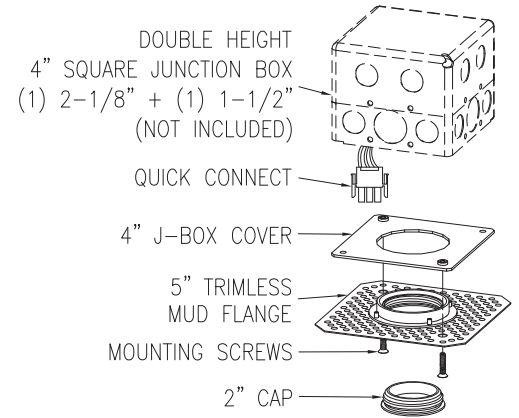
QC-4K kit is required with -4 or -4E fixture.

2" QUICK CONNECT FLANGE KIT

QC-4K kit for use with -4 or -4E fixture.



2" CAP



Box fill must be in compliance with National Electric Code Article 314.