

Jewelers Collection

Job Name:

Fixture Type:

LED Retro/Halogen

J03PAR38



Specify:

J03PAR38 - - - -

FIXTURE MODEL - ADAPTER - VOLTAGE - FINISH - ACCESSORIES(optional)

Example:

J03PAR38 - 9AC - A - NT - OL-5 x 30- w

Jewelers Collection Fixtures

- Fits deep 2.38" (60mm) BusRun.
- Fixture rotates up to 360° and may be ordered with optional on/off switch and rotation lock.

Ratings

30 watts maximum (LED)
250 watts maximum (Halogen)

When using LED replacement lamps, performance may vary based on lamping. To ensure functionality, we recommend reviewing the performance of specified lamps with the fixture.

Features & Benefits

Fixture Description

Yoke mounted with internally tapered, rear-load, machined aluminum lamp ring. Socket cup covers ceramic socket, and leads are enclosed in basket-weave stainless steel braiding.

Flush Fit adapter

Adapter plugs into Busway with separate electrical and mechanical connections, and is fully concealed in deep BusRun. Fitter options include a rotation lock and switch, or the fixture may be mounted to other standard Litelab fitters.

Lenses and Accessories

Standard clear lenses are available with 55°x75°, 5°x30°, and 5°x55° optical patterns. Beam softener lens, photo etched light blocking screens, hexcell louvers, and tapered object and wallwash snoots are also available. Accessory code shall be "w".

Lamp Ring/Accessory Holder

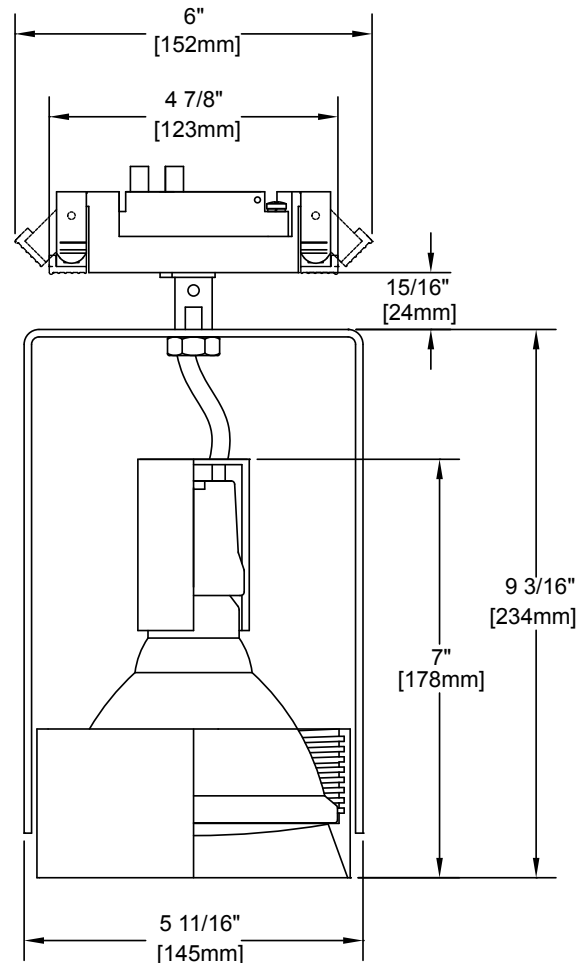
Lamp ring has threaded lamp retaining ring and accepts up to two accessories.

Finishes

Available in brushed aluminum, black, white, or custom finish.

Dimming

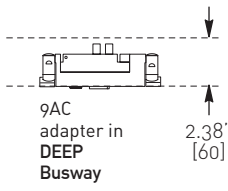
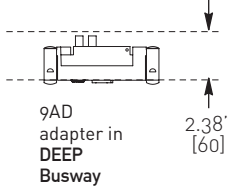
See LED lamp manufacturer's specifications for dimming LED replacement lamps.



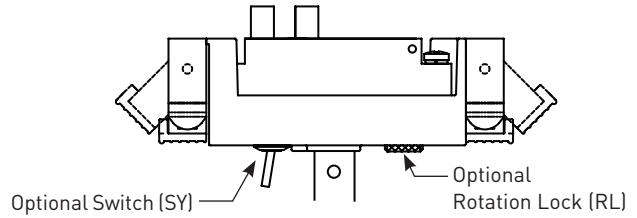
251 Elm Street Buffalo, NY 14203 USA
800-238-4120 • www.litelab.com © 12/2020

**See fittings and accessories page for mounting options and accessories.

ADAPTERS

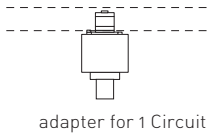
BUSRUN	adapter code	on-off switch optional	rotation lock optional	voltage
 <p>9AC adapter in DEEP Busway</p> <p>2.38" [60]</p>	9AC	-SY	-RL	-A
	fused Lock n Hide fitter with integral driver for use with Deep 120V BusRun busway			
 <p>9AD adapter in DEEP Busway</p> <p>2.38" [60]</p>	9AC	-SY	-RL	-D
	fused Lock n Hide fitter with integral driver for use with Deep 240V BusRun busway			
	9AD	-SY	-RL	-A
	fused plug-in fitter with integral driver for use with Deep 120V BusRun busway			
	9AD	-SY	-RL	-D
	fused plug-in fitter with integral driver for use with Deep 240V BusRun busway			

Fitter Detail highlighting Optional Switch



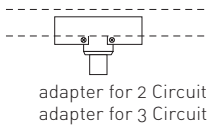
TRACK (120V, 240V)

1, 2-3 Circuit



Basic Track adapter - 1.5" [38] x 1.5" [38] x 1.18" [30] Ht. for use in single circuit track.

8BT



Spec Track adapter - 3.8" [97] L x 1.25" [32] W x .75" [19] Ht for use in two or three circuit track.

EUT-2
EUT-3

ACCESSORIES

Spread Lenses

Linear Spread*
OL- 5° x 30°-w
OL- 5° x 55°-w

Universal Spread*
OL- 55° x 75°-w

Beam Softener*
OL-SF-w

UV Filter
OL-Flat-w-UV

* available with UV coating (add -UV to part number when specifying.)

Louvers & Screens

Hexcell Louver
LVH/w (black)

Light Block Screen
B-15N/w

Photo-etched, 15% light-blocking screen. Accepts up to 5 for 30%, 45%, 60% or 75% (maximum)

Tapered Snoots

Object
SNOOT-T-w-29

Wallwash
SNOOT-TW-w-29

FINISHES

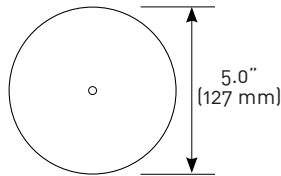
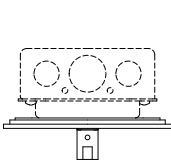
Consult with Litelab for custom finishes

NT Brushed Aluminum
MB Black
P White
CP Custom Paint

ADAPTERS

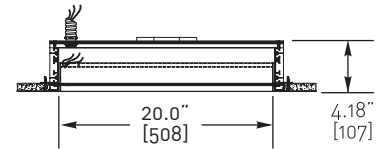
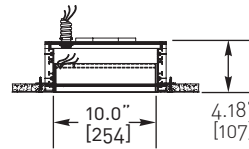
CANOPY

- 3-A 120V
- 3-D 240V



5" (127mm) diameter x 1/4" (6mm) height machined canopy. (Junction box and raised mud ring not included.)

BUSPOINTS

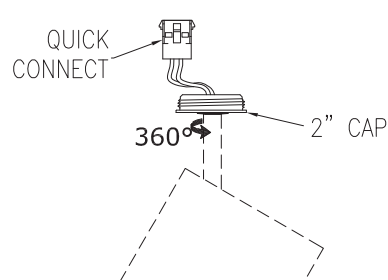


- BP1-08-1A-10 120V
- BP1-08-3D-10 240V

- BP1-08-1A-20 120V
- BP1-08-3D-20 240V

2" QUICK CONNECT CANOPY

2" canopy voltage

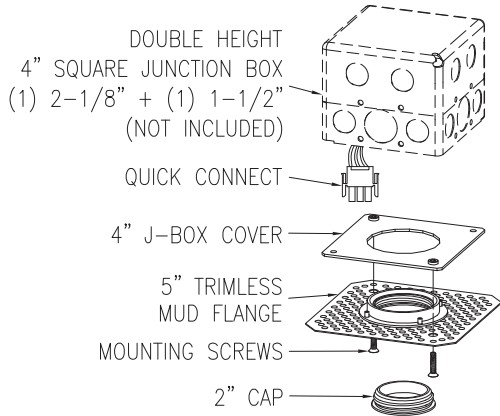


- 4-A 120V
- 4-D 240V

QC-4K kit is required with -4 fixture.

2" QUICK CONNECT FLANGE KIT

QC-4K kit for use with -4 fixture.



Box fill must be in compliance with National Electric Code Article 314.