

LED Object

A73



For use in H06 ALS system.

Specify:

A73 - - - - - - -

FIXTURE MODEL LUMENS ADAPTER VOLTAGE CRI CCT FINISH OPTIC

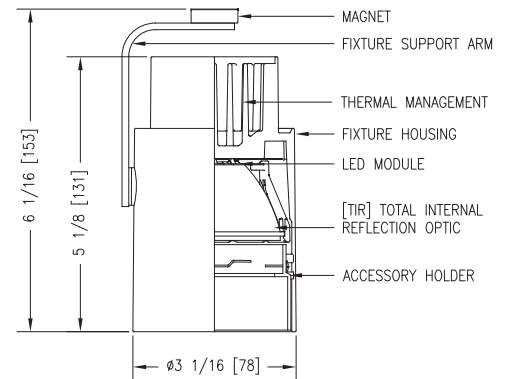
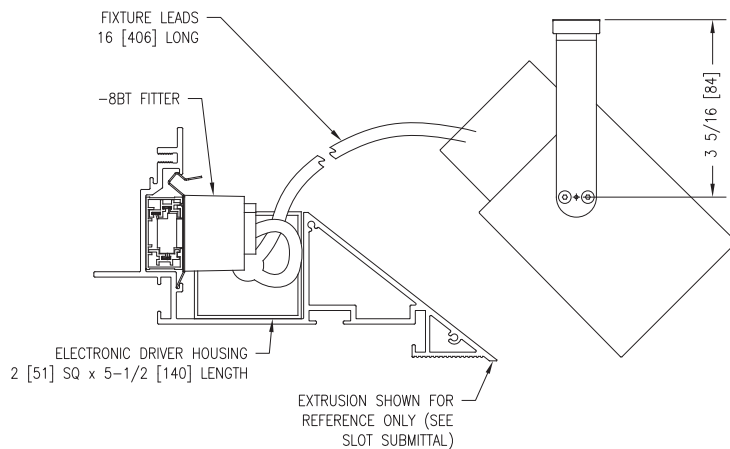
Example:

A73 L1600 BT A 92 30 P 10

This Litelab fixture features a field interchangeable fixed optics at 10, 22 and 33 degrees . The ultra-high-efficiency LED allows maximum light output from a small fixture. The CREE CXB engine is available in an architectural range of color temperatures and produces high CRI and R9 values.

LUMENS-CRI	COLOR TEMPERATURE (CCT)			INPUT REQUIREMENTS		
	(select one)			120V	240V	277V
1800-92	27 (2700K)	30 (3000K)	35 (3500K)	0.19A/23W	0.10A/23W	
1300-92	27 (2700K)	30 (3000K)	35 (3500K)	0.12A/15W	0.07A/15W	
1600-98	27 (2700K)	30 (3000K)	35 (3500K)	0.19A/23W	0.10A/23W	
1100-98	27 (2700K)	30 (3000K)	35 (3500K)	0.12A/15W	0.07A/15W	

Features & Benefits



Fixture Description

Single piece die-cast aluminum fixture body allows for high efficiency passive cooling. Deep regressed LED and optic designed for maximum glare control. Interchangeable 10, 22 and 33 degree optics.

Accessory Cartridge

Holds up to two accessories—including a range of lenses, filters and louvers.

Lenses & Accessories**

Standard clear lenses are available in 30° x 60°, 10° x 40° and 10° x 60° optical patterns. Beam softener lenses are also available. Accessory code shall be "g."

Finishes

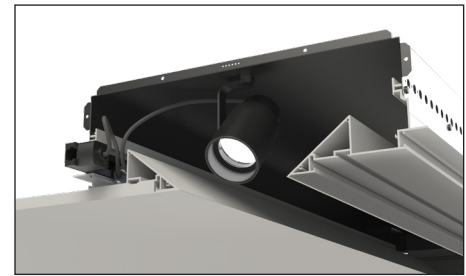
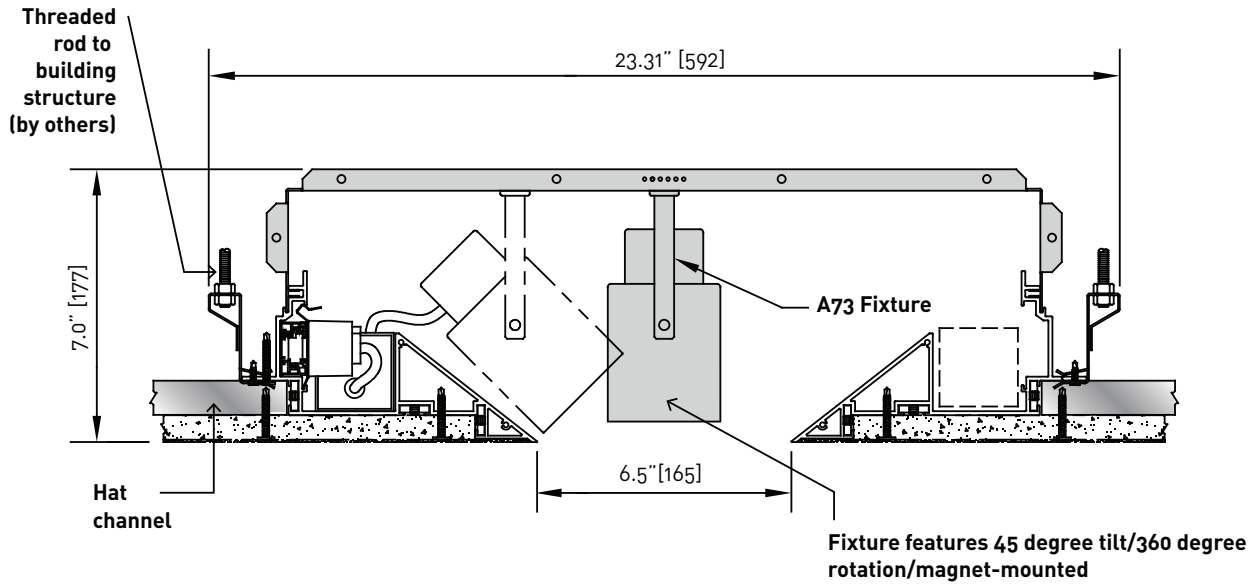
Available in white, black and custom finish.

Dimming

This fixture is provided with an LED Driver suitable for trailing edge dimming. Dimming performance may vary based on dimmer model or system being used. If exact performance is required, Litelab recommends testing the Litelab fixture and specified dimmer.



A73 Fixture shown in H06 Housing



A73 fixture shown in H06 housing.

ACCESSORIES

Spread Lenses

Linear Spread

- OL- 10° x 40°-g
- OL- 10° x 60°-g

Universal Spread

- OL- 30° x 60°-g

Beam Softener

- OL-TD-g (Textured Diffusion)
- OL-DF-g polycarbonate film

Louvers

- LVH/g

Reflectors

- [10] 10° OL-NB-70MM-KIT
- [22] 22° OL-MB-70MM-KIT
- [33] 33° OL-WB-70MM-KIT

FINISHES

Consult with Litelab for other finishes

- P** White
- MB** Black
- CP** Custom Finish