

LED Wallwash

A72



For use in H06 ALS system.

Specify:

 - - - - -

FIXTURE MODEL

LUMENS

ADAPTER

VOLTAGE

CRI

CCT

FINISH

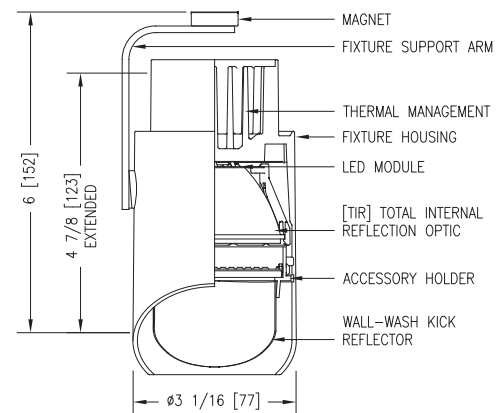
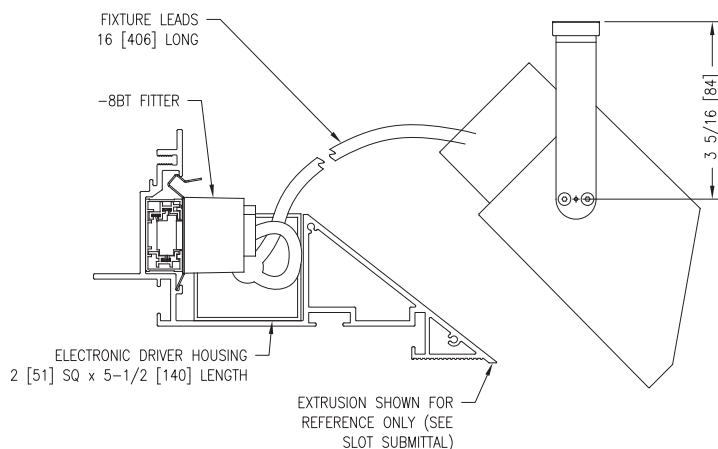
Example:

 - - - - - -

This Litelab fixture features an ultra-high-efficiency LED that allows maximum light output from a small fixture. The CREE CXB engine is available in an architectural range of color temperatures and produces high CRI and R9 values.

LUMENS-CRI	COLOR TEMPERATURE (CCT)			INPUT REQUIREMENTS		
	(select one)			120V	240V	277V
1800-92	27 (2700K)	30 (3000K)	35 (3500K)	0.19A/23W	0.10A/23W	
1300-92	27 (2700K)	30 (3000K)	35 (3500K)	0.12A/15W	0.07A/15W	
1600-98	27 (2700K)	30 (3000K)	35 (3500K)	0.19A/23W	0.10A/23W	
1100-98	27 (2700K)	30 (3000K)	35 (3500K)	0.12A/15W	0.07A/15W	

Features & Benefits



Fixture Description

Single piece die-cast aluminum fixture body allows for high efficiency passive cooling. Deep regressed LED and optic designed for maximum glare control. Fixture to be supplied with baffle, accessory holder and OL-30x60 wallwash spread lens.

Accessory Cartridge

Holds up to two accessories—including a range of lenses, filters and louvers.

Lenses & Accessories**

Standard wallwash spread lens included with fixture. Accessory code shall be "g."

Finishes

Available in white, black and custom finish.

Dimming

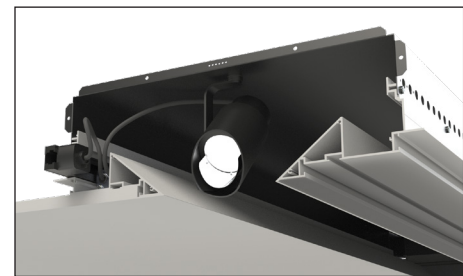
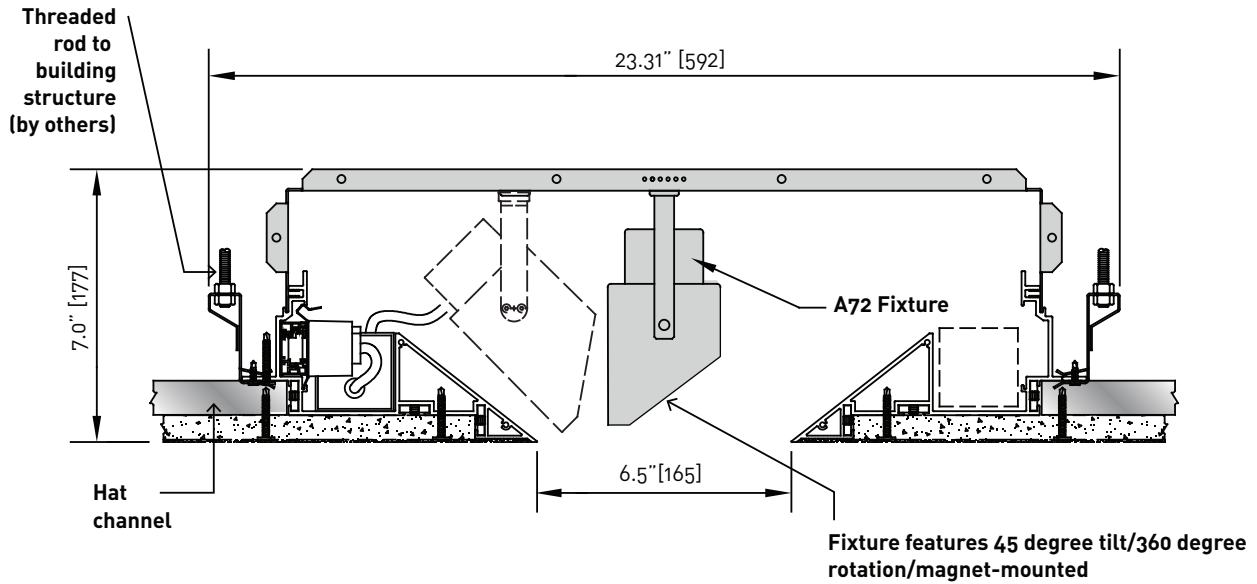
This fixture is provided with an LED Driver suitable for trailing edge dimming. Dimming performance may vary based on dimmer model or system being used. If exact performance is required, Litelab recommends testing the Litelab fixture and specified dimmer.



[Empty box for Job Name]

[Empty box for Fixture Type]

A72 Fixture shown in H06 Housing



A72 fixture shown in H06 housing.

ACCESSORIES

Spread Lenses

Universal Spread

- OL- 30° x 60°-g

FINISHES

Consult with Litelab for other finishes

- P** White
- MB** Black
- CP** Custom Finish