

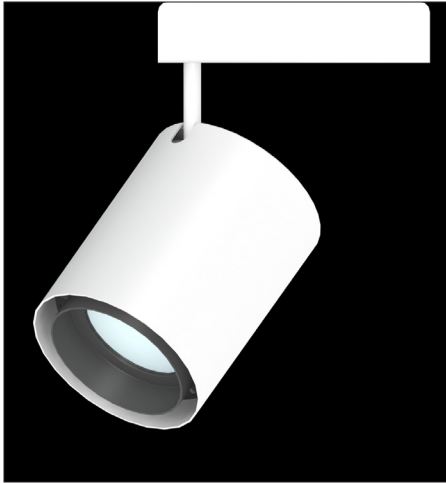
# Museum Collection

Job Name:

Fixture Type:

## LED Object

### M55L3000



#### Specify:

M55  -  -  -   -  -  -

FIXTURE MODEL LUMENS ADAPTER VOLTAGE CRI CCT FINISH REFLECTOR

#### Example:

M55 L3000 9HD A 95 30 P 20

This Litelab fixture features a dedicated XICATO XTM module. To specify an LED module select the lumen, CRI, and color temperature options from below and complete the model number as shown. Adapter, voltage, finish and reflector options are shown on page two.

LUMENS-CRI	COLOR TEMPERATURE (CCT) (select one)			INPUT REQUIREMENTS		
	120V	240V	277V			
3000-95	27 (2700K)	30 (3000K)	35 (3500K)	0.32A/38W	0.17A/40W	0.15A/41W

## Features & Benefits

### Fixture Description

Housing is spun aluminum with perforated back cover for ventilation. Aluminum stem features lockable constant tilt swivel with 90° maximum aiming angle. Fixture to be supplied with baffle/accessories holder and OL-DF-p beam softener film.

### Low Profile External Driver Housing

Adapter plugs into Busway with separate electrical and mechanical connections. An optional switch and other standard Litelab fitters are available.

### Accessory Cartridge

Cartridge design allows for enhanced passive air flow around LED components. Front installed, rotational and lockable, optical matte black cartridge allows up to three accessories—including a range of lenses and filters.

### Lenses & Accessories\*\*

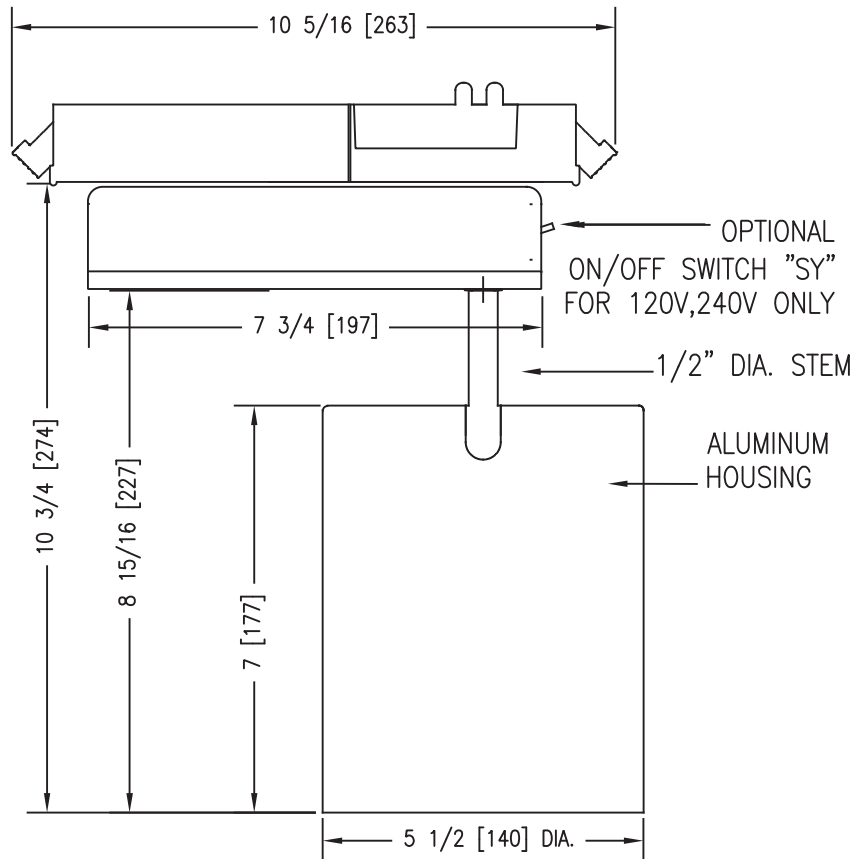
Standard clear lenses are available in 30° x 60°, 10° x 40° and 10° x 60° optical patterns. Beam softener lenses are also available. Accessory size code shall be "p."

### Finishes

Available in black, white, brushed aluminum or custom finish.

### Dimming

Litelab Museum line LED fixtures are provided with LED drivers suitable for use with trailing edge dimmers. Dimming performance may vary depending on dimmer model or system.



251 Elm Street Buffalo, NY 14203 USA  
800-238-4120 • www.litelab.com © 06/20

\*\*See fittings and accessories page for mounting options and accessories.

# Input Fittings & Accessories

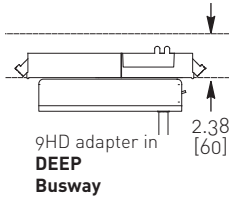
M55 LED

Job Name:

Fixture Type:

## ADAPTERS

### BUSRUN



adapter code	on-off switch	voltage
<input type="checkbox"/> 9HD	<input type="checkbox"/> -SY optional	
<b>-A</b>		
fused plug-in fitter with driver for use with <b>Deep 120V BusRun</b> busway		
<input type="checkbox"/> 9HD	<input type="checkbox"/> -SY	
<b>-D</b>		
fused plug-in fitter with driver for use with <b>Deep 240V "3D" 2-conductor BusRun</b> busway		
<input type="checkbox"/> 9HD	*	
<b>-C</b>		
fused plug-in fitter with driver for use with <b>Deep 277V BusRun</b> busway		
<input type="checkbox"/> 9HD	<input type="checkbox"/> -SY	
<b>-F</b>		
fused plug-in fitter with integral driver for use with <b>Deep 240V "2D" or "6D" 3-conductor BusRun</b> busway		

\* switch available for 120V and 230V only

## REFLECTORS

(20) - 20°	21619-20
(40) - 40°	21619-40
(60) - 60°	21619-60

One reflector included with fixture (specify.) Reflectors are interchangeable. Additional reflectors ordered separately.

## FINISHES

Consult with Litelab for other finishes

- NT** Brushed Aluminum
- P** White
- MB** Black
- CP** Custom Finish

## ACCESSORIES

### Spread Lenses

#### Linear Spread

- OL- 10° x 40°-p
- OL- 10° x 60°-p

#### Universal Spread

- OL- 30° x 60°-p

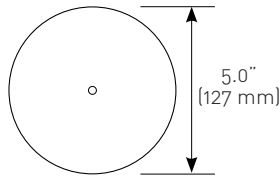
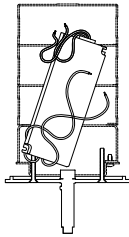
#### Beam Softener

- OL-TD-p (Textured Diffusion)
- OL-DF-p polycarbonate film (included)

**ADAPTERS**

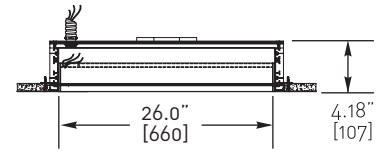
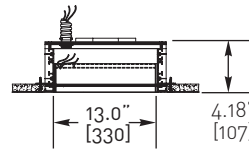
**CANOPY WITH DRIVER (120V, 240V, 277V)**

- 3L-A 120V
- 3L-D 240V
- 3L-C 277V



5" (127mm) diameter x 1/4" (6mm) height machined canopy with electronic driver. (4" diameter x 6" height junction box not included.)

**BUSPOINTS**

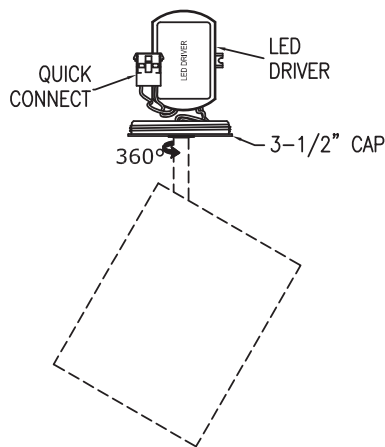


- |  |  |
|--|--|
| <input type="checkbox"/> <b>BP1-08-6A-13</b> 120V  | <input type="checkbox"/> <b>BP1-08-6A-26</b> 120V  |
| <input type="checkbox"/> <b>BP1-08-3D-13</b> 240V  | <input type="checkbox"/> <b>BP1-08-3D-26</b> 240V  |
| <input type="checkbox"/> <b>BP1-08-6D-13*</b> 240V | <input type="checkbox"/> <b>BP1-08-6D-26*</b> 240V |
| <input type="checkbox"/> <b>BP1-08-3C-13</b> 277V  | <input type="checkbox"/> <b>BP1-08-3C-26</b> 277V  |

\* (3-conductor, use "F" voltage code for fixture)

**3-1/2" QUICK CONNECT CANOPY**

3-1/2" canopy voltage

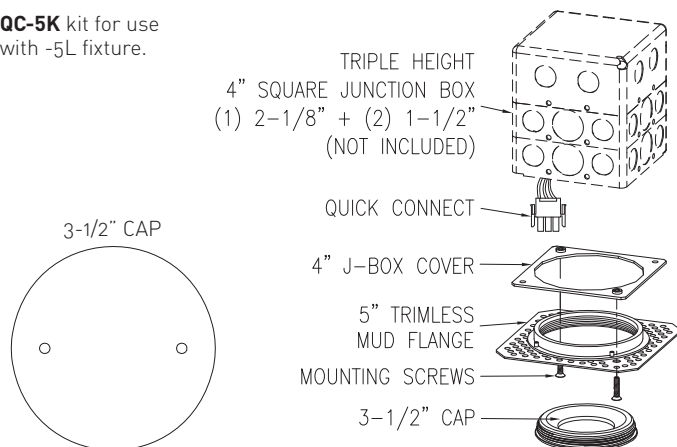


- 5L-A** 120V
- 5L-D** 240V
- 5L-C** 277V

**QC-5K** kit is required with -5L fixture.

**3-1/2" QUICK CONNECT FLANGE KIT**

**QC-5K** kit for use with -5L fixture.



Box fill must be in compliance with National Electric Code Article 314.