

MODEL NUMBER: L-1202-LED-Obj-9I-MB-M2	FIXTURE TYPE:	SCALE: 1/2"=1"	FILE NUMBER: Product\Slotfixtures\Slotssystem\L-1202-9I-MB	DATE: 9/26/2016	NO.	REVISIONS DESCRIPTION	BY	DATE
PROJECT NAME:	APPROX. WEIGHT:	DRAWN BY: M.A.S	CK'D BY:	FIXTURE DESCRIPTION: MR-16 SMALL SLOT SYSTEM W/ MACHINE RING AND OBJECT SNOOT				

**INPUT REQUIREMENTS:**  
120V/60Hz/.13 AMPS

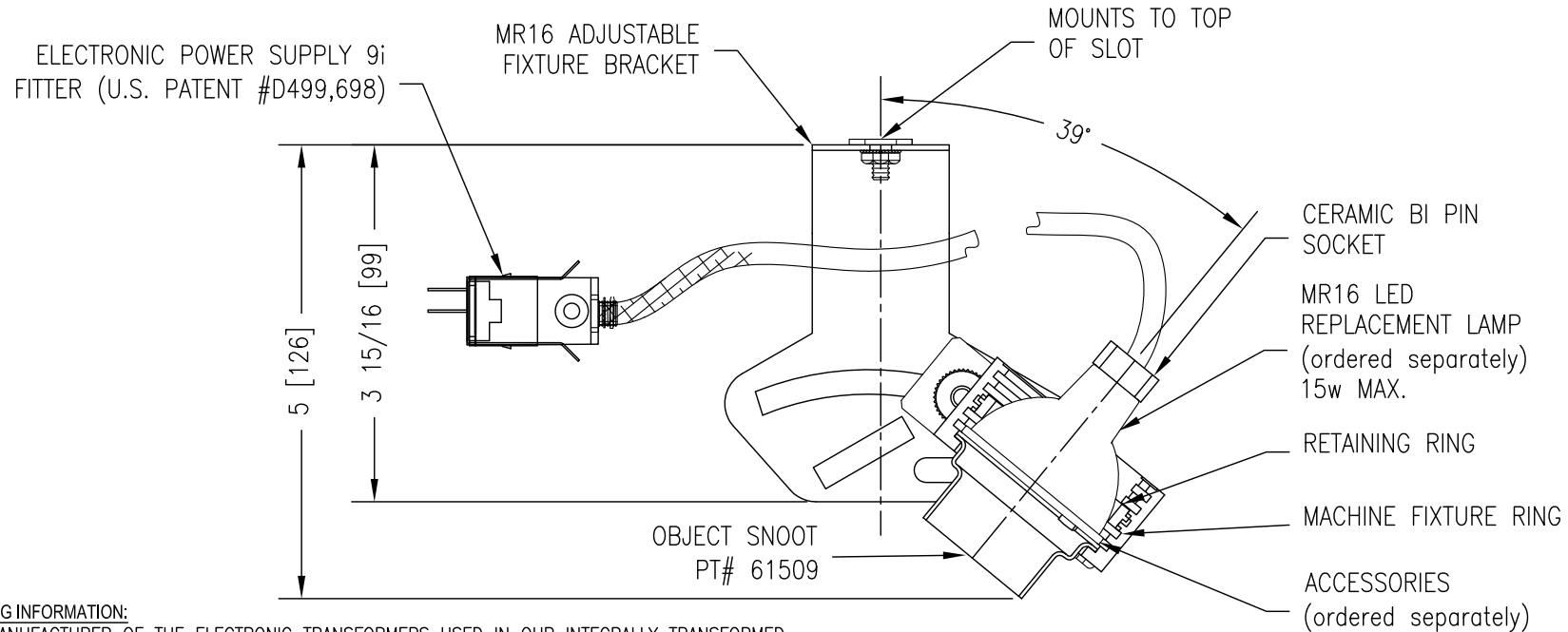
**FINISH:**  
FIXTURE: MB (BLACK)

**LAMP SPEC: (ORDERED SEPARATELY)**  
MR16 15W LED REPLACEMENT LAMP OR  
HALOGEN LAMP (50W MAX.)  
**ACCESSORIES: (ORDERED SEPARATELY)**  
PT#61509 (STRAIGHT SNOOT) MATTE BLACK)

## FIXTURE USED IN SMALL SLOT SYSTEM

SHOWN AS OBJECT FIXTURE

ACCESSORY AND DIMMING COMPATIBILITY IS  
DEPENDENT UPON THE LAMP. USER IS ADVISED  
TO VERIFY THE ACCEPTABILITY OF THIS  
LUMINAIRE WITH THE SELECTED LAMP. LITELAB IS  
NOT RESPONSIBLE FOR INCOMPATIBILITY ISSUES.



**DIMMING INFORMATION:**

THE MANUFACTURER OF THE ELECTRONIC TRANSFORMERS USED IN OUR INTEGRALLY TRANSFORMED LIGHTING FIXTURES SAYS THAT THE TRANSFORMERS ARE SUITABLE FOR "ALL ELV/REVERSE-PHASE/TRAILING EDGE DIMMER SYSTEMS". WHILE WE STAND BEHIND THIS STATEMENT, WE WILL NOT BE RESPONSIBLE FOR ANY NOISE OR OTHER COMPATIBILITY ISSUES WITH ANY DIMMING OR CONTROL SYSTEM AND STRONGLY RECOMMEND THAT THE UNITS BE TESTED BY THE CUSTOMER TO ENSURE THEIR PERFORMANCE SATISFACTION. LITELAB WILL FURNISH UNITS FOR TEST AT THE CUSTOMER'S REQUEST.