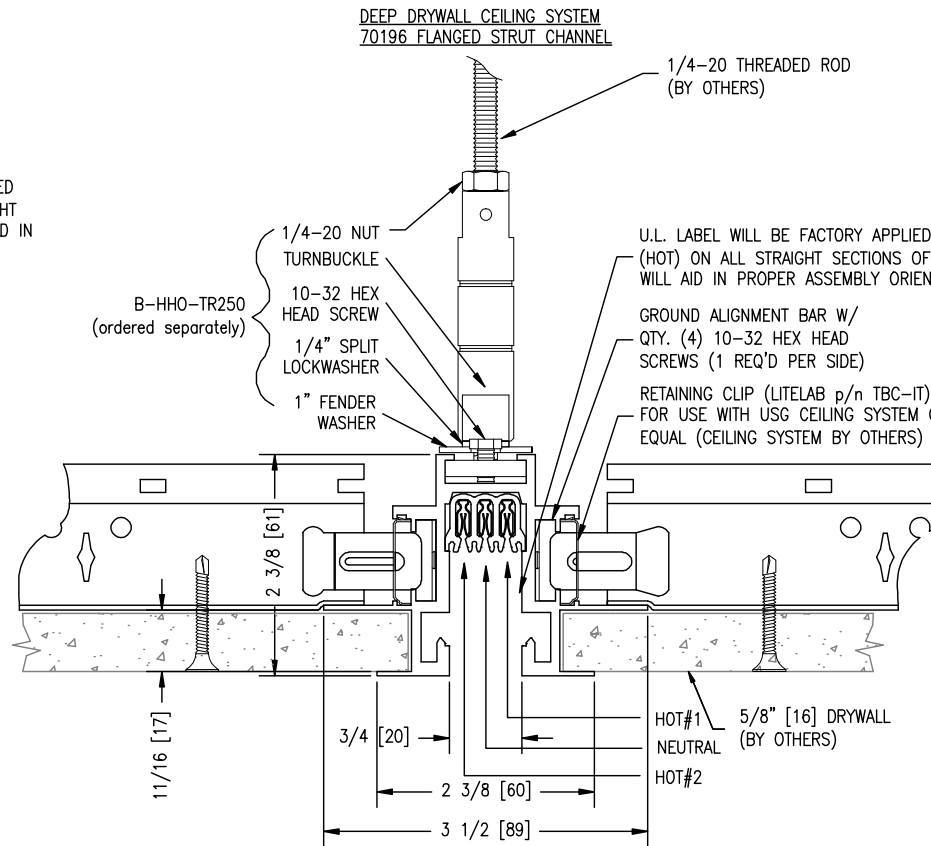
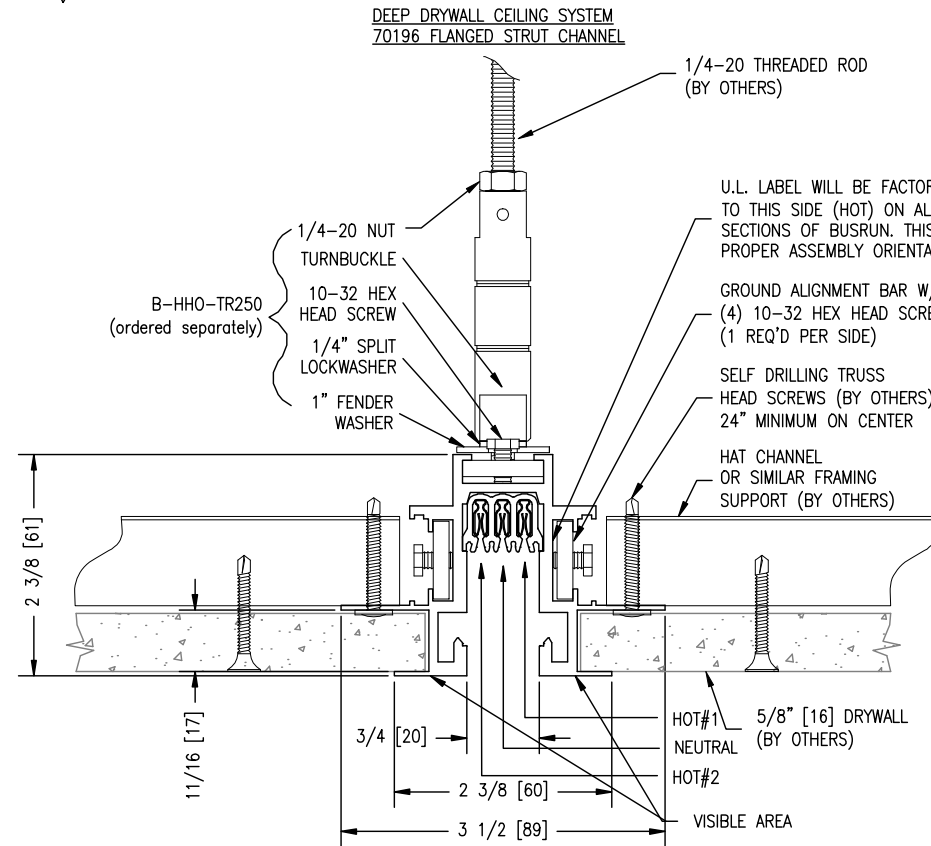
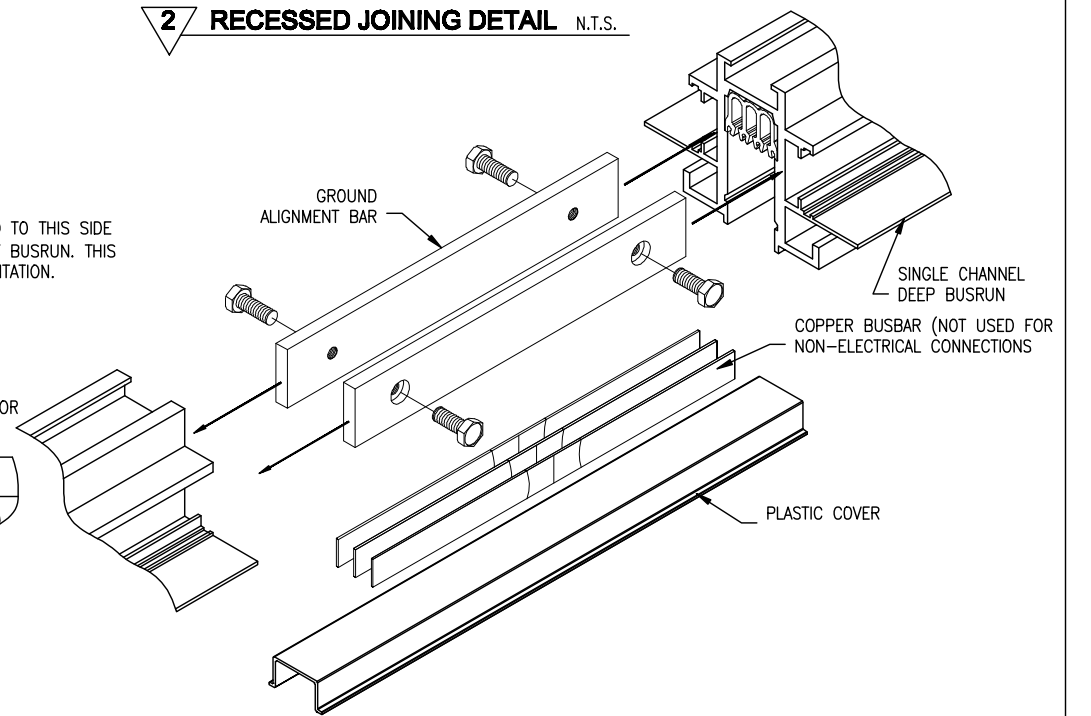


### 1 SECTION VIEW OF BUSRUN

SCALE: 1/2"=1"



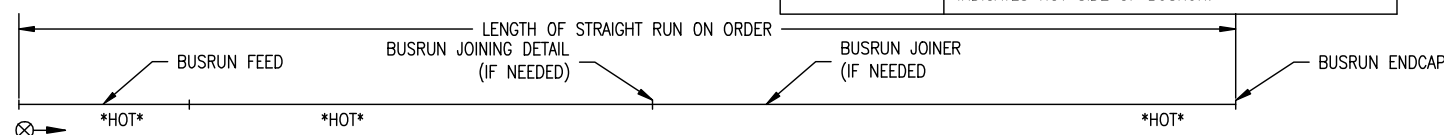
### 2 RECESSED JOINING DETAIL N.T.S.



### 3 TYPICAL STRAIGHT RUN BUSRUN LAYOUT

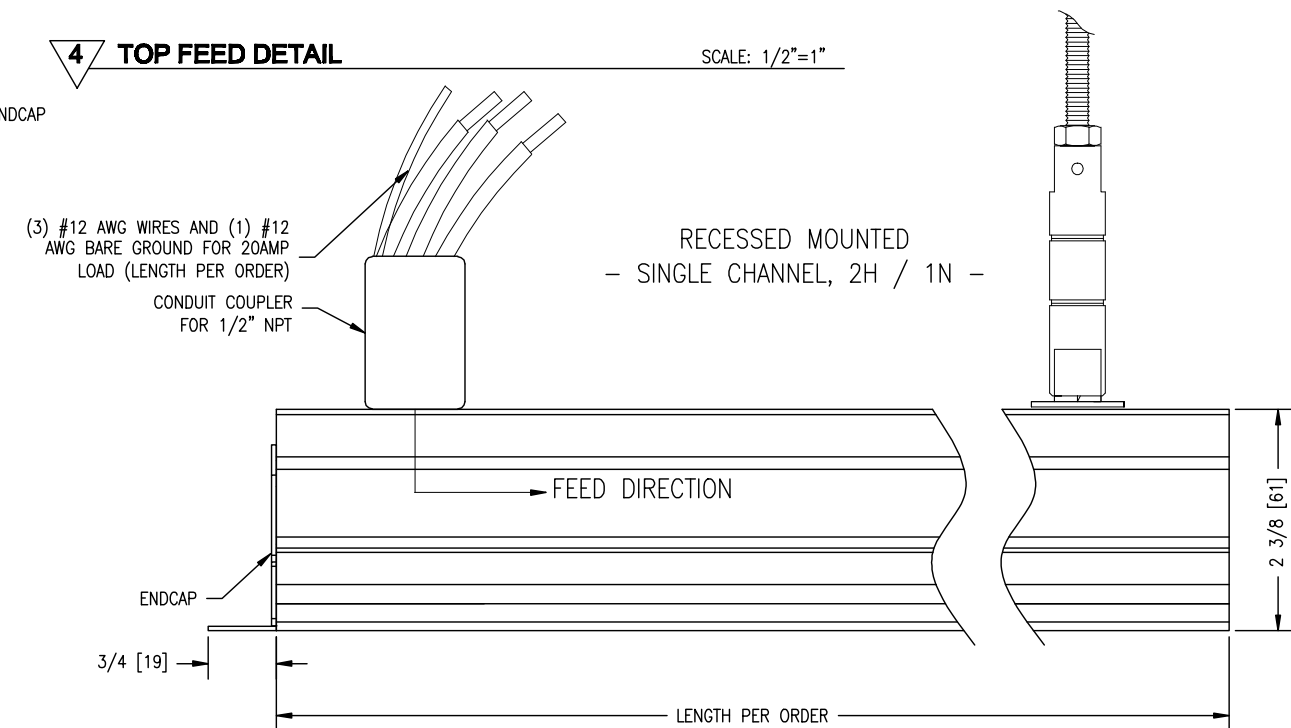
SCALE: N.T.S.

KEY	
SYMBOL	DESCRIPTION
⊗ →	INDICATES LOCATION OF POWER FEED.
*HOT*	INDICATES HOT SIDE OF BUSRUN.



### 4 TOP FEED DETAIL

SCALE: 1/2"=1"



#### NOTES:

- ALL BUSRUN IS SINGLE CHANNEL, 2 HOT /1 NEUTRAL, 120V, DEEP RECESSED MOUNTED (MOUNTED BY OTHERS).
- THIS INSTALLATION IS RECESS MOUNTED DEEP BUSRUN USING THE MOUNTING FLANGE AND CABLE/THREADED ROD SUPPORTS. (MOUNTING HARDWARE BY OTHERS). FASTEN BUSRUN TO CEILING STRUCTURE THROUGH THE MOUNTING FLANGE NO MORE THAN 2'-0" LINEAR APART. FASTEN HANGERS TO ABOVE STRUCTURE NO MORE THAN 4'-0" O.C. AND WITHIN 12" OF THE BEGINNING AND END OF EACH RUN. MAXIMUM LOAD NOT TO EXCEED 30 lbs. PER LINEAR FOOT.
- INSTALLATION SHALL BE IN ACCORDANCE WITH THE NATIONAL ELECTRICAL CODE ARTICLE #368 AND ANY APPLICABLE LOCAL CODES.
- MAXIMUM RATING PER FEED POINT IS 20 AMPS, 5000 A.I.C., 300 VOLTS AC ONLY.
- BUSRUN IS TO BE INSTALLED IN DRY LOCATIONS ONLY.
- FINISH OF BUSRUN: VISIBLE SURFACES TO BE DETERMINED.
- AS NOTED IN SECTION VIEWS, THE HOTS AND THE NEUTRALS INSIDE THE BUSRUN HOUSING ARE NOT SYMMETRICAL. EACH STRAIGHT SECTION OF BUSRUN MUST BE ORIENTATED TO ALIGN ITS HOT #1 TO THE HOT #1 ON THE CONNECTOR IT MOUNTS TO.
- ALL BUSRUN FEEDS CONTAIN STANDARD WHIP OF QTY. (3) #12AWG WIRES (2 HOTS, 1 NEUTRAL) AND (1)#12 AWG GROUND, BUILT IN AT THE FACTORY. CONTRACTOR WIRES CANNOT BE CONNECTED ON SITE AT THE END OF THE BUSRUN. BUSRUN WIRES ARE TO BE RUN THROUGH CONDUIT SUPPLIED BY THE INSTALLING CONTRACTOR ACCORDING TO NATIONAL AND LOCAL CODES. LITELAB WILL PROVIDE A WHIP LENGTH PER ORDER.**