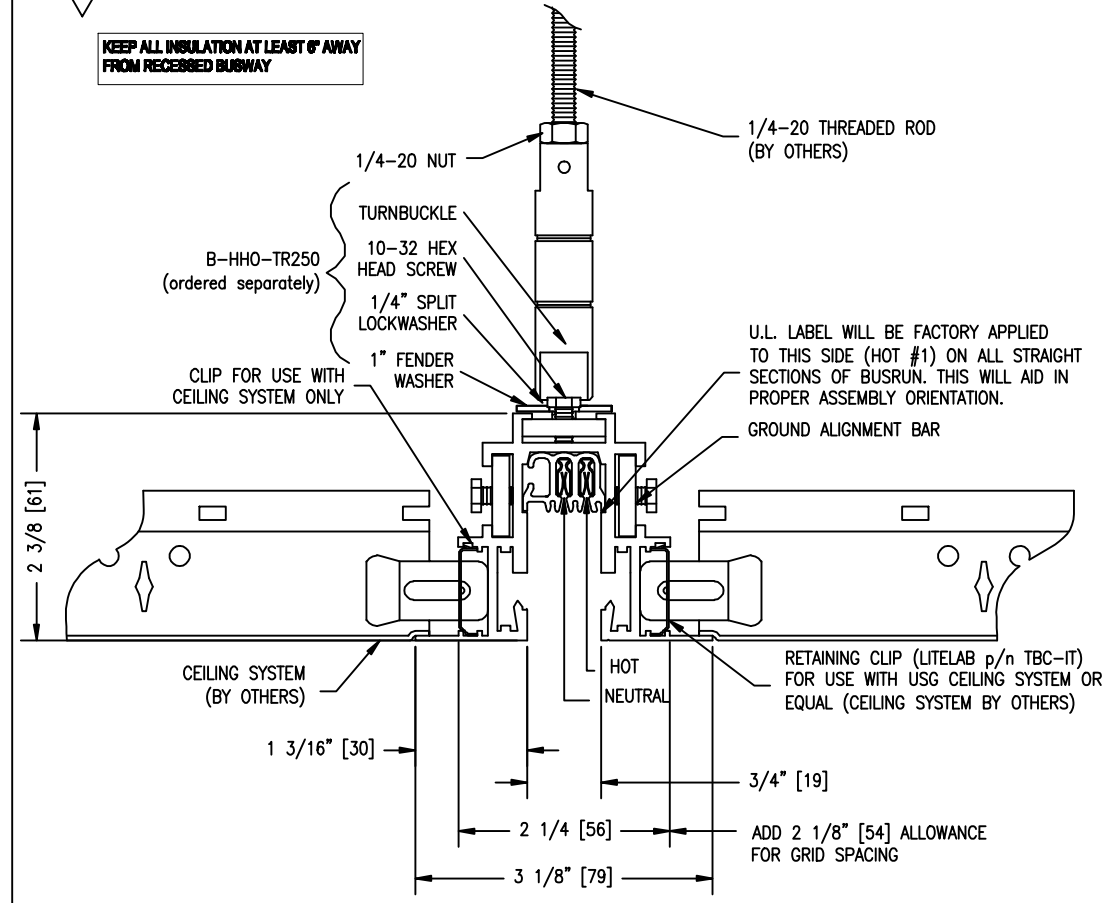
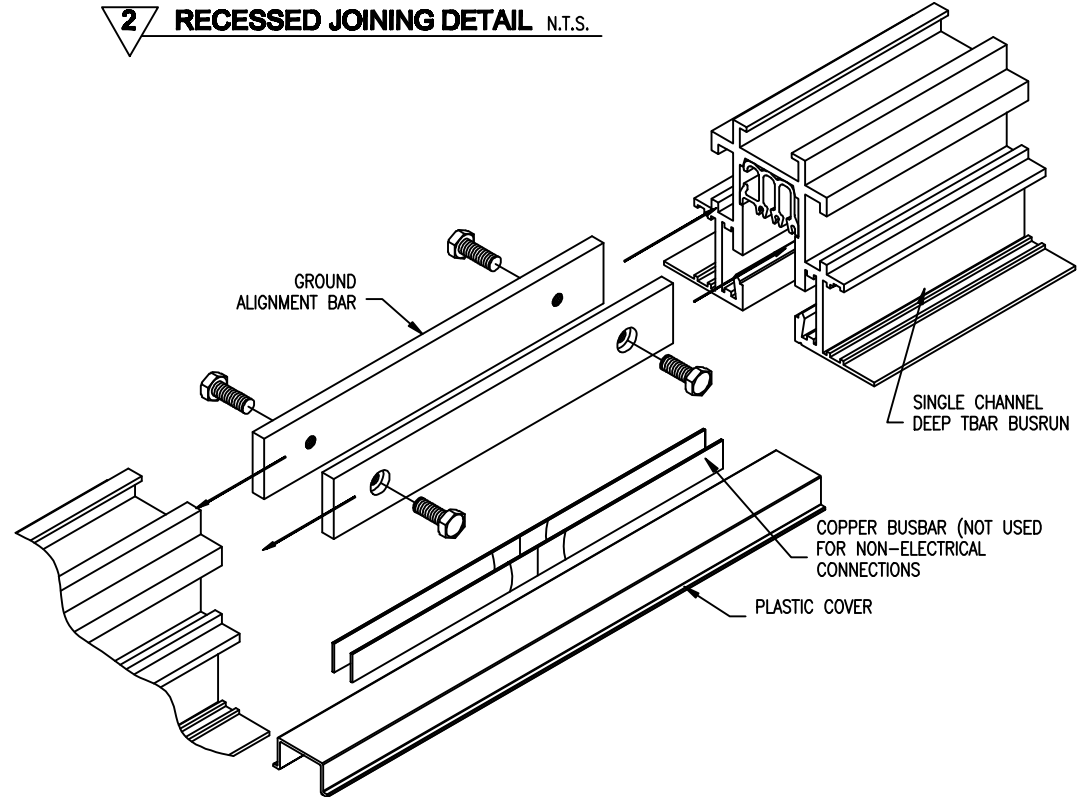


MODEL NUMBER: BUS11-1A	FIXTURE TYPE: BUSRUN	DATE: 5/14/18	SCALE: AS NOTED	FILE NUMBER: InstallationInstructions\Busrun\BUS11-1A-Install	DRAWN BY: S.D.P.	CHECKED BY:	NO.	REVISIONS DESCRIPTION	BY	DATE
PROJECT NAME: BUS-11 TYPICAL STRAIGHT RUN LAYOUT		WEIGHT:		FIXTURE DESCRIPTION: INSTALL INSTRUCTIONS FOR DEEP RECESSED INTEGRATED TBAR BUSRUN						

1 SECTION VIEW OF BUSRUN SCALE: 1/2"=1"

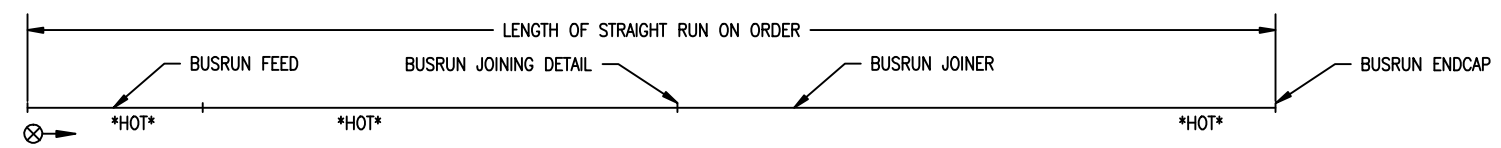


2 RECESSED JOINING DETAIL N.T.S.

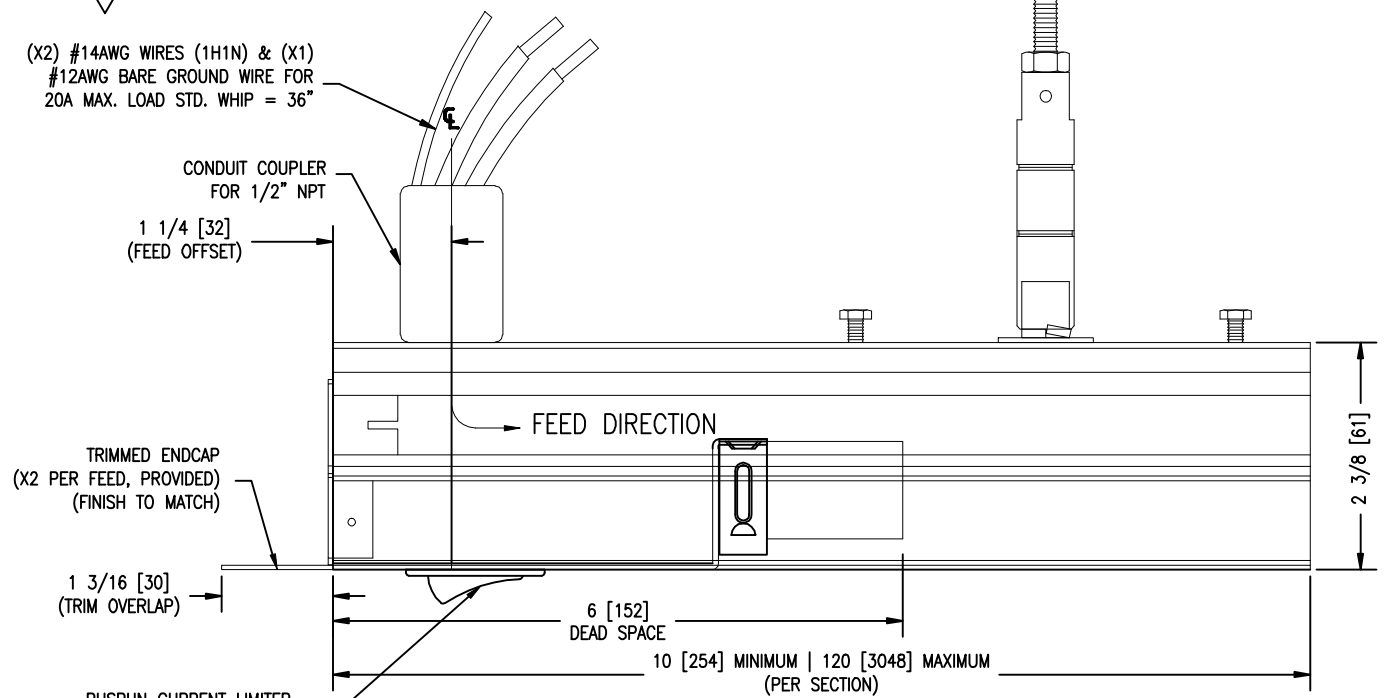


- NOTES:**
- ALL BUSRUN IS SINGLE CIRCUIT, 120V, 1HOT / 1 NEUTRAL DEEP RECESSED IT MOUNTED (MOUNTED BY OTHERS).
 - THIS INSTALLATION IS RECESS MOUNTED DEEP BUSRUN USING THE MOUNTING FLANGE AND CABLE/THREADED ROD SUPPORTS. (MOUNTING HARDWARE BY OTHERS). FASTEN BUSRUN TO CEILING STRUCTURE THROUGH THE MOUNTING FLANGE NO MORE THAN 2'-0" LINEAR APART. FASTEN HANGERS TO ABOVE STRUCTURE NO MORE THAN 4'-0" O.C. AND WITHIN 12" OF THE BEGINNING AND END OF EACH RUN. MAXIMUM LOAD NOT TO EXCEED 30 lbs. PER LINEAR FOOT.
 - INSTALLATION SHALL BE IN ACCORDANCE WITH THE NATIONAL ELECTRICAL CODE ARTICLE #368 AND ANY APPLICABLE LOCAL CODES.
 - MAXIMUM RATING PER FEED POINT IS XXX AMPS, 5000 A.I.C., 300 VOLTS AC ONLY.
 - CIRCUIT BREAKER AT PANEL NOT TO EXCEED 15 AMP MAXIMUM.
 - BUSRUN IS TO BE INSTALLED IN DRY LOCATIONS ONLY.
 - FINISH OF BUSRUN: WHITE (P)
 - AS NOTED IN SECTION VIEWS, THE HOTS AND THE NEUTRALS INSIDE THE BUSRUN HOUSING ARE NOT SYMMETRICAL. EACH STRAIGHT SECTION OF BUSRUN MUST BE ORIENTATED TO ALIGN ITS HOT #1 TO THE HOT #1 ON THE CONNECTOR IT MOUNTS TO.
 - ALL BUSRUN FEEDS CONTAIN STANDARD WHIP OF QTY. (2) #14AWG WIRES (1 HOT, 1 NEUTRAL) AND (1) #12 BARE GROUND WIRE BUILT IN AT THE FACTORY. CONTRACTOR WIRES CANNOT BE CONNECTED ON SITE AT THE END OF THE BUSRUN. BUSRUN WIRES ARE TO BE RUN THROUGH CONDUIT SUPPLIED BY THE INSTALLING CONTRACTOR ACCORDING TO NATIONAL AND LOCAL CODES. LITELAB WILL PROVIDE A STANDARD WHIP LENGTH OF 36".**
 - BUSRUN JOINER CAN BE CUT TO LENGTH IN THE FIELD. BUSRUN FEED CAN NOT BE CUT IN FIELD.**

3 TYPICAL STRAIGHT RUN BUSRUN LAYOUT SCALE: N.T.S.



4 TOP FEED DETAIL SCALE: 1/2"=1"



KEY	
SYMBOL	DESCRIPTION
⊗→	INDICATES LOCATION OF POWER FEED.
HOT	INDICATES HOT SIDE OF BUSRUN.