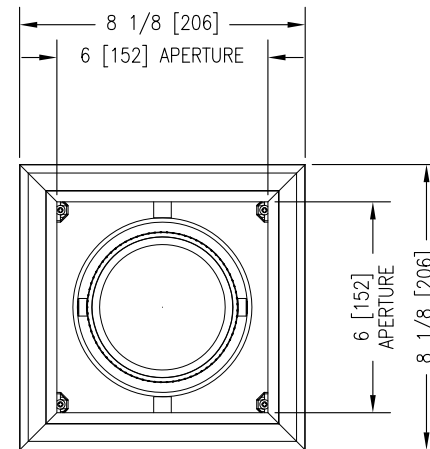
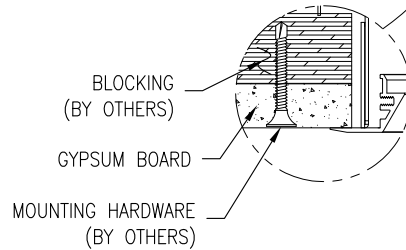
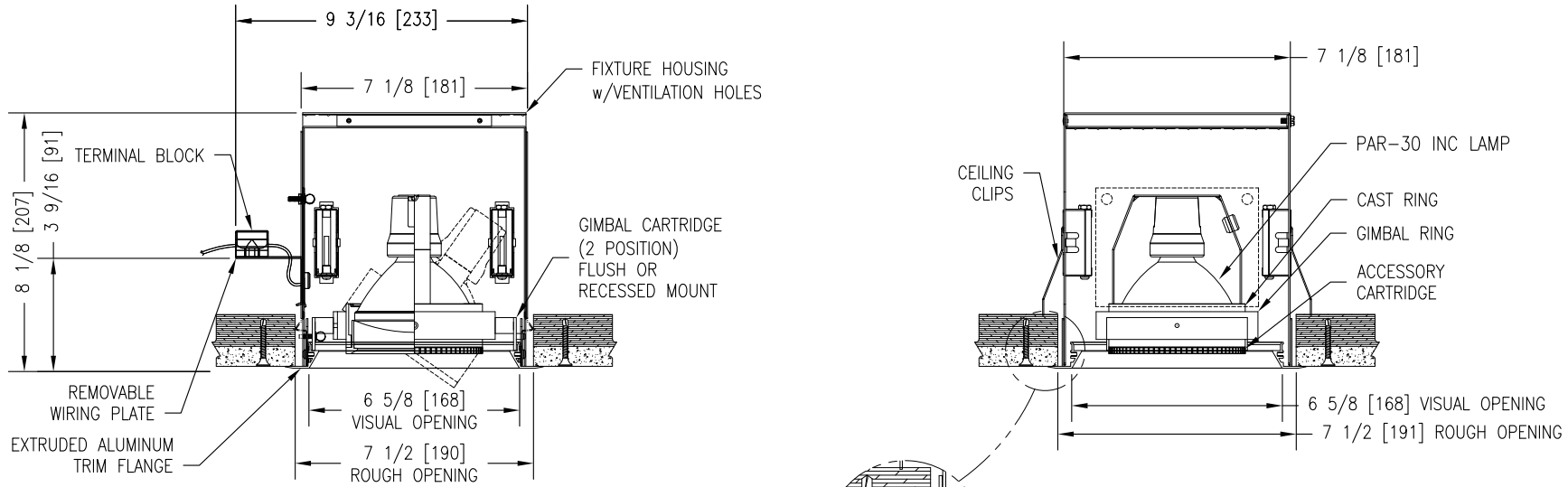


MODEL NUMBER: B-B1-PAR30-Watt-230-TR-MB/Color	FIXTURE TYPE: N/A	SCALE: NTS	FILE NUMBER: SlotFix.\B-Line-SizeB-TR-230.dwg	DATE: 6/20/07	NO.	REVISIONS DESCRIPTION	BY	DATE
PROJECT NAME:	APPROX. WEIGHT: N/A	DRAWN BY: BJG	CK'D BY: SDP	FIXTURE DESCRIPTION: 1 LAMP RECESSED GIMBAL DOWNLIGHT - TRIMMED				



OPTIONAL BUTTERFLY BRACKETS
SHIPPED SEPARATELY

INPUT REQUIREMENTS:

230V (75W-.4A) 50/60Hz

LAMP SPEC: (ORDERED SEPARATELY)

PAR30 75W

ACCESSORIES:

ORDERED SEPARATELY (SIZE P)

FINISHES: (MB/Color)

(HOUSING INTERIOR IS BLACK)
(SPECIFY TRIM-CARTRIDGE ASSEMBLY COLOR)

WHITE (P)

MATTE BLACK (MB)

BEADBLAST (BB)

CUSTOM PAINT (CP)

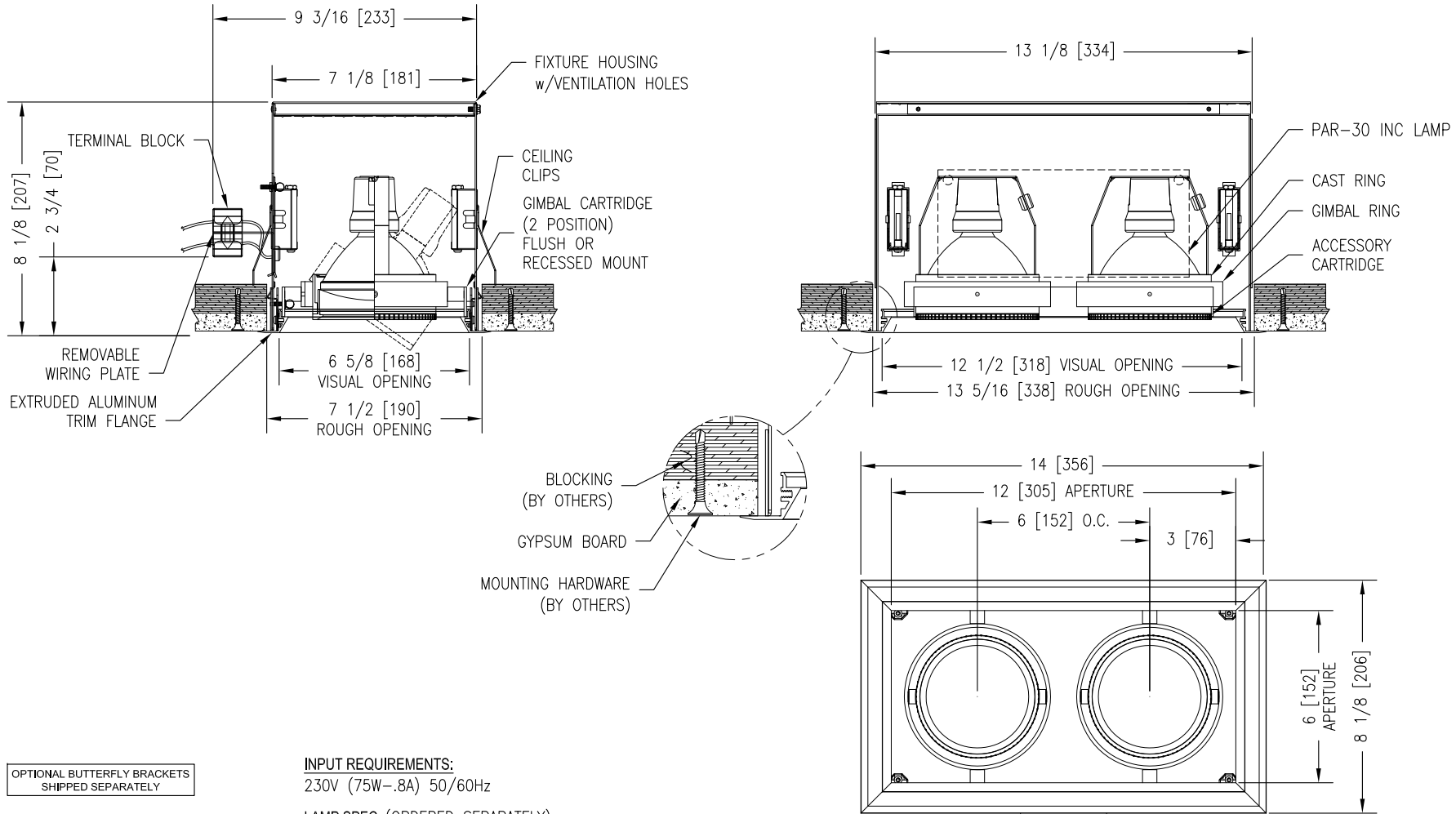
MAX TILT OF FIXTURE HEAD:
SHORT AXIS IS 45° FROM VERTICAL
LONG AXIS IS 45° FROM VERTICAL

INSTALLATION NOTE:
WHEN WIRING THIS FIXTURE, ALLOW ENOUGH LENGTH OF FLEXIBLE CONDUIT, SUCH THAT THE WIRING COMPARTMENT CAN BE COMPLETELY REMOVED FOR SERVICING THROUGH THE APERTURE OF THE FIXTURE.

INSTALLATION INFORMATION:
DO NOT INSTALL INSULATION WITHIN 3" (76mm) OF ANY PART OF THIS FIXTURE. DO NOT BLOCK VENT HOLES ON FIXTURE. MAXIMUM AMBIENT TEMPERATURE NOT TO EXCEED 35°C.

QTY. (1) TERMINAL BLOCK
PROVIDED FOR INPUT POWER
(BY OTHERS)

MODEL NUMBER: B-B2-PAR30-Watt-Voltage-TR-MB/Color	FIXTURE TYPE: N/A	SCALE: NTS	FILE NUMBER: SlotFix.\B-Line-SizeB-TR.dwg	DATE: 6/20/07	NO.	REVISIONS DESCRIPTION	BY	DATE
PROJECT NAME:	APPROX. WEIGHT: N/A	DRAWN BY: BJG	CK'D BY: SDP	FIXTURE DESCRIPTION: 2 LAMP RECESSED GIMBAL DOWNLIGHT - TRIMMED				



OPTIONAL BUTTERFLY BRACKETS SHIPPED SEPARATELY

INPUT REQUIREMENTS:

230V (75W-.8A) 50/60Hz

LAMP SPEC: (ORDERED SEPARATELY)

PAR30 75W

ACCESSORIES:

ORDERED SEPARATELY (SIZE P)

FINISHES: (MB/Color)

(HOUSING INTERIOR IS BLACK)
(SPECIFY TRIM-CARTRIDGE ASSEMBLY COLOR)

WHITE (P)

MATTE BLACK (MB)

BEADBLAST (BB)

CUSTOM PAINT (CP)

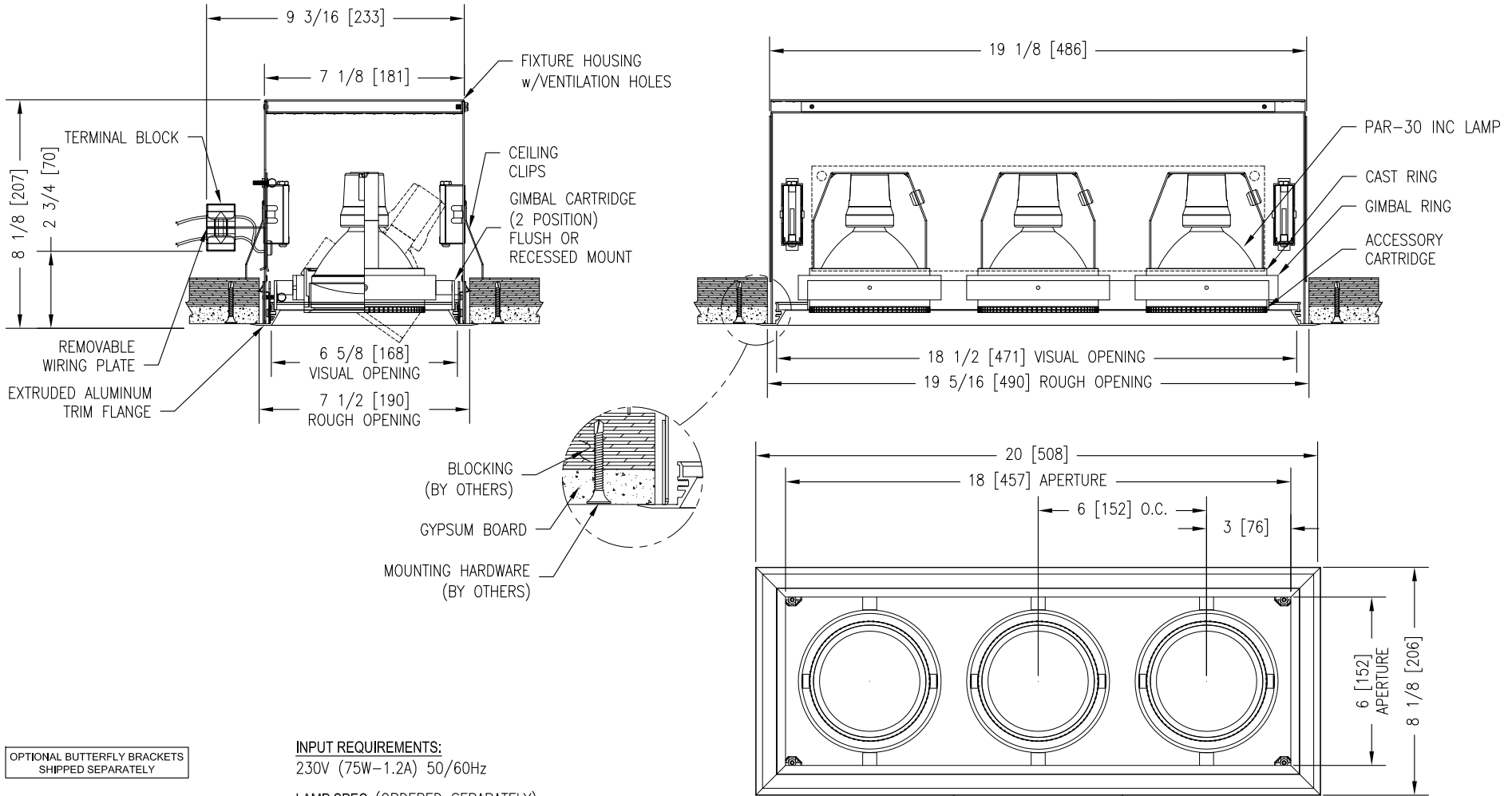
MAX TILT OF FIXTURE HEAD:
SHORT AXIS IS 45° FROM VERTICAL
LONG AXIS IS 45° FROM VERTICAL

INSTALLATION NOTE:
WHEN WIRING THIS FIXTURE, ALLOW ENOUGH LENGTH OF FLEXIBLE CONDUIT, SUCH THAT THE WIRING COMPARTMENT CAN BE COMPLETELY REMOVED FOR SERVICING THROUGH THE APERTURE OF THE FIXTURE.

INSTALLATION INFORMATION:
DO NOT INSTALL INSULATION WITHIN 3" (76mm) OF ANY PART OF THIS FIXTURE. DO NOT BLOCK VENT HOLES ON FIXTURE. MAXIMUM AMBIENT TEMPERATURE NOT TO EXCEED 35°C.

QTY. (2) TERMINAL BLOCK PROVIDED FOR INPUT POWER (BY OTHERS)

MODEL NUMBER: B-B3-PAR30-Watt-230-TR-MB/Color	FIXTURE TYPE: N/A	SCALE: NTS	FILE NUMBER: SlotFix.\B-Line-SizeB-TR-230.dwg	DATE: 6/20/07	NO.	REVISIONS DESCRIPTION	BY	DATE
PROJECT NAME:	APPROX. WEIGHT: N/A	DRAWN BY: BJG	CK'D BY: SDP	FIXTURE DESCRIPTION: 3 LAMP RECESSED GIMBAL DOWNLIGHT - TRIMMED				



OPTIONAL BUTTERFLY BRACKETS SHIPPED SEPARATELY

INPUT REQUIREMENTS:
230V (75W-1.2A) 50/60Hz

LAMP SPEC: (ORDERED SEPARATELY)
PAR30 75W

ACCESSORIES:
ORDERED SEPARATELY (SIZE P)

FINISHES: (MB/Color)
(HOUSING INTERIOR IS BLACK)
(SPECIFY TRIM-CARTRIDGE ASSEMBLY COLOR)

WHITE (P)
MATTE BLACK (MB)
BEADBLAST (BB)
CUSTOM PAINT (CP)

MAX TILT OF FIXTURE HEAD:
SHORT AXIS IS 45° FROM VERTICAL
LONG AXIS IS 45° FROM VERTICAL

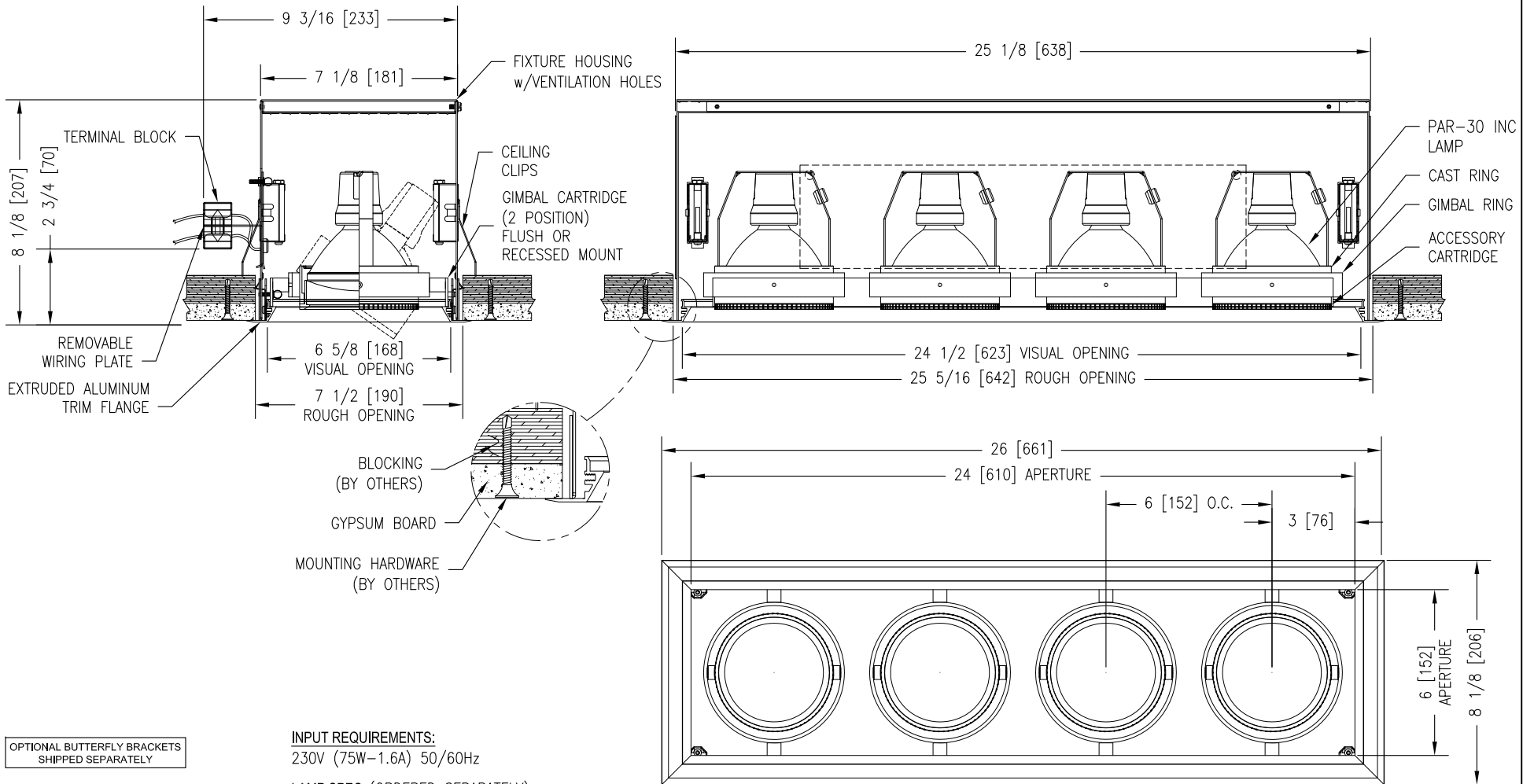
INSTALLATION NOTE:
WHEN WIRING THIS FIXTURE, ALLOW ENOUGH LENGTH OF FLEXIBLE CONDUIT, SUCH THAT THE WIRING COMPARTMENT CAN BE COMPLETELY REMOVED FOR SERVICING THROUGH THE APERTURE OF THE FIXTURE.

INSTALLATION INFORMATION:
DO NOT INSTALL INSULATION WITHIN 3" (76mm) OF ANY PART OF THIS FIXTURE. DO NOT BLOCK VENT HOLES ON FIXTURE. MAXIMUM AMBIENT TEMPERATURE NOT TO EXCEED 35°C.

QTY. (3) TERMINAL BLOCK PROVIDED FOR INPUT POWER (BY OTHERS)



MODEL NUMBER: B-B4-PAR30-Watt-230-TR-MB/Color	FIXTURE TYPE: N/A	SCALE: NTS	FILE NUMBER: SlotFix.\B-Line-SizeB-TR-230.dwg	DATE: 6/20/07	NO.	REVISIONS DESCRIPTION	BY	DATE
PROJECT NAME:	APPROX. WEIGHT: N/A	DRAWN BY: BJG	CK'D BY: SDP	FIXTURE DESCRIPTION: 4 LAMP RECESSED GIMBAL DOWNLIGHT - TRIMMED				



OPTIONAL BUTTERFLY BRACKETS SHIPPED SEPARATELY

MAX TILT OF FIXTURE HEAD:
SHORT AXIS IS 45° FROM VERTICAL
LONG AXIS IS 45° FROM VERTICAL

INSTALLATION NOTE:
WHEN WIRING THIS FIXTURE, ALLOW ENOUGH LENGTH OF FLEXIBLE CONDUIT, SUCH THAT THE WIRING COMPARTMENT CAN BE COMPLETELY REMOVED FOR SERVICING THROUGH THE APERTURE OF THE FIXTURE.

INSTALLATION INFORMATION:
DO NOT INSTALL INSULATION WITHIN 3" (76mm) OF ANY PART OF THIS FIXTURE. DO NOT BLOCK VENT HOLES ON FIXTURE. MAXIMUM AMBIENT TEMPERATURE NOT TO EXCEED 35°C.

INPUT REQUIREMENTS:
230V (75W-1.6A) 50/60Hz

LAMP SPEC: (ORDERED SEPARATELY)
PAR30 75W

ACCESSORIES:
ORDERED SEPARATELY (SIZE P)

FINISHES: (MB/Color)
(HOUSING INTERIOR IS BLACK)
(SPECIFY TRIM-CARTRIDGE ASSEMBLY COLOR)
WHITE (P)

MATTE BLACK (MB)
BEADBLAST (BB)
CUSTOM PAINT (CP)

QTY. (4) TERMINAL BLOCK PROVIDED FOR INPUT POWER (BY OTHERS)