

TR3



job name:

fixture type:

Specify: TR3 -

BUSPORT MODEL

FINISH

example: TR3 -ST

BusPort Features

- Retractable power and support receptacle. Unit can be furnished with up to 6 receptacles for 120, 230 or 277 volts as required.
- Furnished with two integral wiring compartments, accessible while in the down position, eliminating the need for ceiling access.
- Capable of supporting up to 2500lbs [1130kg] with pipe, electrified bus or truss which can be mounted in two positions.
- A non-electrical model is available as a support unit only.
- Equipped with ceiling flange detail for drywall or T-Bar ceiling.

Ratings



Features & Dimensions

TR3 shown

Power Connections

Two .75" [19] flexible FMC conduits for electrical connections. Feed wires feed thru conduit to wiring compartments. *Add 'EX' to model number for 25mm conduit adapters.

Mounting

Two 16" [406] long, 4" [101] high mounting flanges predrilled for up to 8 mounting points to building structure. Use grade 5 hardware.

Ceiling Finish

Aluminum trim with flange suitable for .625" [16] drywall and drop ceiling. Flange hidden behind cover plate when retracted.

Receptacle/Wiring Compartment

Two chambers for up to three 20A circuits each or may be wired for audio, video or data. Two blank receptacle plates supplied. Pre-punched plates available separately.

Support Mounts

Two sets of 2" [52] holes suitable for 1.5" [33] schedule-40 [STD] steel pipe are furnished at directions 90° apart. Each position has lock pins for safety. Consult for pipe, Bus or truss mounting options suitable for your needs.

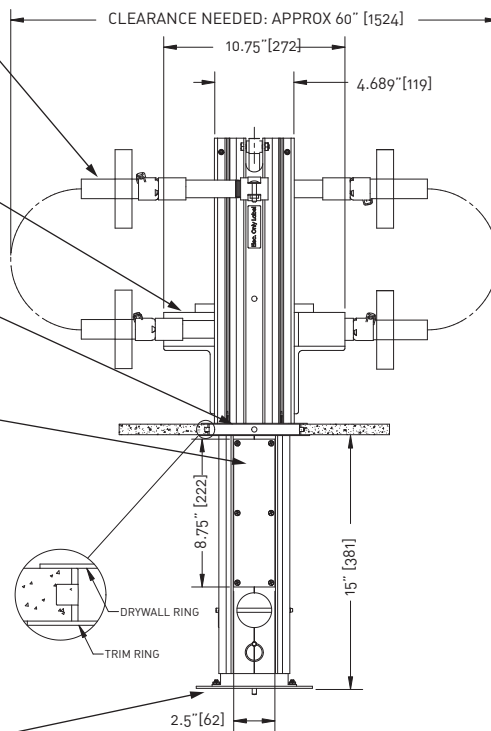
Coverplate/Locking Lever

6.875" [175] dia. coverplate lays flush against trim ring when unit is stowed. Spring latch secures unit in stowed position and unlocks it for use. Cover plate finish is white (P) unless otherwise specified.

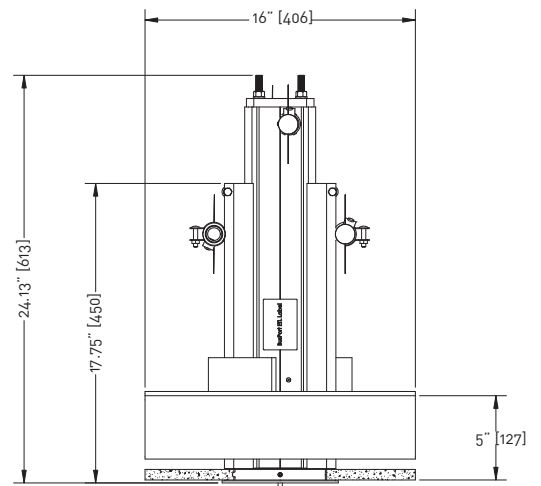
Finishes

Standard finish in durable powdercoat silvertone (ST) unless otherwise specified. Also available in white (P) and black (MB).

SIDE VIEW [EXTENDED]



FRONT VIEW [RETRACTED]



BOTTOM VIEW

