

**TR3-02**



**video busport**

job name:

fixture type:

Specify: **TR3-02** -

BUSPORT MODEL

FINISH

example: TR3-02 - ST

**BusPort Features**

- Retractable power and support receptacle. Unit can be furnished with up to 2 receptacles for 120, 230 or 277 volts as required.
- Furnished with two integral wiring compartments, accessible while in the down position, eliminating the need for ceiling access.
- Supports projectors up to 25lbs [12kg].
- Equipped with ceiling flange detail for drywall or T-Bar ceiling.

**Ratings**



**Features & Dimensions**

**TR3-02 shown**

**Power Connections**

Two .75" [19] flexible FMC conduits for electrical connections. Feed wires feed thru conduit to wiring compartments. \*Add 'EX' to model number for 25mm conduit adapters.

**Mounting**

Two 16" [406] long, 2" [52] high mounting flanges predrilled for up to 8 mounting points to building structure. Use grade 5 hardware.

**Ceiling Finish**

Aluminum trim with flange suitable for .625" [16] drywall and drop ceiling. Flange hidden behind cover plate when retracted.

**Receptacle/Wiring Compartment**

Two chambers for up to one 20A circuit each or may be wired for audio, video or data. Two blank receptacle plates supplied. Pre-punched plates available separately.

**Support Mounts**

One set of 2" [52] holes suitable for 1.5" [33] schedule-40 [STD] steel pipe is furnished. The position has lock pins for safety. Consult factory for information regarding pipe, Bus or truss mounting options suitable for your needs.

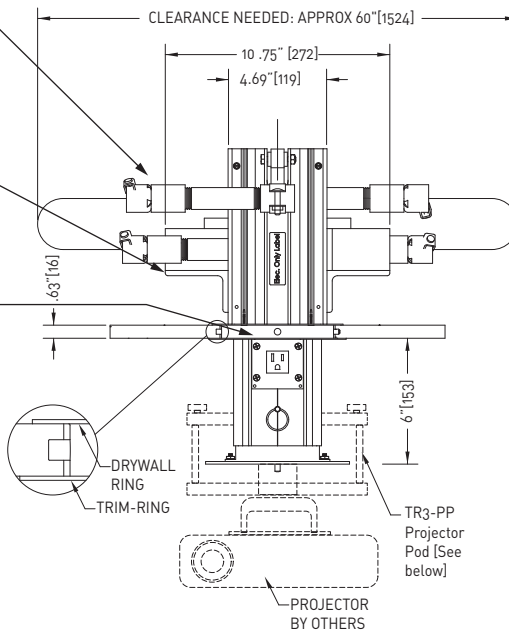
**Coverplate/Locking Lever**

6.875" [175] dia. coverplate lays flush against trim ring when unit is stowed. Spring latch secures unit in stowed position and unlocks it for use. Cover plate finish is white (P) unless otherwise specified.

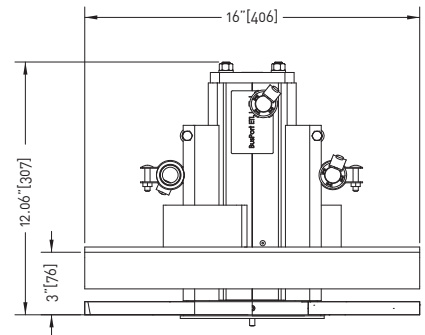
**Finishes**

Standard finish in durable powdercoat silvertone(ST) unless otherwise specified. Also available in white (P) and black (MB).

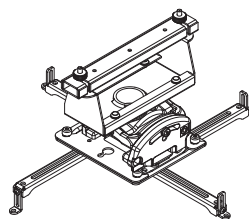
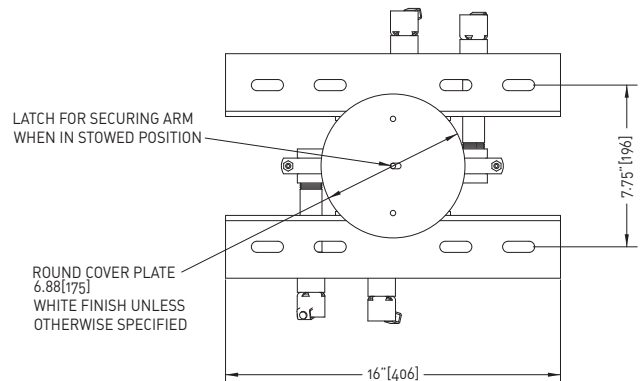
**SIDE VIEW [EXTENDED]**



**FRONT VIEW [RETRACTED]**



**BOTTOM VIEW**



**PROJECTOR PORT ASSEMBLY**

- TR3-PP-W (WHITE)
- TR3-PP-B (BLACK)
- TR3-PP-S (SILVER)