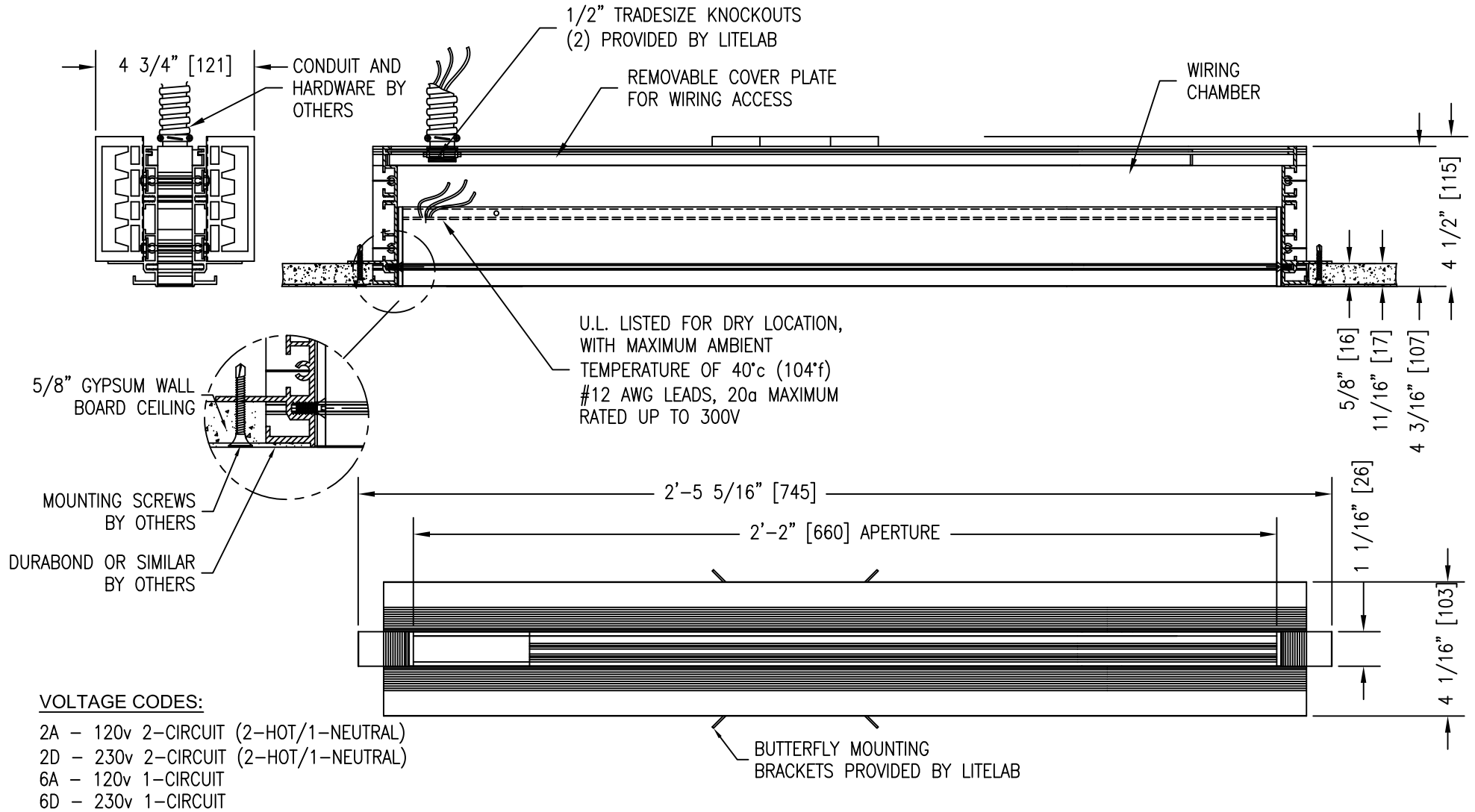


MODEL NUMBER: BP1-08-voltage-26	FIXTURE TYPE: SCALE: 3"=1'-0"	FILE NUMBER: LL\SW\BP\NB\BP1-08-xx-26.dwg	DATE: 11/5/19	NO.	REVISIONS DESCRIPTION	BY	DATE
PROJECT NAME:	APPROX. WEIGHT: 2.5 lb./ 1.13 Kg	DRAWN BY: OEL	CK'D BY:	FIXTURE DESCRIPTION: BUSPOINT - DOUBLE			

SEE BELOW FOR VOLTAGE CODES



EXAMPLE: BP1-08-1A-23