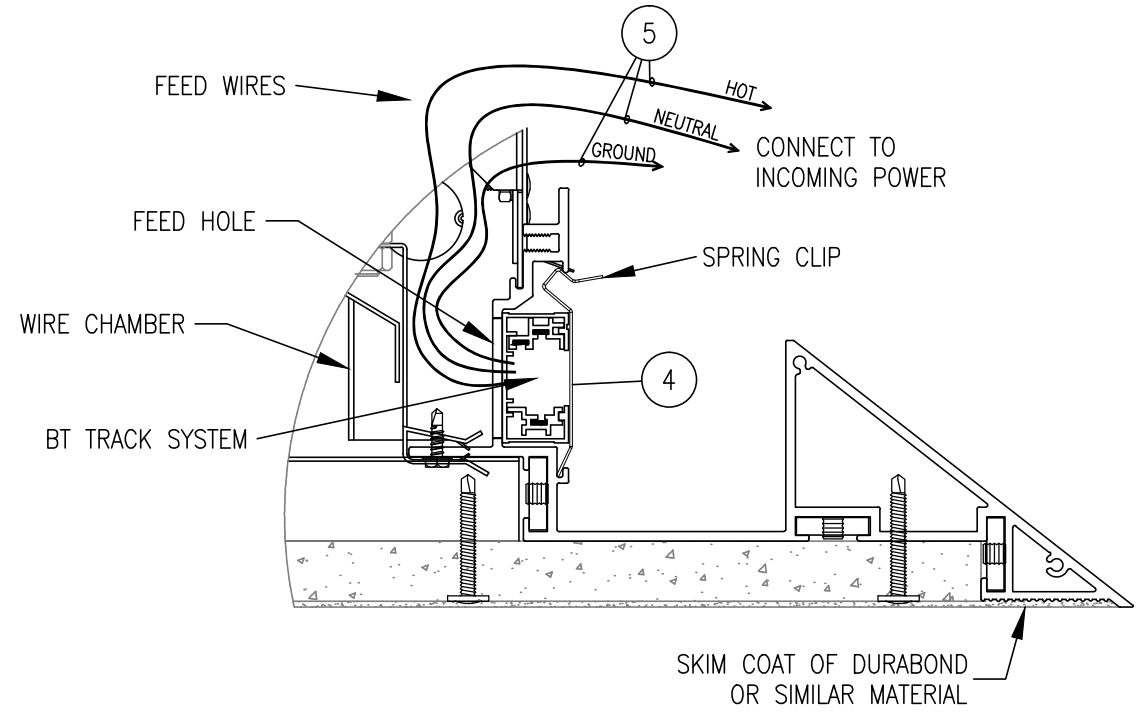
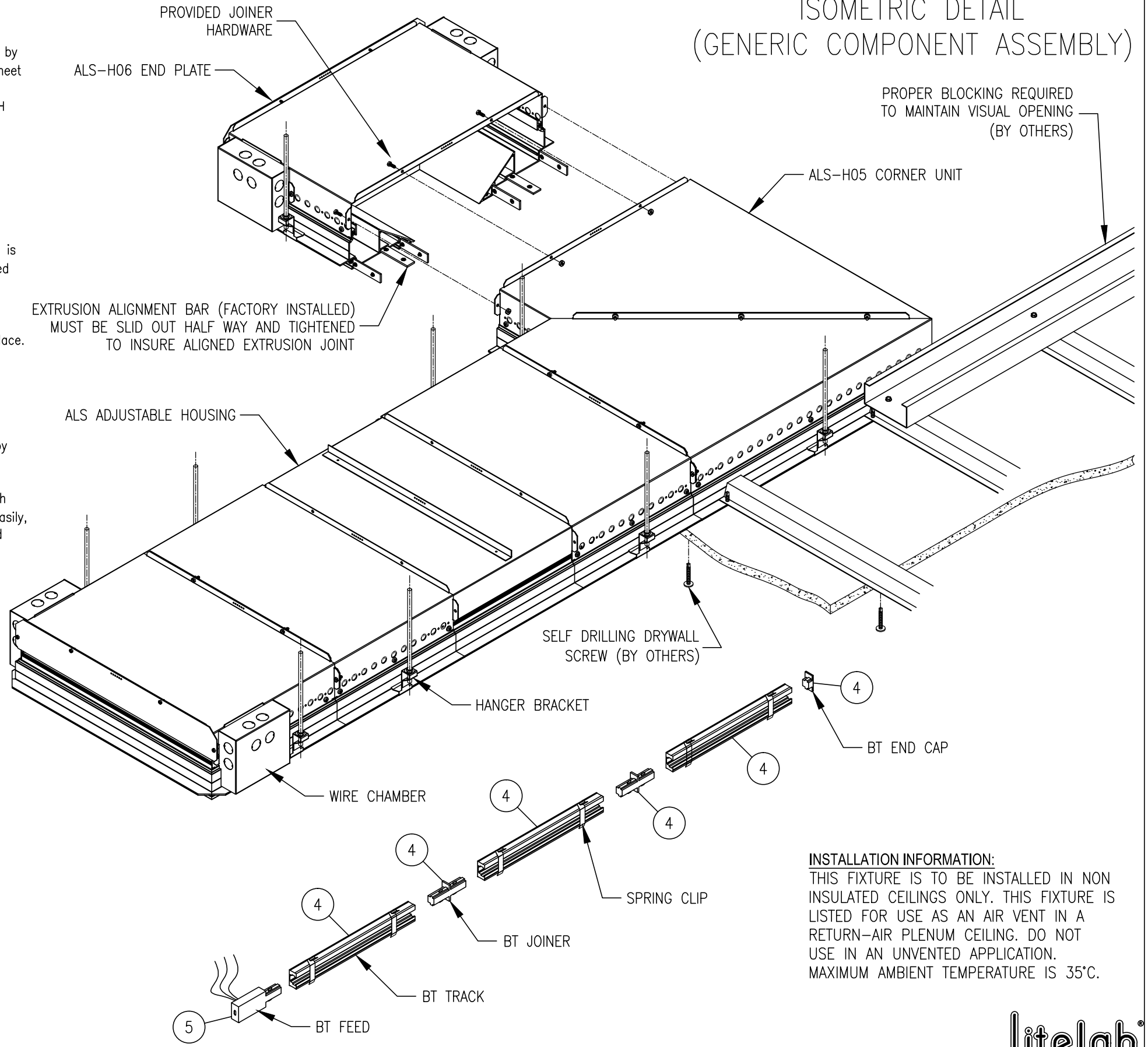


| | | | | | | | | | | |
|---------------------------------------|--------------------------|--------------------|---------------|---|------------------|-------------|-----|-----------------------|----|------|
| MODEL NUMBER: SEE B.O.M. ON LAYOUT | FIXTURE TYPE: H05/H06 | DATE: 11/8/2016 | SCALE: N/A | FILE NUMBER: Product\InstallationInstructions\ALS\ALS-H05-H06_Instal | DRAWN BY: SDP | CHECKED BY: | NO. | REVISIONS DESCRIPTION | BY | DATE |
| PROJECT NAME: H05 / H06 INSTALLS | | WEIGHT: N/A | | FIXTURE DESCRIPTION: INSTALLATION INSTRUCTIONS FOR ALS-H05-H06 SLOT SYSTEM | | | | | | |

INSTALLATION INSTRUCTIONS

- DO NOT REMOVE WOOD BRACING UNTIL HOUSING IS COMPLETELY FRAMED IN! For ALS installation, Complete the housing configuration per the layout (see b.o.m. to determine each housing location). Join sections together by sliding extrusion alignment bars to centerline of extrusion joint and tightening #8-32 set screws. Connect sheet metal enclosure segments together through side and top flanges using provided #10 hardware and tighten. NOTE: THIS STEP IS CRITICAL FOR PROPER JOINT ALIGNMENT. SLIDE IN ADJUSTABLE HOUSING TO FILL IN GAPS, FASTEN WITH PROVIDED HARDWARE. Check all mechanical connections for proper alignment and tightness.
- Support fixture to ceiling structure by using provided hanger bracket (maximum distance not to exceed 2'-0" and within 12" from each end). Frame around fixture to maintain proper fixture visual opening (wood blocking may be removed at this time). Measure visual opening over length of fixture every 12" and adjust framing to sustain consistent opening width.
- For bt track installation, complete the configuration per the layout (see b.o.m. for track locations). There is (1) "cut to fit" joiner on either side of a corner, or the last piece in a straight run that must be calculated and cut before preceding to the next step.
- Assemble configuration by sliding track sections onto bt-joiners (repeating as necessary), Lining up the polarity lines (same for feed and end cap). Then place track configuration into slot and "snap" clips into place. (3 clips per 8' peice of track and 2 clips per 4'). Feed whips need to insert through feed hole into wire chamber.
- Make electrical connections to bt feed (this is provided with 18" whips). connect power and test.
- The drywall ceiling may be completed at this time. the drywall is attached to the underside of the ALS by using self drilling truss screws provided by others (see section view for details).
- To attach fitter to the track, align the polarity lines of the track and the polarity lines of the fitter. Push top portion of the adapter (with contact fingers) into the slot and turn 90°. if the adapter does not turn easily, DO NOT FORCE, but turn in opposite direction. to remove, Depress the release lever with the index finger and turn 90°.

**ISOMETRIC DETAIL
(GENERIC COMPONENT ASSEMBLY)**



INSTALLATION INFORMATION:
THIS FIXTURE IS TO BE INSTALLED IN NON INSULATED CEILINGS ONLY. THIS FIXTURE IS LISTED FOR USE AS AN AIR VENT IN A RETURN-AIR PLENUM CEILING. DO NOT USE IN AN UNVENTED APPLICATION. MAXIMUM AMBIENT TEMPERATURE IS 35°C.