

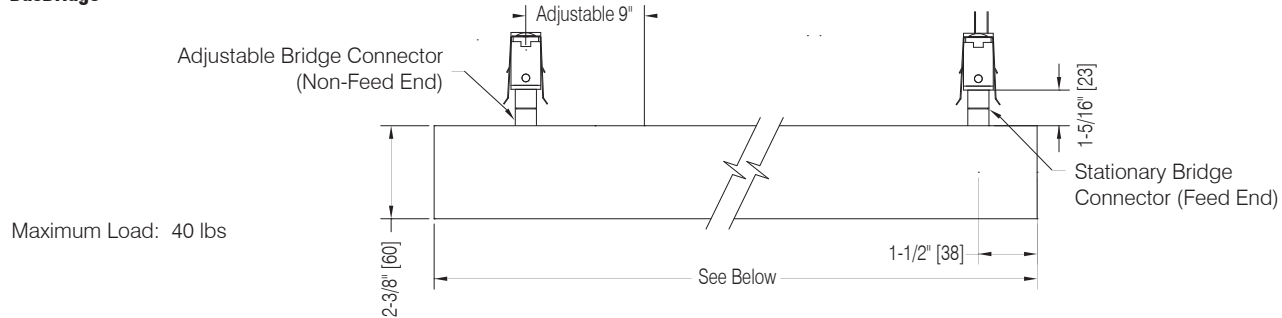
BusRun

Accessories

Project Name

Type

BusBridge

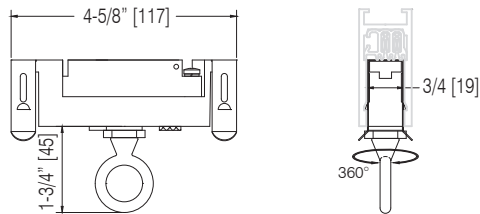


Maximum Load: 40 lbs

Codes	Min. Span	Max. Span	Total Length	Adaptor/Voltage	Finish
BB1D-054	3'9"	4'3"	4'6"	9AD-A (120 Volts)	P=White
BB1D-102	7'9"	8'3"	8'6"	9AD-D (240 Volts)	MB = Matte Black
BB1D-120	9'0"	9'9"	10'0"	9AD-C (277 Volts)	NT = Brushed
				9AD-F (240 Volts / 2-Circuit)	UF = Unfinished
					ST = Silver Tone

Example: BB1D-102-9AD-A-MB

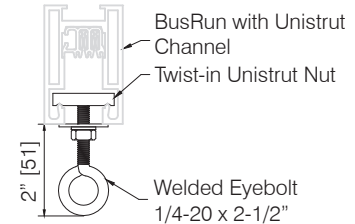
Sign Hanger*



Supports 40lb (18kg) Maximum Static Vertical Load

Code	Adaptor	Finish
BSH	9ED	P=White
		MB = Matte Black
		ST = Silver Tone
		R = Unfinished

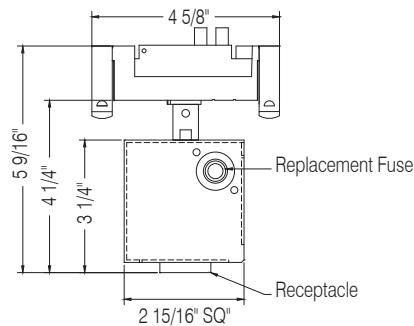
Loadmatic Hanging



Supports up to 100lb [45kg] Maximum Static Vertical Load

Code	Finish
BSH-UNI	P=White
	MB = Matte Black
	R = Unfinished

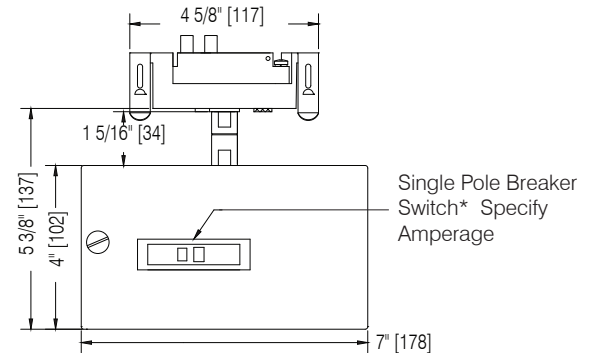
PowerDown Box*



Code/Amperage	Adaptor / Voltage	Finish
3-Prong Edison Plug		P=White
BPT-P15F	9AD-A (120 Volts)	MB=Matte Black
Twist Lock		ST=Silver Tone
BPT-T15F	9AD-A (120 Volts)	CP=Custom Finish
BPT-T20F	9AD-C (277 Volts)	

NEMA Guide	120 volt	277 volt
BPT-P15F	5-15R	
BPT-T15F	L5-15R	L7-15R
BPT-T20F	L5-20R	L7-20R

PowerDown Breaker*



Code/Amperage	Adaptor / Voltage	Finish
BPT-K15B	9AD (120 Volts)	P=White
BPT-K20B		MB=Matte Black
BPT-K30B		ST=Silver Tone
		CP=Custom Finish

Includes knockouts

* Includes 11" Safety Cable



251 Elm Street, Buffalo, NY 14203 USA
800-238-4120 | www.litelab.com

