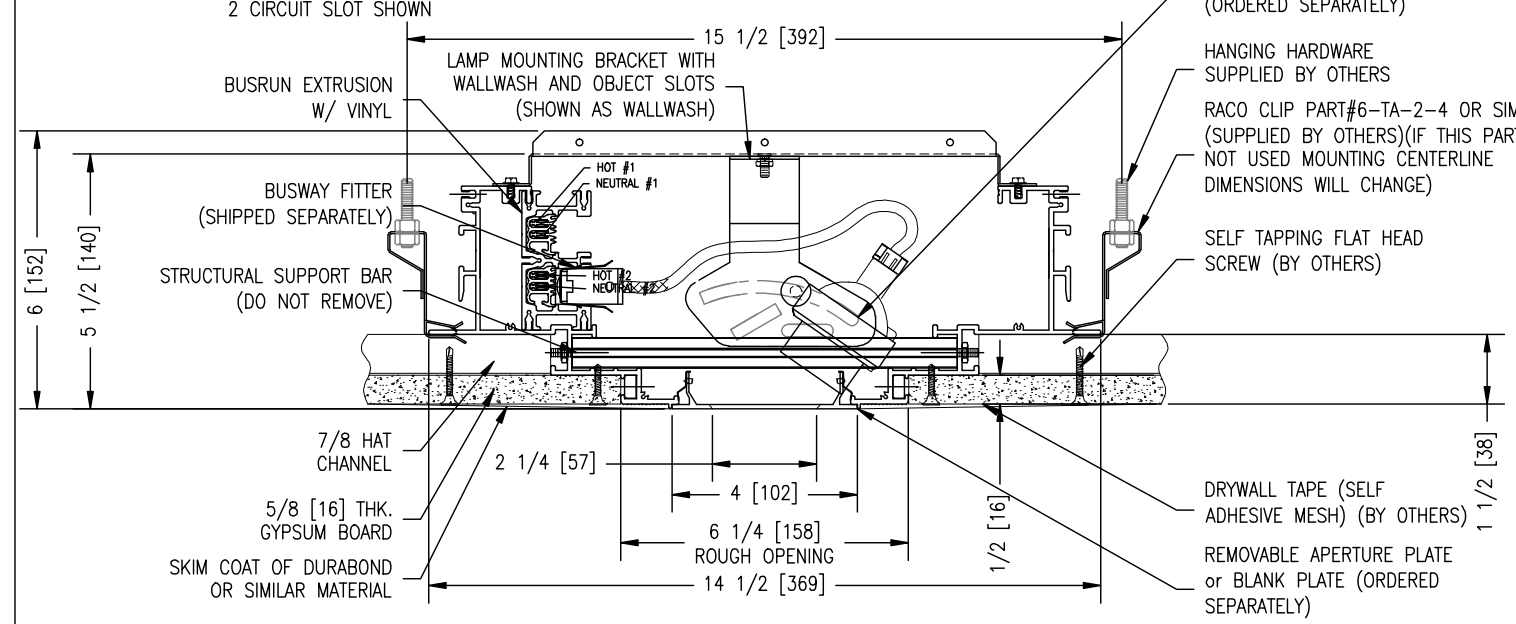
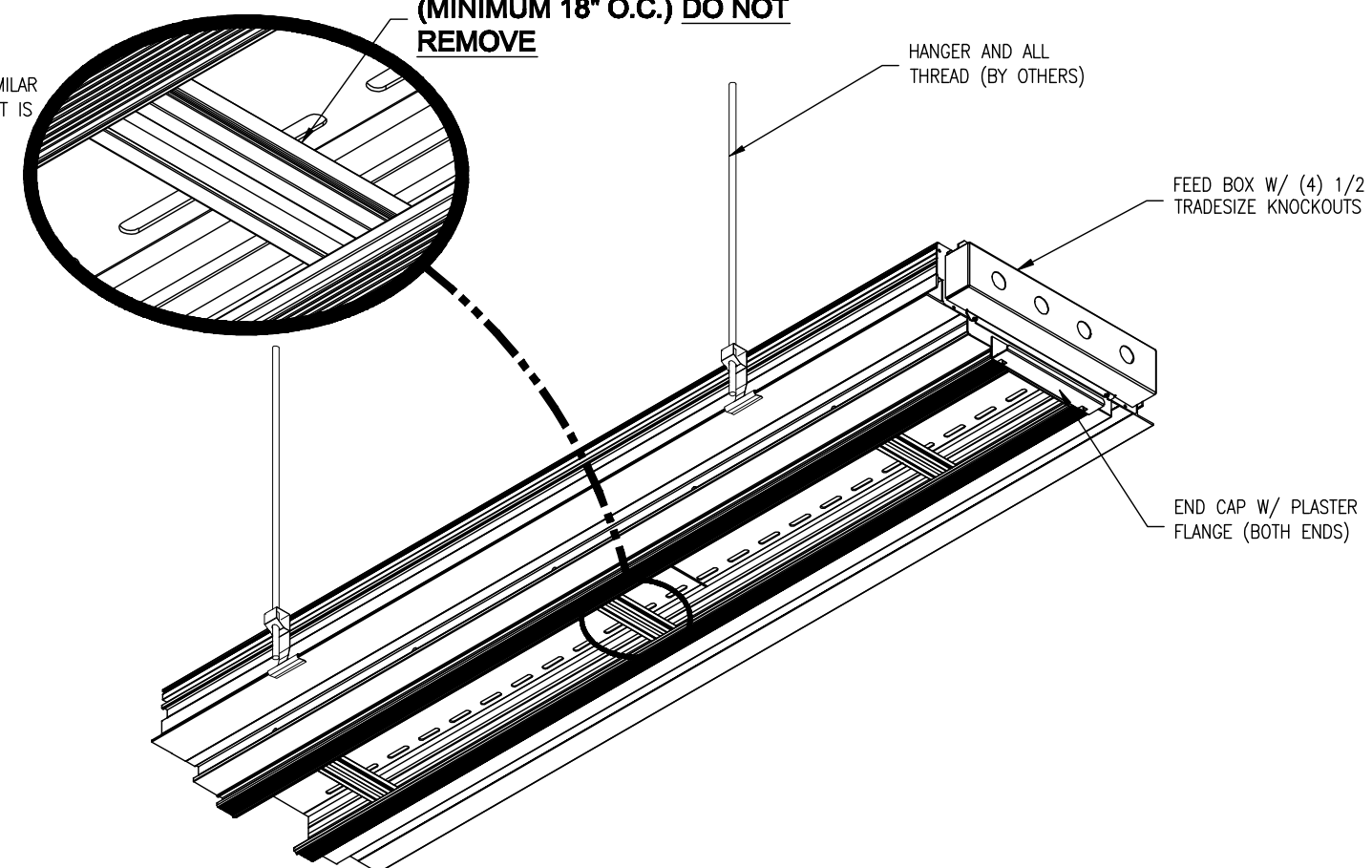


MODEL NUMBER:	FIXTURE TYPE:	DATE: 12/10/08	SCALE: N.T.S.	FILE NUMBER: Prod/SlotFix/SlotSystem/SmallSlotSystemInstall	DRAWN BY: S.D.P.	CHECKED BY:	NO.	REVISIONS DESCRIPTION	BY	DATE	
PROJECT NAME:		WEIGHT:			FIXTURE DESCRIPTION: TYPICAL INSTALLATION FOR END FEED SMALL SLOT SYSTEM						

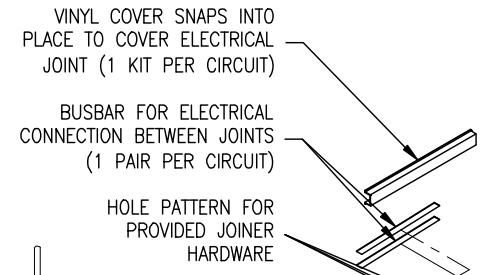
SECTION VIEW OF SMALL SLOT SYSTEM W/ OBJECT FIXTURE



STRUCTURAL SUPPORT BAR (MINIMUM 18" O.C.) DO NOT REMOVE



BLOCKING AND SUPPORT BRACING BY OTHERS



INSTALLATION INSTRUCTIONS

1. JOIN SECTIONS TOGETHER BY SLIDING EXTRUSION ALIGNMENT BARS TO CENTERLINE OF EXTRUSION JOINT AND TIGHTENING HARDWARE. CONNECT PROVIDED HARDWARE THROUGH TOP FLANGE AND TIGHTEN.
2. CHECK ALL MECHANICAL CONNECTIONS FOR PROPER ALIGNMENT AND TIGHTNESS.
3. SUPPORT FIXTURE FROM ABOVE (MOUNTING METHOD BY OTHERS). FRAME AROUND FIXTURE BY ATTACHING CEILING STRUCTURE TO MOUNTING FLANGE. DO NOT REMOVE STRUCTURAL CROSS MEMBERS SHIPPED INSIDE SLOT AT 18" O.C.
4. MAKE ELECTRICAL CONNECTIONS INTO PROVIDED WIRING CHAMBER (THIS FIXTURE IS PROVIDED WITH (4) KNOCKOUTS). SERVICE CAN BE MADE THROUGH THE APERTURE. INSTALL BUSBAR JOINERS (COPPER) TO INTERCONNECT BUSRUN BOTH HOT AND NEUTRAL CONNECTIONS. TEST FOR CONDUCTIVITY.
5. THE DRYWALL CEILING MAY BE COMPLETED AT THIS TIME. THE DRYWALL IS ATTACHED TO THE UNDERSIDE OF THE SLOT BY USING SELF DRILLING SCREWS PROVIDED BY OTHERS. TAPE, SKIM COAT AND PAINT (SEE SECTION VIEW FOR DETAILS).
6. FOR FINAL ASSEMBLY, INSTALL MR16 HEADS AND PLATES (REFER TO ARCHITECTURAL LAYOUT FOR PROPER LOCATIONS).

