

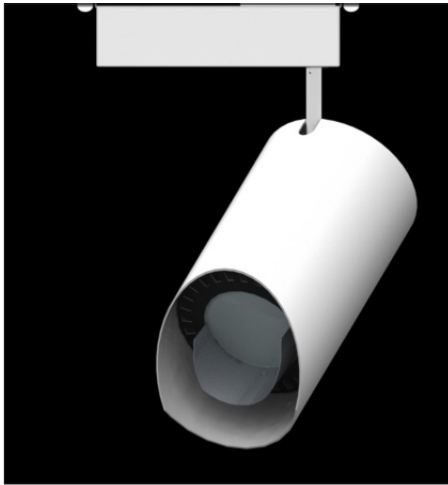
Museum Collection

Job Name:

Fixture Type:

LED Wallwash

M98L3200



Specify:

M98 - - - - -

FIXTURE MODEL LUMENS ADAPTER VOLTAGE CRI CCT FINISH

Example:

M98 L3200 - 9HD - A - 95 30 - P

This Litelab fixture features a dedicated CREE module. To specify an LED module select the lumen, CRI, and color temperature options from below and complete the model number as shown. Adapter, voltage, finish and reflector options are shown on page two.

LUMEN OPTIONS		CRI OPTIONS		COLOR TEMP (CCT)	
L3200	3200 lumens	95	95 CRI	30	3000°K
				35	3500°K

Features & Benefits

Fixture Description

Housing is spun aluminum with perforated back cover for ventilation. Aluminum stem features lockable constant tilt swivel with 90° maximum aiming angle. Wires shall be concealed within stem. Fixture to be supplied with wallwash reflector and OL-55X75-p wallwash spread lens.

Low Profile External Driver Housing

Adapter plugs into Busway with separate electrical and mechanical connections. An optional switch is available.

Accessory Cartridge

Cartridge design allows for enhanced passive air flow around LED components. Front installed, non-rotational and lockable, optical matte black cartridge allows up to three accessories—including a range of lenses, filters and louvers.

Lenses & Accessories**

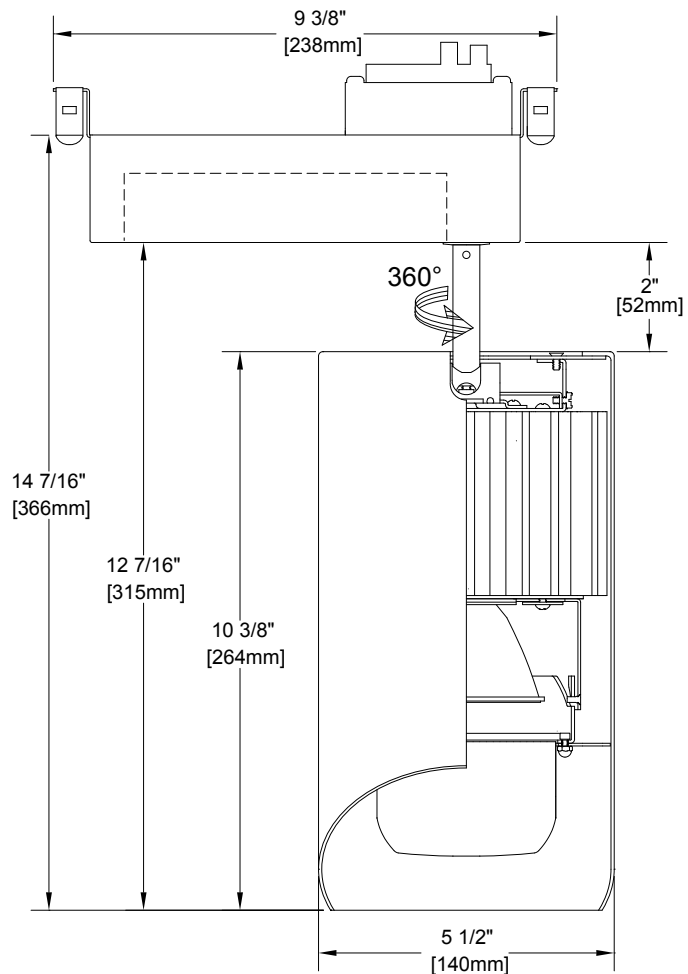
Standard 55° x 75° wallwash spread lens included with fixture. Photo etched light blocking screens are also available. Accessory size code shall be "p."

Finishes

Available in black, white, brushed aluminum or custom finish.

Dimming

Litelab Museum line LED fixtures are provided with LED drivers suitable for use with trailing edge dimmers. Dimming performance may vary depending on dimmer model or system.



251 Elm Street Buffalo, NY 14203 USA
800-238-4120 • www.litelab.com © 01/21/16

*Covered under one or more of the following patents: US: 8,740,421 B2, D499, 698, D389,012, Republic of China: D149,379, People's Republic of China: ZL 201130358013.3. Additional patents pending. **See fittings and accessories page for mounting options and accessories.

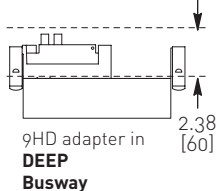
Input Fittings & Accessories

M98L3200

Job Name:

Fixture Type:

ADAPTERS

BUSRUN	adapter code	on-off switch	voltage
 <p>9HD adapter in DEEP Busway</p>		optional	
	9HD	-SY	-A
	fused plug-in fitter with integral driver for use with Deep 120V BusRun busway		
	9HD	-SY	-D
fused plug-in fitter with integral driver for use with Deep 240V BusRun busway			
	9HD	*	-C
fused plug-in fitter with integral driver for use with Deep 277V BusRun busway (consult factory)			

* Switch available for 120V and 230V only

ACCESSORIES

Spread Lenses

Universal Spread
OL- 55° x 75°-p
(included)

Screens

Light Block Screen
B-15N/p

Photo-etched, 15% light-blocking screen. Accepts up to 5 for 30%, 45%, 60% or 75% (maximum)

FINISHES

Consult with Litelab for custom finishes

NT Brushed
Aluminum
MB Black
P White
CP Custom Paint

INPUT REQUIREMENTS

L3200 3200 lumens

120VAC/50-60Hz: 46w/0.38A
230VAC/50-60Hz: 53w/0.23A
277VAC/50-60Hz: consult*

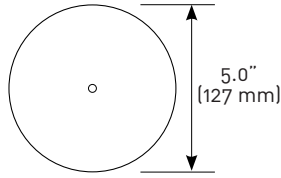
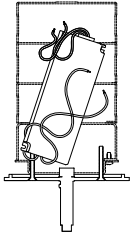
[* 277V is not dimmable.]



ADAPTERS

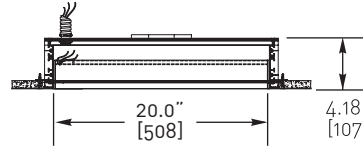
CANOPY WITH DRIVER (120V, 240V, 277V)

- 3L-A 120V
- 3L-D 240V
- 3L-C 277V



5" (127mm) diameter x 1/4" (6mm) height machined canopy with electronic driver. (4" diameter x 6" height junction box not included.)

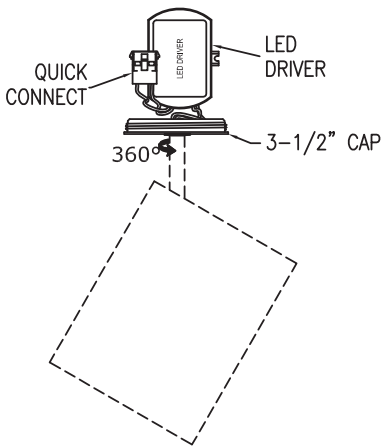
BUSPOINTS



- BP1-08-1A-20** 120V
- BP1-08-3D-20** 240V
- BP1-08-3C-20** 277V

3-1/2" QUICK CONNECT CANOPY

3-1/2" canopy voltage

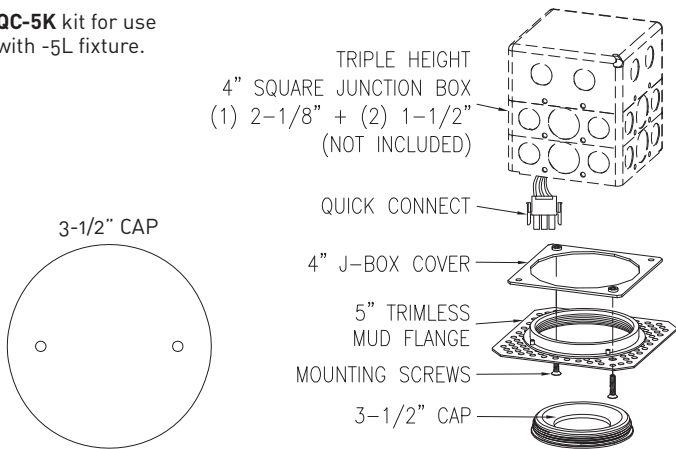


- 5L-A** 120V
- 5L-D** 240V
- 5L-C** 277V

QC-5K kit is required with -5L fixture.

3-1/2" QUICK CONNECT FLANGE KIT

QC-5K kit for use with -5L fixture.



Box fill must be in compliance with National Electric Code Article 314.