

LED Object

M97L3200



Specify:

M97 - - - - -

FIXTURE MODEL LUMENS ADAPTER VOLTAGE CRI CCT FINISH REFLECTOR

Example:

M97 L3200 - 9HD - A - 95 30 - P - 22

This Litelab fixture features a dedicated CREE module. To specify an LED module select the lumen, CRI, and color temperature options from below and complete the model number as shown. Adapter, voltage, finish and reflector options are shown on page two.

LUMEN OPTIONS	CRI OPTION	COLOR TEMP (CCT)	INPUT REQS	REFLECTOR	
L3200 3000Lumens	95 27	95 CRI/2700K	120VAC/50-60Hz	0.38A/46W	22
	95 30	95 CRI/3000K	240VAC/50-60Hz	0.23A/53W	33
	95 35	95 CRI/3500K	277VAC/50-60Hz	*Consult	51
				Factory	70

Features & Benefits

Fixture Description

Housing is spun aluminum with perforated back cover for ventilation. Aluminum stem features lockable constant tilt swivel with 90° maximum aiming angle. Fixture to be supplied with baffle/accessories holder and OL-L10P1-p beam softener film.

Low Profile External Driver Housing

Adapter plugs into Busway with separate electrical and mechanical connections. An optional switch is available.

Accessory Cartridge

Cartridge design allows for enhanced passive air flow around LED components. Front installed, rotational and lockable, optical matte black cartridge allows up to three accessories—including a range of lenses, filters and louvers.

Lenses & Accessories**

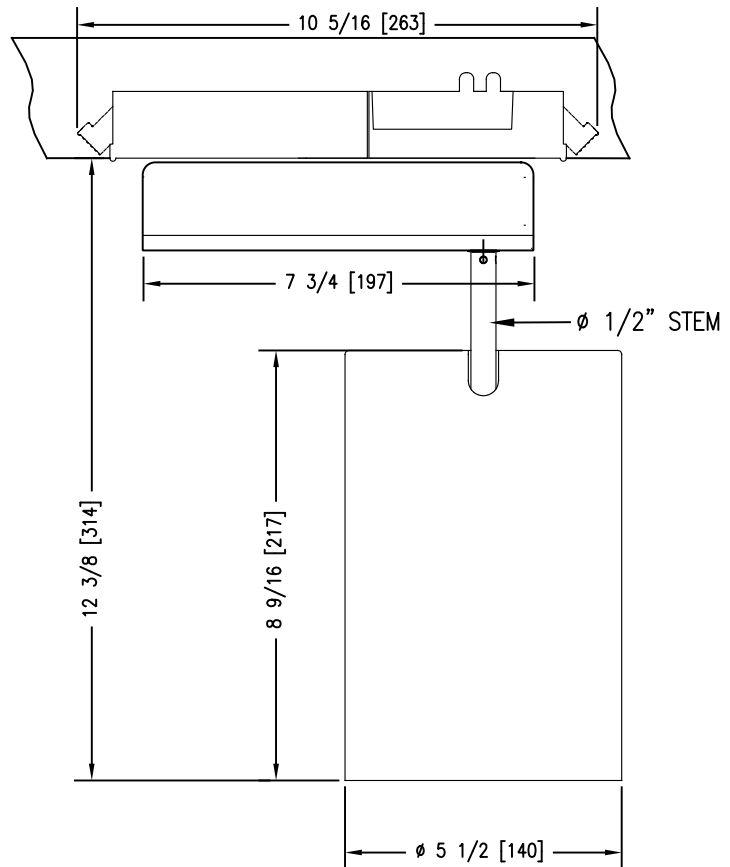
Standard clear lenses are available in 55° x 75°, 5° x 30° and 5° x 55° optical patterns. Photo etched light blocking screens and beam softener lens are also available. Accessory size code shall be "p."

Finishes

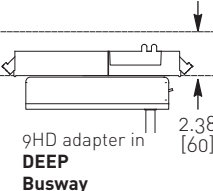
Available in black, white, brushed aluminum or custom finish.

Dimming

Litelab Museum line LED fixtures are provided with LED drivers suitable for use with trailing edge dimmers. Dimming performance may vary depending on dimmer model or system.



ADAPTERS

BUSRUN	adapter code	on-off switch	voltage
		optional	
	9HD	-SY	-A
	fused plug-in fitter with integral driver for use with Deep 120V BusRun busway		
	9HD	-SY	-D
fused plug-in fitter with integral driver for use with Deep 240V BusRun busway			
	9HD	*	-C
fused plug-in fitter with integral driver for use with Deep 277V BusRun busway (consult factory)			
* Switch available for 120V and 230V only			

REFLECTORS

(22) – 22°	21589-22
(33) – 33°	21589-33
(51) – 51°	21589-51
(70) – 70°	21589-70

One reflector included with fixture (specify.)
Reflectors are interchangeable. Additional reflectors ordered separately.

FINISHES

Consult with Litelab for custom finishes

NT	Brushed Aluminum
MB	Black
P	White
CP	Custom Paint

ACCESSORIES

Spread Lenses

Linear Spread
OL- 5° x 30°-p
OL- 5° x 55°-p

Universal Spread
OL- 55° x 75°-p

Beam Softener
OL-SF-p
OL-L10P1-p
polycarbonate film (included)

Screens

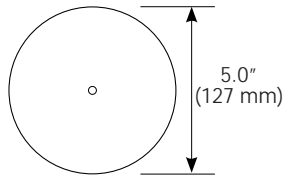
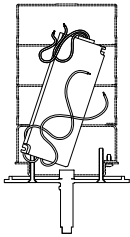
Light Block Screen
B-15N/p

Photo-etched, 15% light-blocking screen. Accepts up to 5 for 30%, 45%, 60% or 75% (maximum)

ADAPTERS

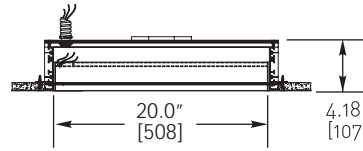
CANOPY WITH DRIVER (120V, 240V, 277V)

- 3L-A 120V
- 3L-D 240V
- 3L-C 277V



5" (127mm) diameter x 1/4" (6mm) height machined canopy with electronic driver. (4" diameter x 6" height junction box not included.)

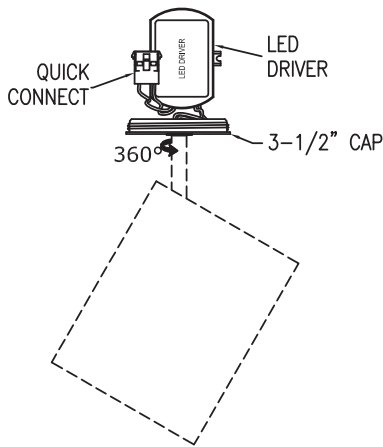
BUSPOINTS



- BP1-08-1A-20 120V
- BP1-08-3D-20 240V
- BP1-08-3C-20 277V

3-1/2" QUICK CONNECT CANOPY

3-1/2" voltage

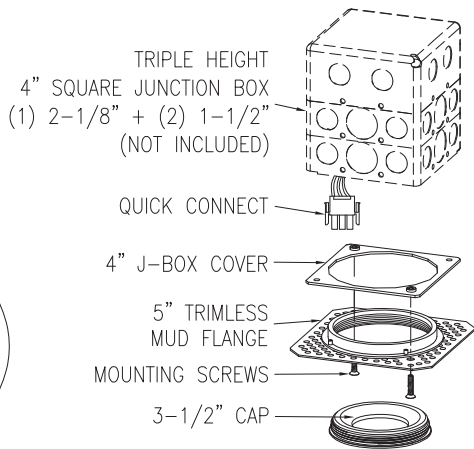
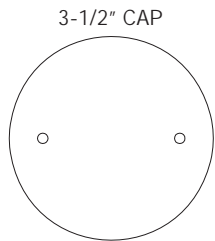


- 5L-A 120V
- 5L-D 240V
- 5L-C 277V

QC-5K kit is required with -5L fixture.

3-1/2" QUICK CONNECT FLANGE KIT

QC-5K kit for use with -5L fixture.



Box fill must be in compliance with National Electric Code Article 314.