

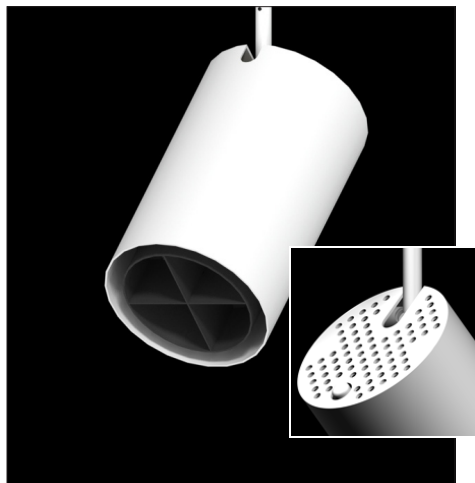
Job Name:

Fixture Type:

Museum Collection

LED Retrofit/Object-light

M67PAR38



Specify:

M67PAR38 - - - -

FIXTURE MODEL - ADAPTER - VOLTAGE - FINISH - ACCESSORIES(optional)

Example:

M67PAR38 - 9AC-RL - A - P - OL-5 x 30- p

Museum Collection Fixtures

- Fits deep 2.38" (60mm) BusRun.
- Fixture rotates up to 360° and may be ordered with an on/off switch. Includes standard tilt & rotation locks.
- Accessory cartridge/baffle rotates and locks, maintaining proper orientation of all accessories.
- Accessory cartridge design and perforated back allow for efficient heat dissipation.

PAR38 LED

Refer to Litelab.com for tested lamps.

Ratings

30 watts maximum

Features & Benefits

Flush Fit adapter with Rotation Lock*

Adapter plugs into Busway with separate electrical and mechanical connections. Electrical contacts are oversized for a long life and each fixture is fused. Adapter equipped with thumb wheel horizontal rotation lock.

Stem

Durable aluminum stem, features a constant tension tilt swivel that is mechanically lockable. Standard aiming angle is 90° maximum.

Lamp Housing

Durable aluminum housing contains a lockable accessory holder. A push-button located at the rear of the housing unlocks cartridge for rotation or removal.

Accessory Cartridge**

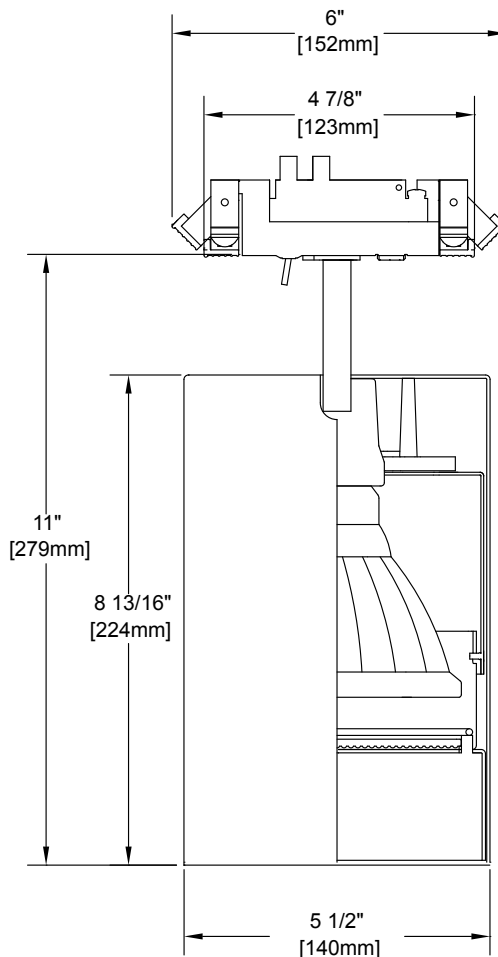
Front installation permits separate lens rotation-adjustment for proper lens orientation. This optical matte black cartridge provides a built in snoot for no glare 40° cutoff and comes equipped with cross hair baffle. Holds up to two lenses and a complete set of light blocking screens.

Lenses & Accessories**

Standard clear lenses are available in a 55°x 75°, 5°x 30° or 5°x 55° optical pattern. All lenses are keyed for lockable orientation. Photo etched light blocking screens and beam softener lens are also available. Accessory size code shall be 'p.'

Finishes

Available in a durable powdercoat finish of white or matte black as well as Litelab's natural aluminum. Consult for custom finishes.

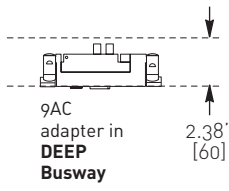
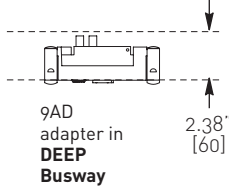


251 Elm Street Buffalo, NY 14203 USA
800-238-4120 • www.litelab.com © 10/2016

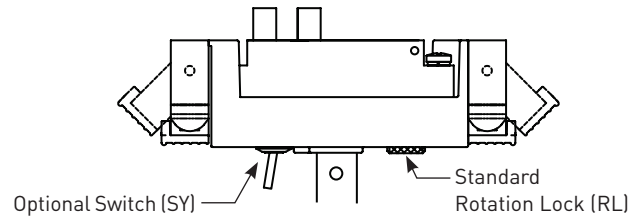
**See fittings and accessories page for mounting options and accessories.

ADAPTERS

BUSRUN

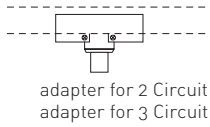
	adapter code	on-off switch	rotation lock	voltage
		optional	standard	
 <p>9AC adapter in DEEP Busway 2.38" [60]</p>	9AC	-SY	-RL	-A
	fused Lock n Hide fitter for use with Deep 120V BusRun busway			
	9AC	-SY	-RL	-D
	fused Lock n Hide fitter for use with Deep 240V BusRun busway			
 <p>9AD adapter in DEEP Busway 2.38" [60]</p>	9AD	-SY	-RL	-A
	fused plug-in fitter for use with Deep 120V BusRun busway			
	9AD	-SY	-RL	-D
	fused plug-in fitter for use with Deep 240V BusRun busway			

FITTER DETAIL HIGHLIGHTING OPTIONAL SWITCH



TRACK (120V, 240V)

2-3 Circuit



Spec Track adapter - 3.8" [97] L x 1.25" [32] W x .75" [19] Ht for use in two or three circuit track.

EUT-2
EUT-3

INPUT REQUIREMENTS

Check with LED lamp manufacturer for specific lumen/input requirements.

ACCESSORIES

Spread Lenses

Linear Spread
OL- 5° x 30°-p
OL- 5° x 55°-p

Universal Spread
OL- 55° x 75°-p

Beam Softener
OL-SF-p

Note: Some LED manufacturers do not recommend the use of lenses in front of their lamps. See manufacturer for details.

Screens

Light Block Screen
B-15N/p

Photo-etched, 15% light-blocking screen. Accepts up to 5 for 30%, 45%, 60% or 75% (maximum)

FINISHES

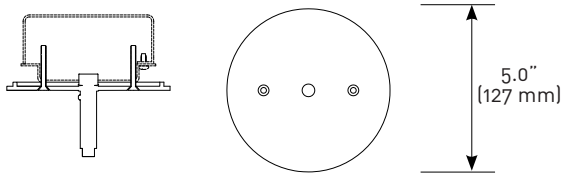
Consult with Litelab for custom finishes

- NT** Brushed Aluminum
- MB** Black
- P** White
- CP** Custom Paint

ADAPTERS

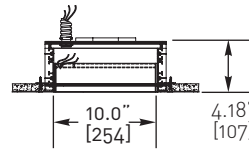
CANOPY

-3

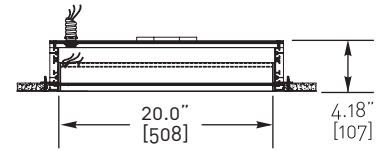


5" (127mm) diameter x 1/4" (6mm) height machined canopy. (Junction box not included.)

BUSPOINTS



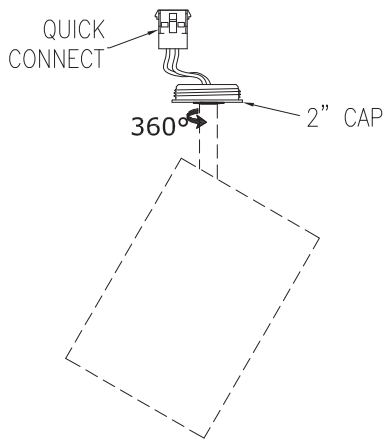
BP1-08-1A-10 120V
BP1-08-3D-10 240V



BP1-08-1A-20 120V
BP1-08-3D-20 240V

2" QUICK CONNECT CANOPY

2" canopy voltage

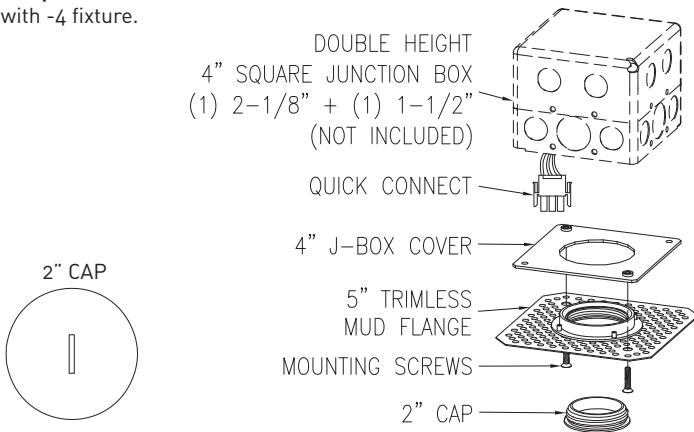


-4-A 120V
-4-D 240V

QC-4K kit is required with -4 fixture.

2" QUICK CONNECT FLANGE KIT

QC-4K kit for use with -4 fixture.



Box fill must be in compliance with National Electric Code Article 314.