

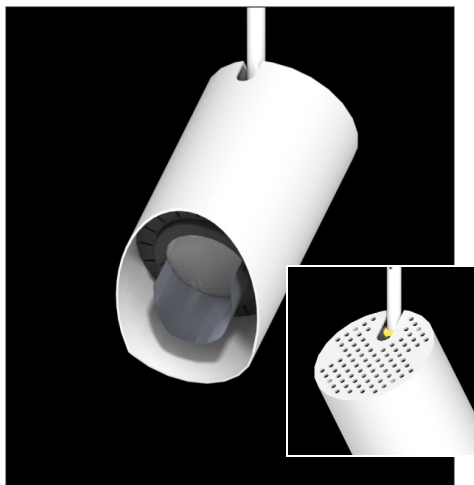
Job Name:

Fixture Type:

Museum Collection

LED Retrofit/Wallwash

M64PAR30



Specify:

M64PAR30

FIXTURE MODEL

ADAPTER

VOLTAGE

FINISH

ACCESSORIES(optional)

Example:

M64PAR30

9AC-RL

A

P

OL-5 x 30- e

Museum Collection Fixtures

- Fits deep 2.38" (60mm) BusRun.
- Fixture rotates up to 360° and may be ordered with an on/off switch. Includes standard tilt & rotation locks.
- Accessory cartridge is designed to be remounted in the same position after relamping, maintaining proper orientation of all accessories.
- Perforated back panel allows for air to pass through housing for efficient heat dissipation.

PAR30 LED

Refer to Litelab.com for tested lamps.

Ratings

30 watts maximum

Features & Benefits

Flush Fit adapter with Rotation Lock*

Adapter plugs into Busway with separate electrical and mechanical connections. Electrical contacts are oversized for a long life and each fixture is fused. Adapter equipped with thumb wheel horizontal rotation lock.

Stem

Durable aluminum stem, features a constant tension tilt swivel that is mechanically lockable. Standard aiming angle is 90° maximum.

Lamp Housing

Durable aluminum housing contains a lockable accessory holder.

Accessory Cartridge**

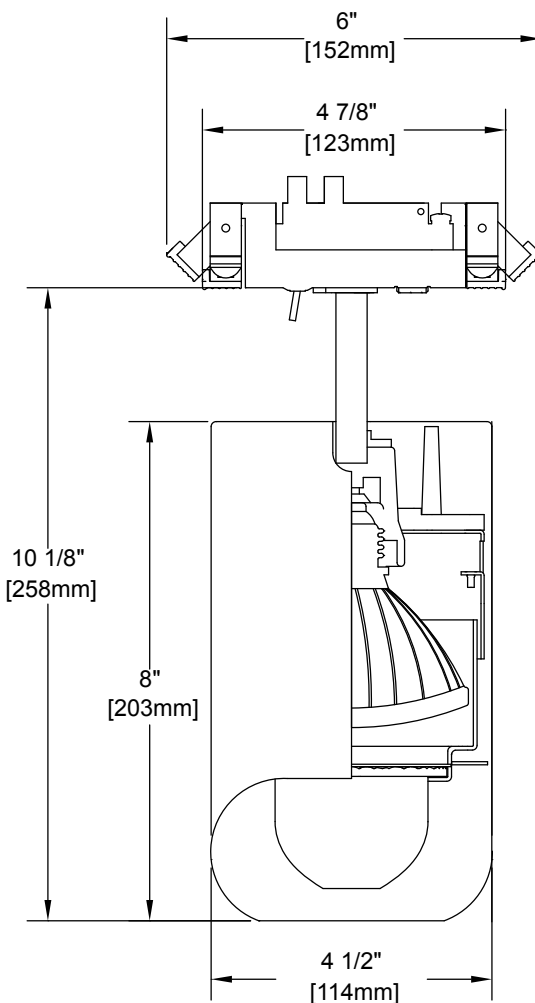
Front installing cartridge is equipped with a kick reflector and holds optional lenses and light blocking screens.

Lenses & Accessories**

Optional 55°x75° optical patterned wallwash spread lens, 5°x30° or 5°x55° linear spread lenses available. All lenses are keyed for lockable orientation. Photo etched light blocking screens and beam softener lens are also available. Accessory size code shall be 'e.'

Finishes

Available in a durable powdercoat finish of white or matte black as well as Litelab's natural aluminum. Consult for custom finishes.

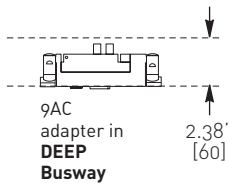
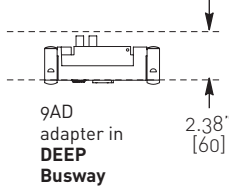


251 Elm Street Buffalo, NY 14203 USA
800-238-4120 • www.litelab.com © 11/16

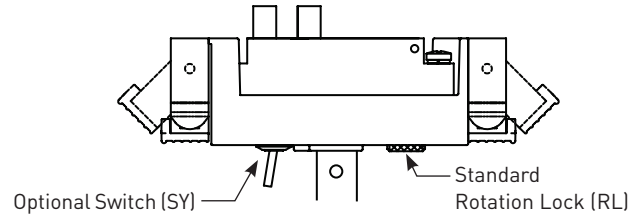
**See fittings and accessories page for mounting options and accessories.

ADAPTERS

BUSRUN

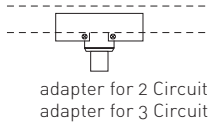
	adapter code	on-off switch optional	rotation lock standard	voltage
 <p>9AC adapter in DEEP Busway</p> <p>2.38" [60]</p>	9AC	-SY	-RL	-A
	fused Lock n Hide fitter for use with Deep 120V BusRun busway			
 <p>9AD adapter in DEEP Busway</p> <p>2.38" [60]</p>	9AC	-SY	-RL	-D
	fused Lock n Hide fitter for use with Deep 240V BusRun busway			
	9AD	-SY	-RL	-A
	fused plug-in fitter for use with Deep 120V BusRun busway			
	9AD	-SY	-RL	-D
	fused plug-in fitter for use with Deep 240V BusRun busway			

FITTER DETAIL HIGHLIGHTING OPTIONAL SWITCH



TRACK (120V, 240V)

2-3 Circuit



Spec Track adapter - 3.8" [97] L x 1.25" [32] W x .75" [19] Ht for use in two or three circuit track.

EUT-2
EUT-3

INPUT REQUIREMENTS

Check with LED lamp manufacturer for specific lumen/input requirements.

ACCESSORIES

Spread Lenses

Linear Spread
OL- 5° x 30°-e
OL- 5° x 55°-e

Universal Spread
OL- 55° x 75°-e

Beam Softener
OL-SF-e

Note: Some LED manufacturers do not recommend the use of lenses in front of their lamps. See manufacturer for details.

Screens

Light Block Screen
B-15N/e

Photo-etched, 15% light-blocking screen. Accepts up to 5 for 30%, 45%, 60% or 75% (maximum)

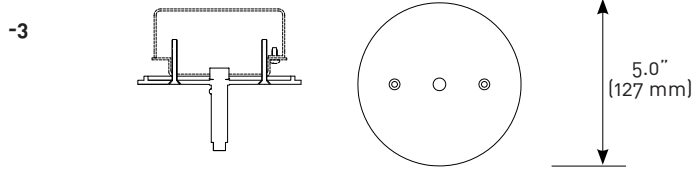
FINISHES

Consult with Litelab for custom finishes

- NT** Brushed Aluminum
- MB** Black
- P** White
- CP** Custom Paint

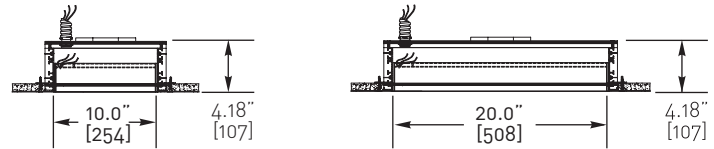
ADAPTERS

CANOPY



-3
5" (127mm) diameter x 1/4" (6mm) height machined canopy. (Junction box not included.)

BUSPOINTS

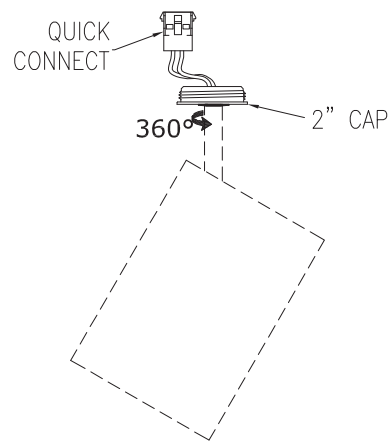


BP1-08-1A-10 120V
BP1-08-3D-10 240V

BP1-08-1A-20 120V
BP1-08-3D-20 240V

2" QUICK CONNECT CANOPY

2" canopy voltage

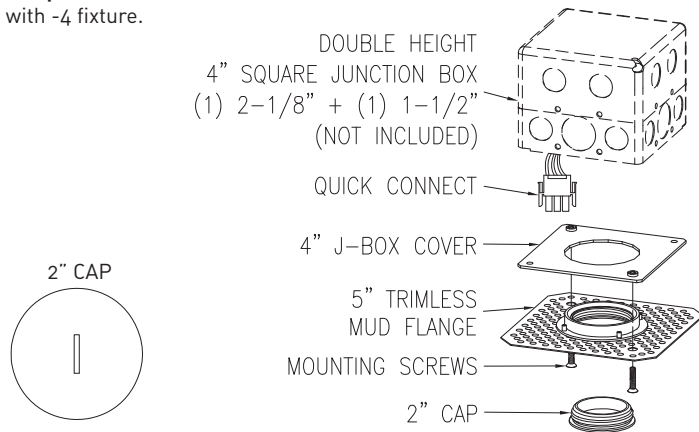


-4-A 120V
-4-D 240V

QC-4K kit is required with -4 fixture.

2" QUICK CONNECT FLANGE KIT

QC-4K kit for use with -4 fixture.



Box fill must be in compliance with National Electric Code Article 314.