

# Museum Collection

Job Name:

Fixture Type:

## LED Retrofit/Object-light

### M63PAR30



Specify:

M63PAR30 -  -  -  -

FIXTURE MODEL - ADAPTER - VOLTAGE - FINISH - ACCESSORIES(optional)

Example:

M63PAR30 - 9AC-RL - A - P - OL-5 x 30- e

#### Museum Collection Fixtures

- Fits deep 2.38"(60mm) BusRun.
- Fixture rotates up to 360° and may be ordered with an on/off switch. Includes standard tilt & rotation locks.
- Accessory cartridge/baffle rotates and locks, maintaining proper orientation of all accessories.
- Accessory cartridge design and perforated back allow for efficient heat dissipation.

#### PAR30 LED

Short neck LED Replacement Lamp

Refer to Litelab.com for tested lamps.

[Click here for more information.](#)

#### Ratings

30 watts maximum

## Features & Benefits

### Flush Fit adapter with Rotation Lock\*

Adapter plugs into Busway with separate electrical and mechanical connections. Electrical contacts are oversized for a long life and each fixture is fused. Adapter equipped with thumb wheel horizontal rotation lock.

### Stem

Durable aluminum stem, features a constant tension tilt swivel that is mechanically lockable. Standard aiming angle is 90° maximum.

### Lamp Housing

Durable aluminum housing contains a lockable accessory holder. A push-button located at the rear of the housing unlocks cartridge for rotation or removal.

### Accessory Cartridge\*\*

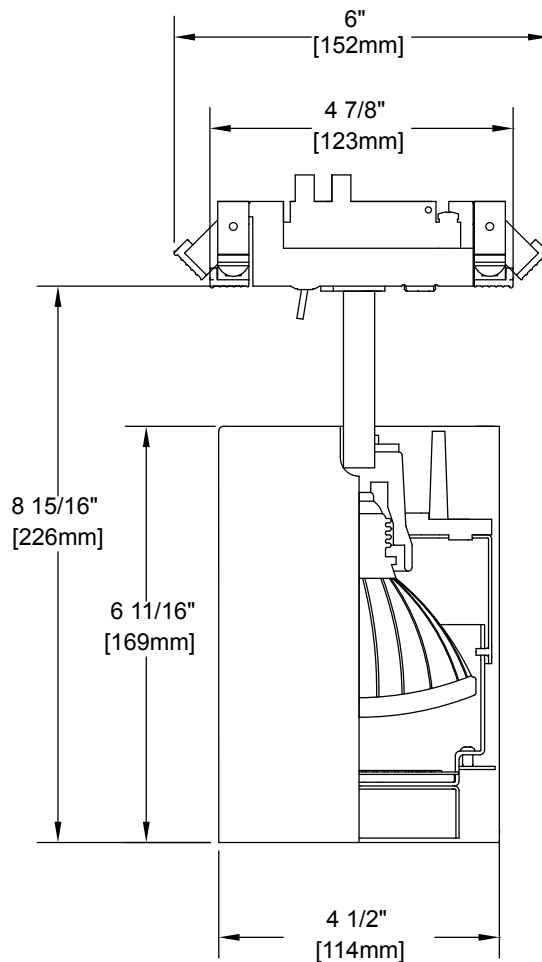
Front installation permits separate lens rotation-adjustment for proper lens orientation. This optical matte black cartridge provides a built in snoot for no glare 40° cutoff and comes equipped with cross hair baffle. Holds up to two lenses and a complete set of light blocking screens.

### Lenses & Accessories\*\*

Standard clear lenses are available in a 55°x 75°, 5°x 30° or 5°x 55° optical pattern. All lenses are keyed for lockable orientation. Photo etched light blocking screens and beam softener lens are also available. Accessory size code shall be 'e.'

### Finishes

Available in a durable powdercoat finish of white or matte black as well as Litelab's natural aluminum. Consult for custom finishes.

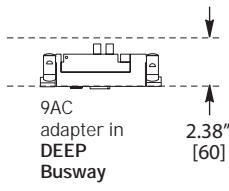


251 Elm Street Buffalo, NY 14203 USA  
800-238-4120 • www.litelab.com © 10/2016

\*\*See fittings and accessories page for mounting options and accessories.

**ADAPTERS**

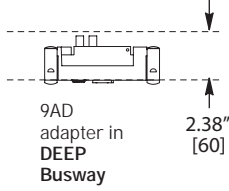
**BUSRUN**



adapter code	on-off switch optional	rotation lock standard	voltage
--------------	---------------------------	---------------------------	---------

**9AC -SY -RL -A**  
fused Lock n Hide fitter for use with **Deep 120V BusRun** busway

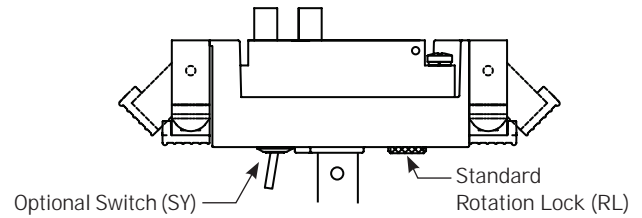
**9AC -SY -RL -D**  
fused Lock n Hide fitter for use with **Deep 240V BusRun** busway



**9AD -SY -RL -A**  
fused plug-in fitter for use with **Deep 120V BusRun** busway

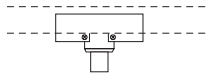
**9AD -SY -RL -D**  
fused plug-in fitter for use with **Deep 240V BusRun** busway

**FITTER DETAIL HIGHLIGHTING OPTIONAL SWITCH**



**TRACK (120V, 240V)**

2-3 Circuit



Spec Track adapter - 3.8" [97] L x 1.25" [32] W x .75" [19] Ht for use in two or three circuit track.

adapter for 2 Circuit  
adapter for 3 Circuit

**EUT-2**  
**EUT-3**

**INPUT REQUIREMENTS**

Check with LED lamp manufacturer for specific lumen/input requirements.

**ACCESSORIES**

**Spread Lenses**

**Linear Spread**  
OL- 5° x 30°-e  
OL- 5° x 55°-e

**Universal Spread**  
OL- 55° x 75°-e

**Beam Softener**  
OL-SF-e

**Note:** Some LED manufacturers do not recommend the use of lenses in front of their lamps. See manufacturer for details.

**Screens**

**Light Block Screen**  
B-15N/e

Photo-etched, 15% light-blocking screen. Accepts up to 5 for 30%, 45%, 60% or 75% (maximum)

**FINISHES**

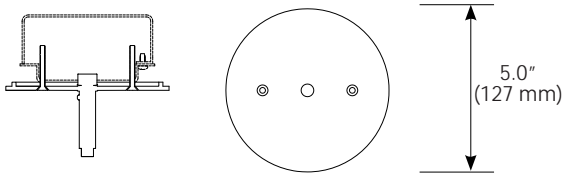
Consult with Litelab for custom finishes

- NT** Brushed Aluminum
- MB** Black
- P** White
- CP** Custom Paint

**ADAPTERS**

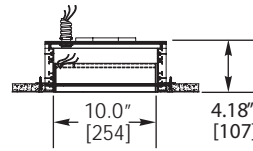
**CANOPY**

-3

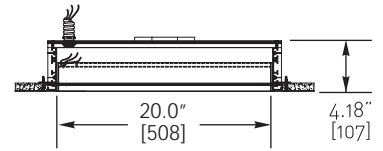


5" (127mm) diameter x 1/4" (6mm) height machined canopy. (Junction box not included.)

**BUSPOINTS**



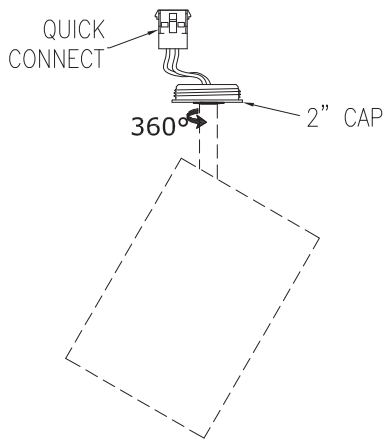
**BP1-08-1A-10** 120V  
**BP1-08-3D-10** 240V



**BP1-08-1A-20** 120V  
**BP1-08-3D-20** 240V

**2" QUICK CONNECT CANOPY**

2" canopy voltage

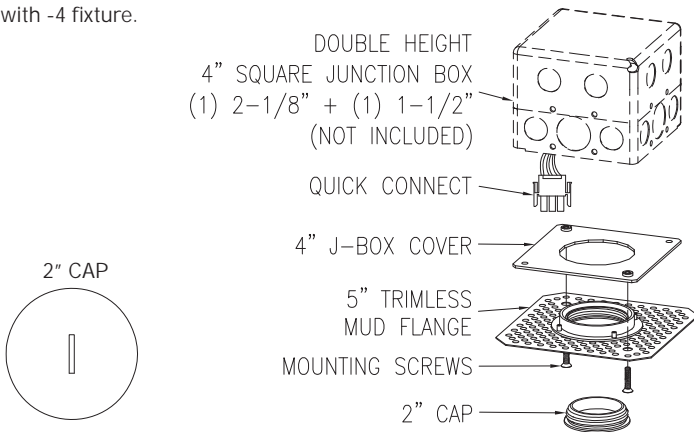


**-4-A** 120V  
**-4-D** 240V

**QC-4K** kit is required with -4 fixture.

**2" QUICK CONNECT FLANGE KIT**

**QC-4K** kit for use with -4 fixture.



Box fill must be in compliance with National Electric Code Article 314.