

Job Name:

Fixture Type:

Museum Collection

LED Retrofit/Object-light

M61MR16


Specify:
 - - - -

FIXTURE MODEL	ADAPTER	VOLTAGE	FINISH	ACCESSORIES(optional)
---------------	---------	---------	--------	-----------------------

Example:
 - - - -
Museum Collection Fixtures

- Fits deep 2.38" (60mm) BusRun.
- Fixture rotates up to 360° and may be ordered with an on/off switch. Includes standard tilt & rotation locks.
- Accessory cartridge rotates, allowing lenses to be easily focused.
- Slotted back panel allows for air to pass through housing for efficient heat dissipation.

MR16 LED

Refer to Litelab.com for tested lamps

Ratings

15 watts maximum

Features & Benefits

Flush Fit adapter with Rotation Lock*

Adapter plugs into Busway with separate electrical and mechanical connections. Integrated transformer allows for cooler fixture operation and longer lamp life. Adapter equipped with thumb wheel horizontal rotation lock.

Stem

Durable aluminum stem, features a constant tension tilt swivel that is mechanically lockable. Standard aiming angle is 90° maximum.

Lamp Housing

Housing is attached to a precision machined aluminum heatsink by means of a ball catch, allowing for one hand relamping while never changing focus or lens orientation.

Accessory Cartridge**

Front installation permits separate lens rotation-adjustment for proper lens orientation. This optical matte black cartridge provides a built in snoot for no glare 45° cutoff and comes equipped with clear glass. Holds up to two lenses and a complete set of light blocking screens.

Lenses & Accessories**

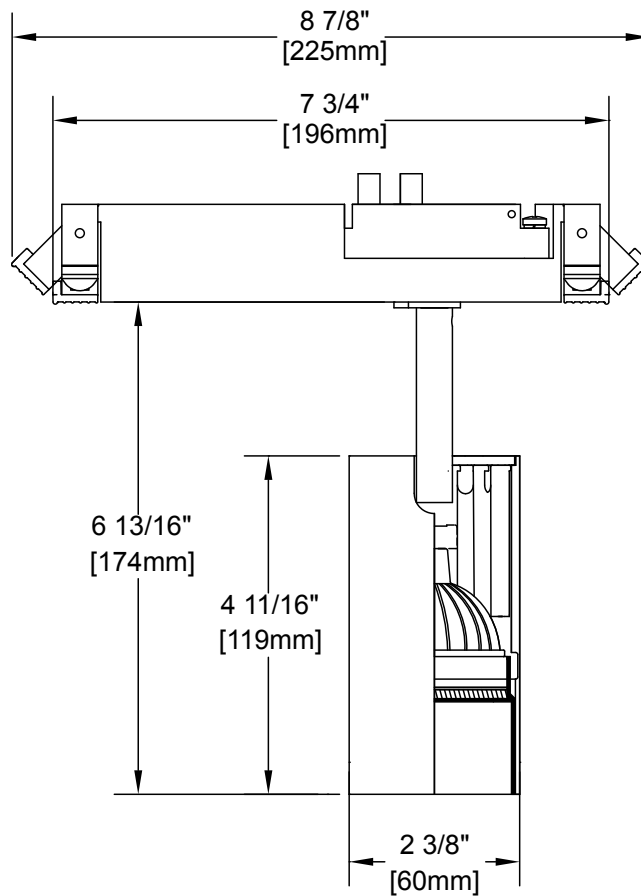
Optional 55°x75° optical patterned wallwash spread lens, 5°x30° or 5°x55° linear spread lens available. All lenses are keyed for lockable orientation. Photo etched light blocking screens and beam softener lens are also available. Accessory size code shall be 'a.'

Finishes

Available in a durable powdercoat finish of white or matte black as well as Litelab's natural aluminum. Consult for custom finishes.

Dimming

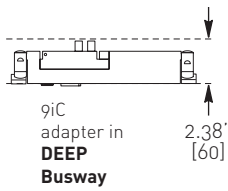
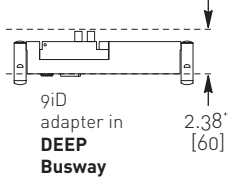
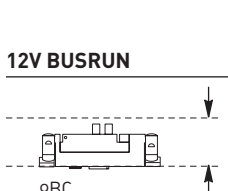
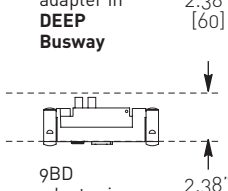
Use ELV (electronic low voltage) rated dimmers only.



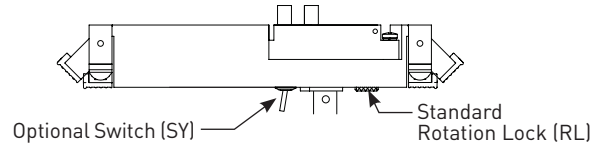
251 Elm Street Buffalo, NY 14203 USA
800-238-4120 • www.litelab.com © 10/2016

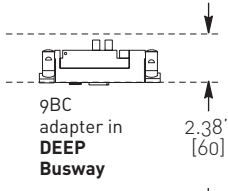
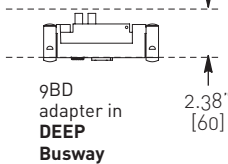
*Covered under one or more of the following patents: US: 8,740,421 B2, D499, 698, D389,012, Republic of China: D149,379, People's Republic of China: ZL 201130358013.3. Additional patents pending. **See fittings and accessories page for mounting options and accessories.

ADAPTERS

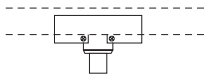
BUSRUN	adapter code	on-off switch	rotation lock	voltage
		optional	standard	
 <p>9iC adapter in DEEP Busway 2.38" [60]</p>	9iC	-SY	-RL	-A
	fused Lock n Hide fitter with integral driver for use with Deep 120V BusRun busway			
 <p>9iD adapter in DEEP Busway 2.38" [60]</p>	9iC	-SY	-RL	-D
	fused Lock n Hide fitter with integral driver for use with Deep 240V BusRun busway			
 <p>9iD adapter in DEEP Busway 2.38" [60]</p>	9iD	-SY	-RL	-A
	fused plug-in fitter with integral driver for use with Deep 120V BusRun busway			
 <p>9iD adapter in DEEP Busway 2.38" [60]</p>	9iD	-SY	-RL	-D
	fused plug-in fitter with integral driver for use with Deep 240V BusRun busway			

FITTER DETAIL HIGHLIGHTING OPTIONAL SWITCH



12V BUSRUN				
 <p>9BC adapter in DEEP Busway 2.38" [60]</p>	9BC	-SY	-RL	-B
	fused Lock n Hide fitter for use with 12V BusRun busway			
 <p>9BD adapter in DEEP Busway 2.38" [60]</p>	9BD	-SY	-RL	-B
	fused plug-in fitter for use with 12V BusRun busway			

TRACK (120V, 240V)

2-3 Circuit	
 <p>adapter for 2 Circuit adapter for 3 Circuit</p>	<p>Spec Track adapter - 3.8" [97] L x 1.25" [32] W x .75" [19] Ht for use in two or three circuit track.</p> <p>EUT-2 EUT-3</p>

ACCESSORIES

Spread Lenses	Screens
<p>Linear Spread OL- 5° x 30°- a OL- 5° x 55°-a</p> <p>Universal Spread OL- 55° x 75°-a</p> <p>Beam Softener OL-SF-a</p>	<p>Light Block Screen B-15N/a</p> <p>Photo-etched, 15% light-blocking screen. Accepts up to 5 for 30%, 45%, 60% or 75% (maximum)</p>

Note: Some LED manufacturers do not recommend the use of lenses in front of their lamps. See manufacturer for details.

FINISHES

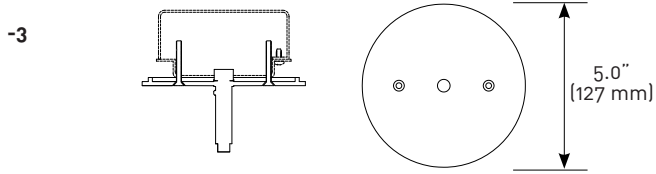
Consult with Litelab for custom finishes	
NT	Brushed Aluminum
MB	Black
P	White
CP	Custom Paint

INPUT REQUIREMENTS

Check with LED lamp manufacturer for specific lumen/input requirements.

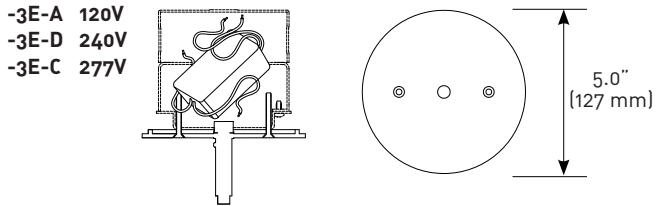
ADAPTERS

CANOPY ONLY



5" (127mm) diameter x 1/4" (6mm) height machined canopy for remote transformer. (Transformer required and ordered separately. Junction box not included.)

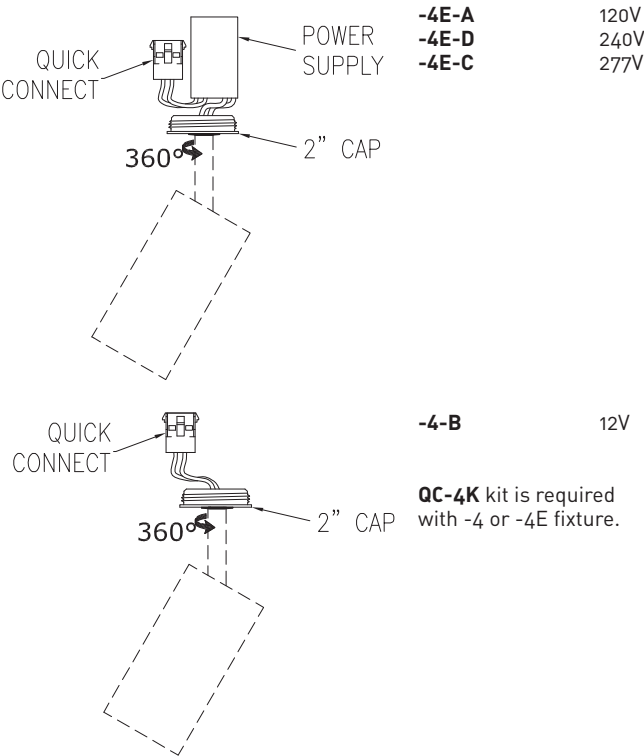
CANOPY WITH POWER SUPPLY (120V, 230V, 277V)



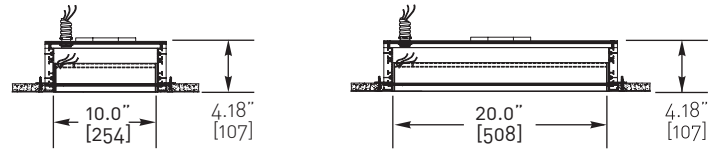
5" (127mm) diameter x 1/4" (6mm) height machined canopy with electronic low-voltage power supply. (4" x 4" x 4" junction box not included.)

2" QUICK CONNECT CANOPY

2" canopy voltage



BUSPOINTS

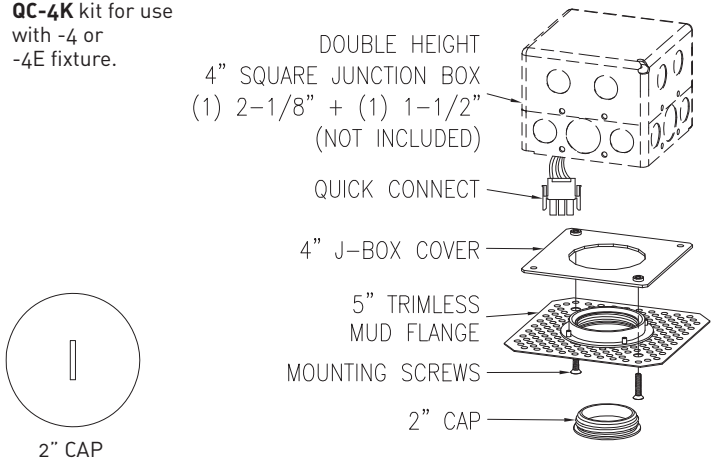


BP1-08-1A-10 120V
BP1-08-3D-10 240V

BP1-08-1A-20 120V
BP1-08-3D-20 240V

2" QUICK CONNECT FLANGE KIT

QC-4K kit for use with -4 or -4E fixture.



Box fill must be in compliance with National Electric Code Article 314.