

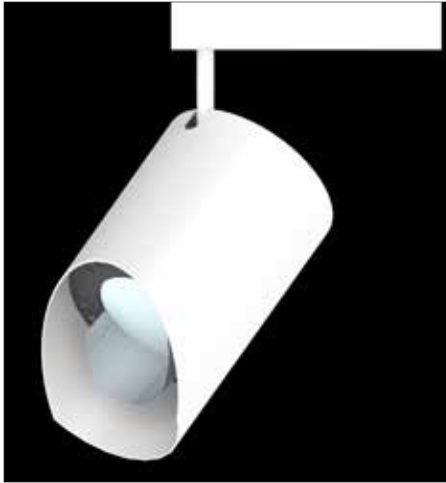
# Museum Collection

Job Name:

Fixture Type:

## LED Wallwash

### M56L3000



Specify:

M56  -  -  -  -  -

FIXTURE MODEL

LUMENS

ADAPTER

VOLTAGE

CRI

CCT

FINISH

Example:

M56 L3000 - 9HD - A - 98 30 - P

This Litelab fixture features a dedicated XICATO XTM module. To specify an LED module select the lumen, CRI, and color temperature options from below and complete the model number as shown. Adapter, voltage, finish and reflector options are shown on page two.

LUMEN OPTIONS	CRI OPTION	COLOR TEMP (CCT)	INPUT REQUIREMENTS
<b>L3000</b> 3000Lumens	98   27	98 CRI/2700K	120VAC/50-60Hz 0.31A/38W
	98   30	98 CRI/3000K	240VAC/50-60Hz 0.17A/40W
	98   35	98 CRI/3500K	277VAC/50-60Hz 0.15A/41W

## Features & Benefits

### Fixture Description

Housing is spun aluminum with perforated back cover for ventilation. Aluminum stem features lockable constant tilt swivel with 90° maximum aiming angle. Wires shall be concealed within stem. Fixture to be supplied with wallwash reflector and OL-55X75-p wallwash spread lens.

### Low Profile External Driver Housing

Adapter plugs into Busway with separate electrical and mechanical connections. An optional switch and other standard Litelab fitters are available.

### Accessory Cartridge

Wallwash cartridge design allows for enhanced passive air flow around LED components. Front installed, non-rotational and lockable, wallwash cartridge allows up to three accessories—including a range of lenses and filters.

### Lenses & Accessories\*\*

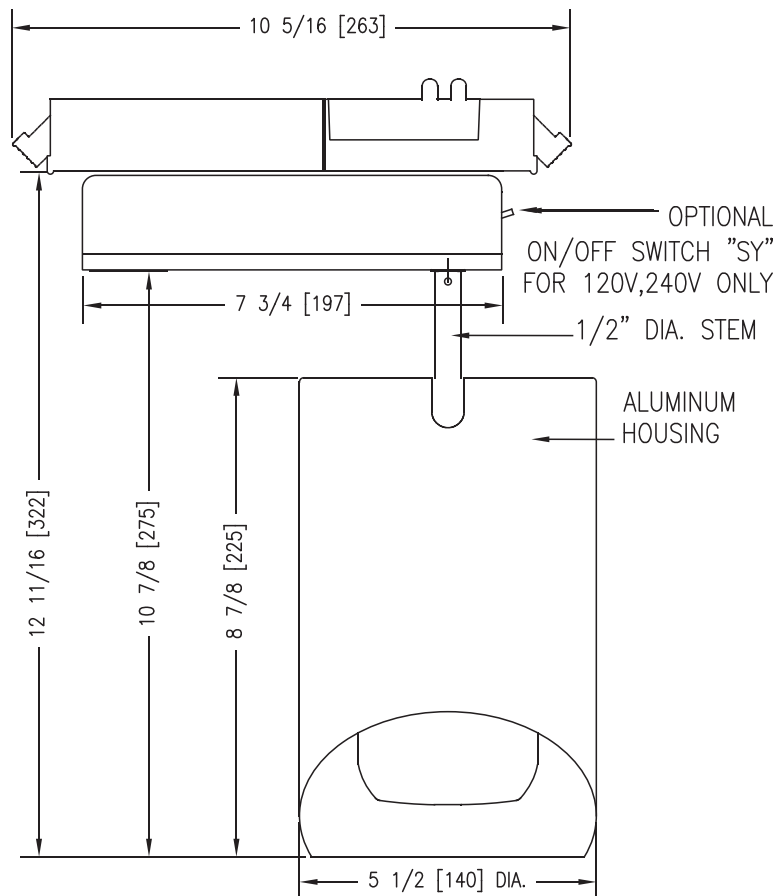
Standard 55° x 75° wallwash spread lens included with fixture. Photo etched light blocking screens are also available. Accessory size code shall be "p."

### Finishes

Available in black, white, brushed aluminum or custom finish.

### Dimming

Litelab Museum line LED fixtures are provided with LED drivers suitable for use with trailing edge dimmers. Dimming performance may vary depending on dimmer model or system.



251 Elm Street Buffalo, NY 14203 USA  
800-238-4120 • www.litelab.com © 05/18

\*\*See fittings and accessories page for mounting options and accessories.

# Input Fittings & Accessories

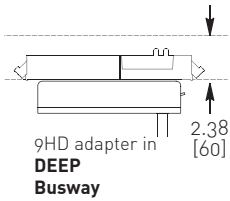
## M56 LED

Job Name:

Fixture Type:

### ADAPTERS

#### BUSRUN



adapter code	on-off switch optional	voltage
--------------	------------------------	---------

<input type="checkbox"/> 9HD	<input type="checkbox"/> -SY	<input type="checkbox"/> -A
------------------------------	------------------------------	-----------------------------

fused plug-in fitter with driver for use with **Deep 120V BusRun** busway

<input type="checkbox"/> 9HD	<input type="checkbox"/> -SY	<input type="checkbox"/> -D
------------------------------	------------------------------	-----------------------------

fused plug-in fitter with driver for use with **Deep 240V BusRun** busway

<input type="checkbox"/> 9HD	*	<input type="checkbox"/> -C
------------------------------	---	-----------------------------

fused plug-in fitter with driver for use with **Deep 277V BusRun** busway

\* switch available for 120V and 230V only

### ACCESSORIES

#### Spread Lenses

##### Universal Spread

OL- 55° x 75°-p (included)

#### Screens

##### Light Block Screen

B-15N/p

Photo-etched, 15% light-blocking screen. Accepts up to 5 for 30%, 45%, 60% or 75% (maximum)

### FINISHES

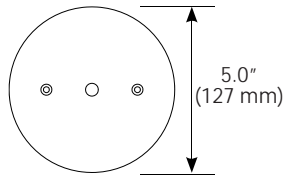
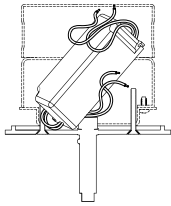
Consult with Litelab for custom finishes

- NT** Brushed Aluminum
- MB** Black
- P** White
- CP** Custom Paint

**ADAPTERS**

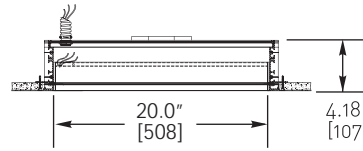
**CANOPY WITH DRIVER (120V, 240V, 277V)**

- 3L-A 120V
- 3L-D 240V
- 3L-C 277V



5" (127mm) diameter x 1/4" (6mm) height machined canopy with electronic driver. (4" diameter x 6" height junction box not included.)

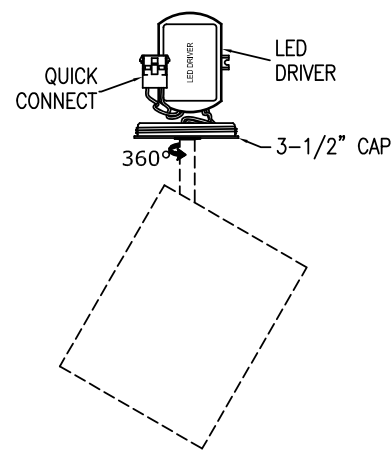
**BUSPOINTS**



- BP1-08-1A-20 120V
- BP1-08-3D-20 240V

**3-1/2" QUICK CONNECT CANOPY**

3-1/2" voltage

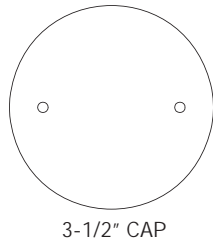
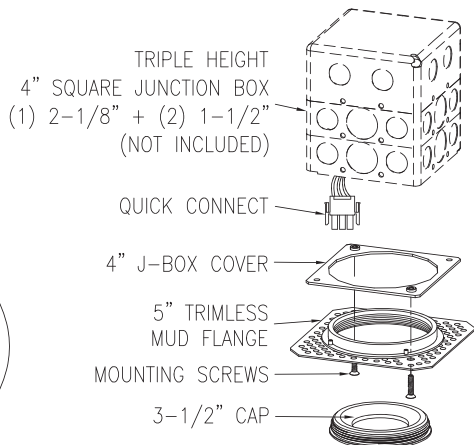


- 5L-A 120V
- 5L-D 240V
- 5L-C 277V

QC-5K kit is required with -5L fixture.

**3-1/2" QUICK CONNECT FLANGE KIT**

QC-5K kit for use with -5L fixture.



Box fill must be in compliance with National Electric Code Article 314.