

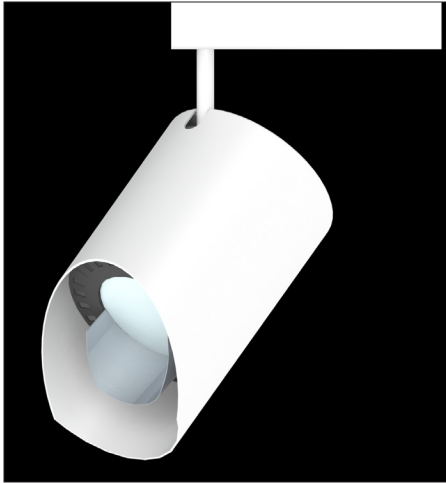
Museum Collection

Job Name:

Fixture Type:

LED Wallwash

M56L3000



Specify:

M56 - - - - -

FIXTURE MODEL

LUMENS

ADAPTER

VOLTAGE

CRI

CCT

FINISH

Example:

M56 L3000 - 9HD - A - 98 30 - P

This Litelab fixture features a dedicated XICATO XTM module. To specify an LED module select the lumen, CRI, and color temperature options from below and complete the model number as shown. Adapter, voltage, finish and reflector options are shown on page two.

LUMEN OPTIONS	CRI OPTION	COLOR TEMP (CCT)	INPUT REQUIREMENTS
L3000 3000Lumens	95 27	95 CRI/2700K	120VAC/50-60Hz 0.31A/38W
	95 30	95 CRI/3000K	240VAC/50-60Hz 0.17A/40W
	95 35	95 CRI/3500K	277VAC/50-60Hz 0.15A/41W

Features & Benefits

Fixture Description

Housing is spun aluminum with perforated back cover for ventilation. Aluminum stem features lockable constant tilt swivel with 90° maximum aiming angle. Wires shall be concealed within stem. Fixture to be supplied with wallwash reflector and OL-55X75-p wallwash spread lens.

Low Profile External Driver Housing

Adapter plugs into Busway with separate electrical and mechanical connections. An optional switch and other standard Litelab fitters are available.

Accessory Cartridge

Wallwash cartridge design allows for enhanced passive air flow around LED components. Front installed, non-rotational and lockable, wallwash cartridge allows up to three accessories—including a range of lenses and filters.

Lenses & Accessories**

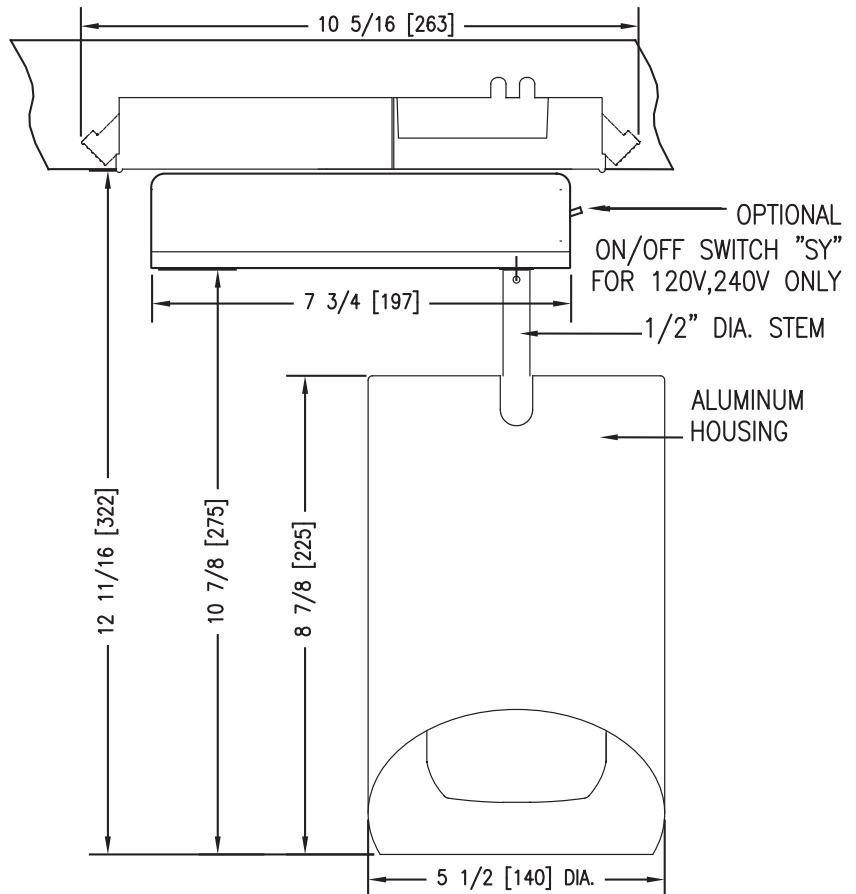
Standard 55° x 75° wallwash spread lens included with fixture. Photo etched light blocking screens are also available. Accessory size code shall be "p."

Finishes

Available in black, white, brushed aluminum or custom finish.

Dimming

Litelab Museum line LED fixtures are provided with LED drivers suitable for use with trailing edge dimmers. Dimming performance may vary depending on dimmer model or system.



251 Elm Street Buffalo, NY 14203 USA
800-238-4120 • www.litelab.com © 04/18

**See fittings and accessories page for mounting options and accessories.

Input Fittings & Accessories

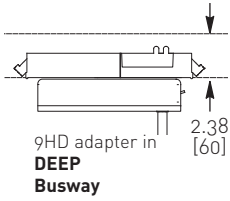
M56 LED

Job Name:

Fixture Type:

ADAPTERS

BUSRUN



adapter code	on-off switch	voltage
	optional	

9HD	-SY	-A
fused plug-in fitter with driver for use with Deep 120V BusRun busway		

9HD	-SY	-D
fused plug-in fitter with driver for use with Deep 240V BusRun busway		

9HD	*	-C
fused plug-in fitter with driver for use with Deep 277V BusRun busway		

* switch available for 120V and 230V only

ACCESSORIES

Spread Lenses

Universal Spread
OL- 55° x 75°-p
(included)

Screens

Light Block Screen
B-15N/p

Photo-etched, 15% light-blocking screen. Accepts up to 5 for 30%, 45%, 60% or 75% (maximum)

FINISHES

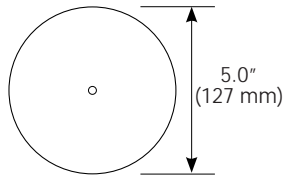
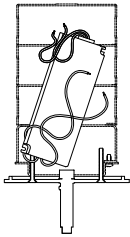
Consult with Litelab for custom finishes

NT	Brushed Aluminum
MB	Black
P	White
CP	Custom Paint

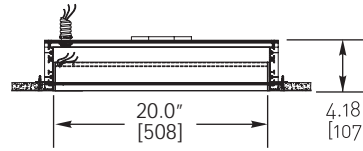
ADAPTERS

CANOPY WITH DRIVER (120V, 240V, 277V)

- 3L-A 120V
- 3L-D 240V
- 3L-C 277V



BUSPOINTS

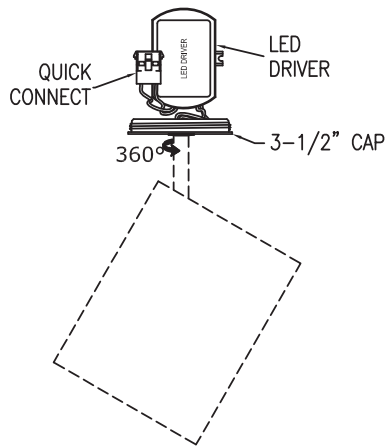


- BP1-08-1A-20 120V
- BP1-08-3D-20 240V
- BP1-08-3C-20 277V

5" (127mm) diameter x 1/4" (6mm) height machined canopy with electronic driver. (4" diameter x 6" height junction box not included.)

3-1/2" QUICK CONNECT CANOPY

3-1/2" voltage

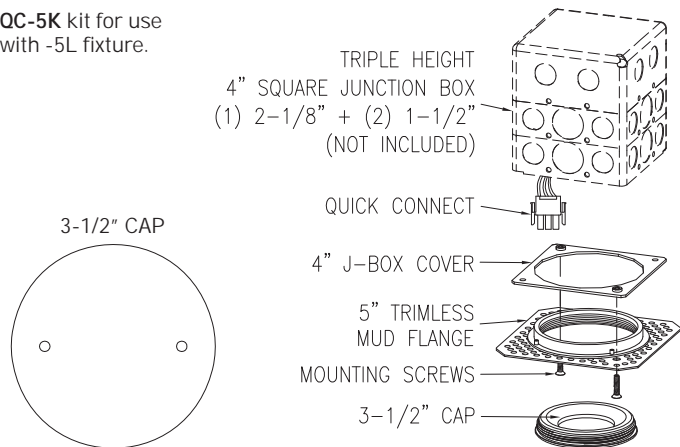


- 5L-A 120V
- 5L-D 240V
- 5L-C 277V

QC-5K kit is required with -5L fixture.

3-1/2" QUICK CONNECT FLANGE KIT

QC-5K kit for use with -5L fixture.



Box fill must be in compliance with National Electric Code Article 314.