

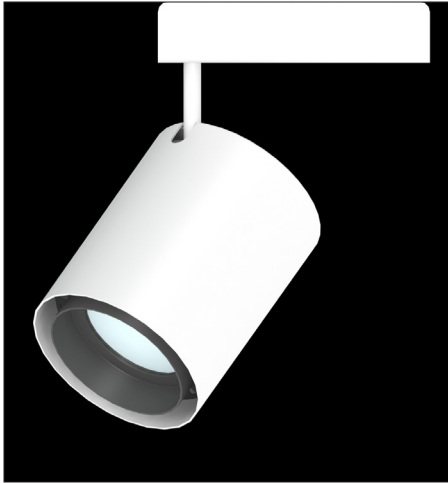
Museum Collection

Job Name:

Fixture Type:

LED Object

M55L3000



Specify:

M55 - - - - - - -

FIXTURE MODEL

LUMENS

ADAPTER

VOLTAGE

CRI

CCT

FINISH

REFLECTOR

Example:

M55 L3000 - 9HD - A - 98 30 - P - 20

This Litelab fixture features a dedicated XICATO XTM module. To specify an LED module select the lumen, CRI, and color temperature options from below and complete the model number as shown. Adapter, voltage, finish and reflector options are shown on page two.

LUMEN OPTIONS	CRI OPTION	COLOR TEMP (CCT)	INPUT REQUIREMENTS
L3000 3000Lumens	98 27	98 CRI/2700K	120VAC/50-60Hz 0.31A/38W
	98 30	98 CRI/3000K	240VAC/50-60Hz 0.17A/40W
	98 35	98 CRI/3500K	277VAC/50-60Hz 0.15A/41W

Features & Benefits

Fixture Description

Housing is spun aluminum with perforated back cover for ventilation. Aluminum stem features lockable constant tilt swivel with 90° maximum aiming angle. Fixture to be supplied with baffle/accessories holder and OL-L10P1-p beam softener film.

Low Profile External Driver Housing

Adapter plugs into Busway with separate electrical and mechanical connections. An optional switch and other standard Litelab fitters are available.

Accessory Cartridge

Cartridge design allows for enhanced passive air flow around LED components. Front installed, rotational and lockable, optical matte black cartridge allows up to three accessories—including a range of lenses and filters.

Lenses & Accessories**

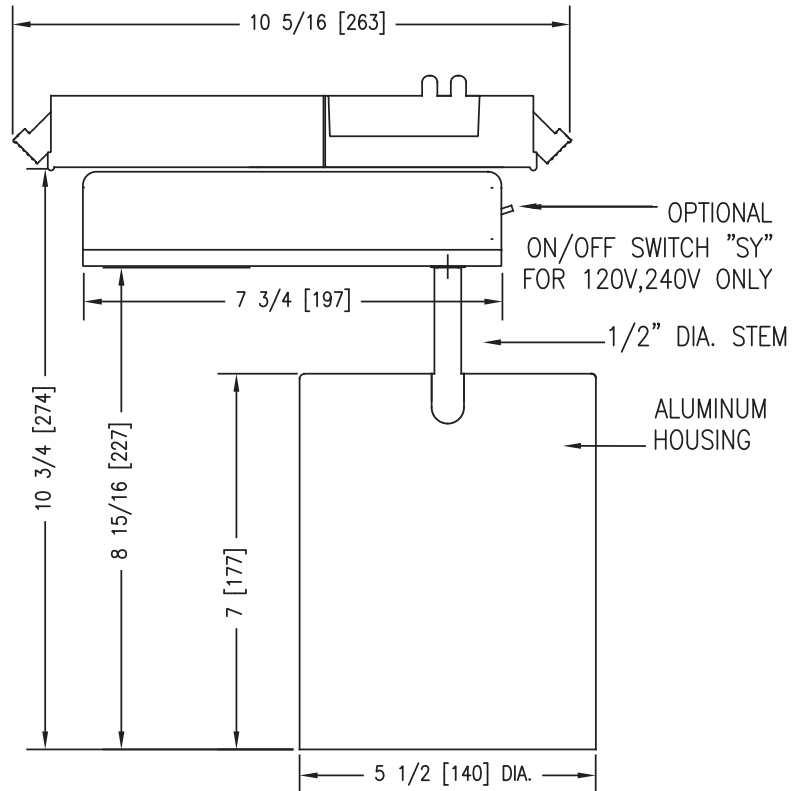
Standard clear lenses are available in 55° x 75°, 5° x 30° and 5° x 55° optical patterns. Photo etched light blocking screens and beam softener lens are also available. Accessory size code shall be "p."

Finishes

Available in black, white, brushed aluminum or custom finish.

Dimming

Litelab Museum line LED fixtures are provided with LED drivers suitable for use with trailing edge dimmers. Dimming performance may vary depending on dimmer model or system.



251 Elm Street Buffalo, NY 14203 USA
800-238-4120 • www.litelab.com © 05/18

**See fittings and accessories page for mounting options and accessories.

Input Fittings & Accessories

M55 LED

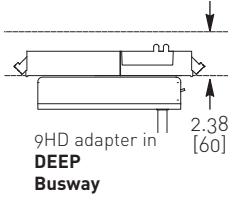
Job Name:

Fixture Type:

ADAPTERS

BUSRUN

adapter code	on-off switch optional	voltage
--------------	------------------------	---------



<input type="checkbox"/> 9HD	<input type="checkbox"/> -SY	<input type="checkbox"/> -A
------------------------------	------------------------------	-----------------------------

fused plug-in fitter with driver for use with **Deep 120V BusRun** busway

<input type="checkbox"/> 9HD	<input type="checkbox"/> -SY	<input type="checkbox"/> -D
------------------------------	------------------------------	-----------------------------

fused plug-in fitter with driver for use with **Deep 240V BusRun** busway

<input type="checkbox"/> 9HD	*	<input type="checkbox"/> -C
------------------------------	---	-----------------------------

fused plug-in fitter with driver for use with **Deep 277V BusRun** busway

* switch available for 120V and 230V only

REFLECTORS

(20) – 20°	21619-20
(40) – 40°	21619-40
(60) – 60°	21619-60

One reflector included with fixture (specify.)
Reflectors are interchangeable. Additional reflectors ordered separately.

FINISHES

Consult with Litelab for custom finishes

<input type="checkbox"/> NT	Brushed Aluminum
<input type="checkbox"/> MB	Black
<input type="checkbox"/> P	White
<input type="checkbox"/> CP	Custom Paint

ACCESSORIES

Spread Lenses

Linear Spread

<input type="checkbox"/> OL- 5° x 30°-p
<input type="checkbox"/> OL- 5° x 55°-p

Universal Spread

<input type="checkbox"/> OL- 55° x 75°-p

Beam Softener

<input type="checkbox"/> OL-SF-p
<input type="checkbox"/> OL-L10P1-p polycarbonate film (included)

Screens

Light Block Screen

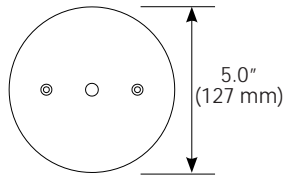
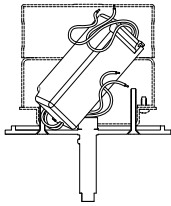
<input type="checkbox"/> B-15N/p

Photo-etched, 15% light-blocking screen. Accepts up to 5 for 30%, 45%, 60% or 75% (maximum)

ADAPTERS

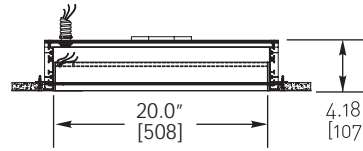
CANOPY WITH DRIVER (120V, 240V, 277V)

- 3L-A 120V
- 3L-D 240V
- 3L-C 277V



5" (127mm) diameter x 1/4" (6mm) height machined canopy with electronic driver. (4" diameter x 6" height junction box not included.)

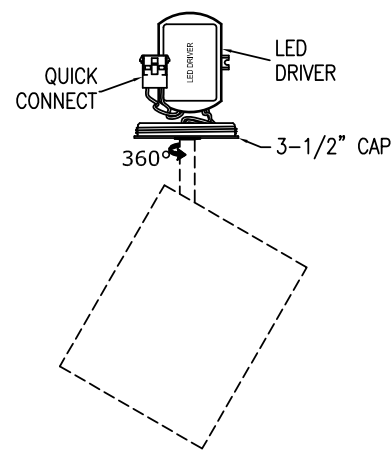
BUSPOINTS



- BP1-08-1A-20 120V
- BP1-08-3D-20 240V

3-1/2" QUICK CONNECT CANOPY

3-1/2" voltage

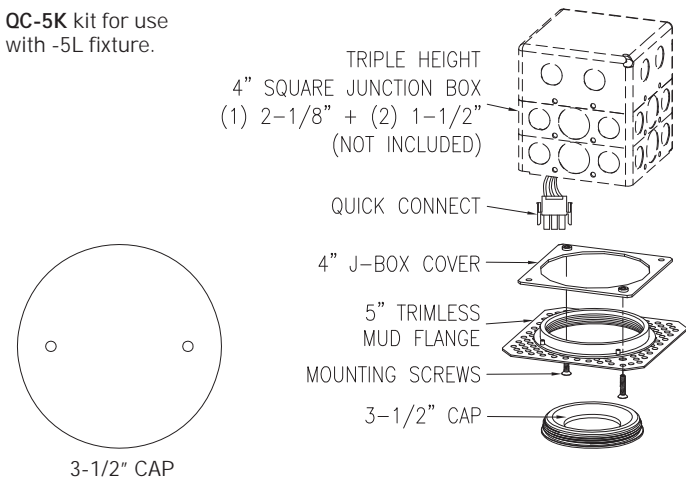


- 5L-A 120V
- 5L-D 240V
- 5L-C 277V

QC-5K kit is required with -5L fixture.

3-1/2" QUICK CONNECT FLANGE KIT

QC-5K kit for use with -5L fixture.



Box fill must be in compliance with National Electric Code Article 314.