

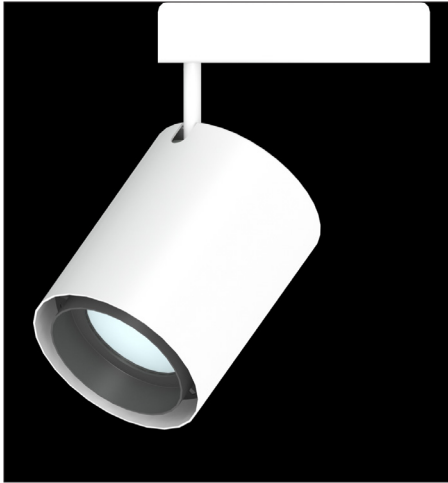
# Museum Collection

Job Name:

Fixture Type:

## LED Object

### M55L3000



Specify:

M55  -  -  -  -  -  -  -

FIXTURE MODEL

LUMENS

ADAPTER

VOLTAGE

CRI

CCT

FINISH

REFLECTOR

Example:

M55 L3000 - 9HD - A - 98 30 - P - 20

This Litelab fixture features a dedicated XICATO XTM module. To specify an LED module select the lumen, CRI, and color temperature options from below and complete the model number as shown. Adapter, voltage, finish and reflector options are shown on page two.

LUMEN OPTIONS	CRI OPTION	COLOR TEMP (CCT)	INPUT REQUIREMENTS
<b>L3000</b> 3000Lumens	95   27	95 CRI/2700K	120VAC/50-60Hz 0.31A/38W
	95   30	95 CRI/3000K	240VAC/50-60Hz 0.17A/40W
	95   35	95 CRI/3500K	277VAC/50-60Hz 0.15A/41W

## Features & Benefits

### Fixture Description

Housing is spun aluminum with perforated back cover for ventilation. Aluminum stem features lockable constant tilt swivel with 90° maximum aiming angle. Fixture to be supplied with baffle/ accessories holder and OL-L10P1-p beam softener film.

### Low Profile External Driver Housing

Adapter plugs into Busway with separate electrical and mechanical connections. An optional switch and other standard Litelab fitters are available.

### Accessory Cartridge

Cartridge design allows for enhanced passive air flow around LED components. Front installed, rotational and lockable, optical matte black cartridge allows up to three accessories—including a range of lenses and filters.

### Lenses & Accessories\*\*

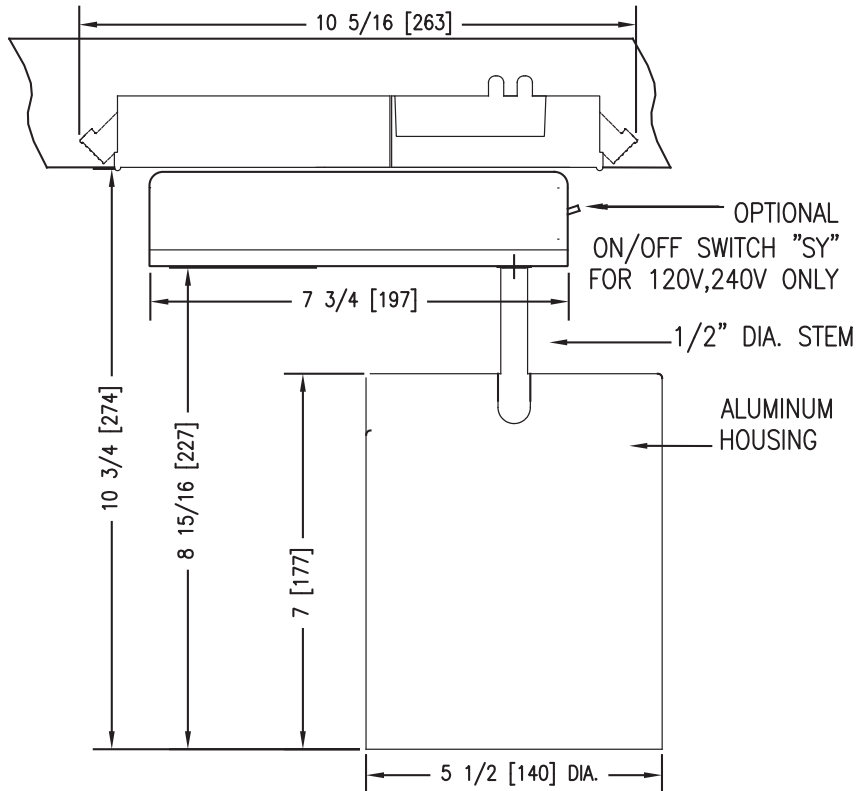
Standard clear lenses are available in 55° x 75°, 5° x 30° and 5° x 55° optical patterns. Photo etched light blocking screens and beam softener lens are also available. Accessory size code shall be "p."

### Finishes

Available in black, white, brushed aluminum or custom finish.

### Dimming

Litelab Museum line LED fixtures are provided with LED drivers suitable for use with trailing edge dimmers. Dimming performance may vary depending on dimmer model or system.



251 Elm Street Buffalo, NY 14203 USA  
800-238-4120 • www.litelab.com © 04/18

\*\*See fittings and accessories page for mounting options and accessories.

# Input Fittings & Accessories

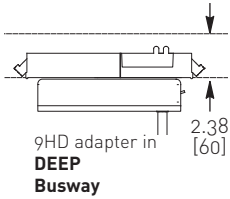
## M55 LED

Job Name:

Fixture Type:

### ADAPTERS

#### BUSRUN



adapter code	on-off switch	voltage
	optional	

<b>9HD</b>	<b>-SY</b>	<b>-A</b>
fused plug-in fitter with driver for use with <b>Deep 120V BusRun</b> busway		

<b>9HD</b>	<b>-SY</b>	<b>-D</b>
fused plug-in fitter with driver for use with <b>Deep 240V BusRun</b> busway		

<b>9HD</b>	<b>*</b>	<b>-C</b>
fused plug-in fitter with driver for use with <b>Deep 277V BusRun</b> busway		

\* switch available for 120V and 230V only

### REFLECTORS

(20) – 20°	21619-20
(40) – 40°	21619-40
(60) – 60°	21619-60

One reflector included with fixture (specify.)  
Reflectors are interchangeable. Additional reflectors ordered separately.

### FINISHES

Consult with Litelab for custom finishes

<b>NT</b>	Brushed Aluminum
<b>MB</b>	Black
<b>P</b>	White
<b>CP</b>	Custom Paint

### ACCESSORIES

#### Spread Lenses

##### Linear Spread

OL- 5° x 30°-p  
OL- 5° x 55°-p

##### Universal Spread

OL- 55° x 75°-p

##### Beam Softener

OL-SF-p  
OL-L10P1-p  
polycarbonate film (included)

#### Screens

##### Light Block Screen

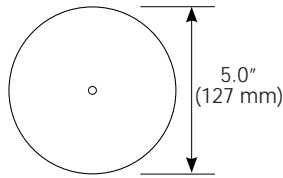
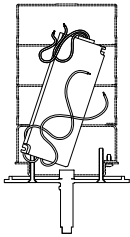
B-15N/p

Photo-etched, 15% light-blocking screen. Accepts up to 5 for 30%, 45%, 60% or 75% (maximum)

**ADAPTERS**

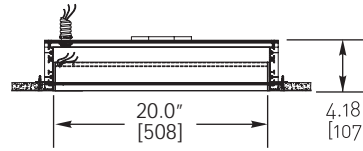
**CANOPY WITH DRIVER (120V, 240V, 277V)**

- 3L-A 120V
- 3L-D 240V
- 3L-C 277V



5" (127mm) diameter x 1/4" (6mm) height machined canopy with electronic driver. (4" diameter x 6" height junction box not included.)

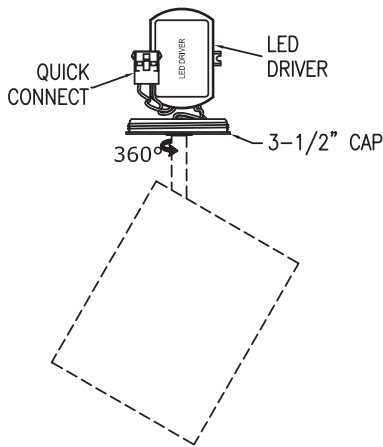
**BUSPOINTS**



- BP1-08-1A-20 120V
- BP1-08-3D-20 240V
- BP1-08-3C-20 277V

**3-1/2" QUICK CONNECT CANOPY**

3-1/2" voltage

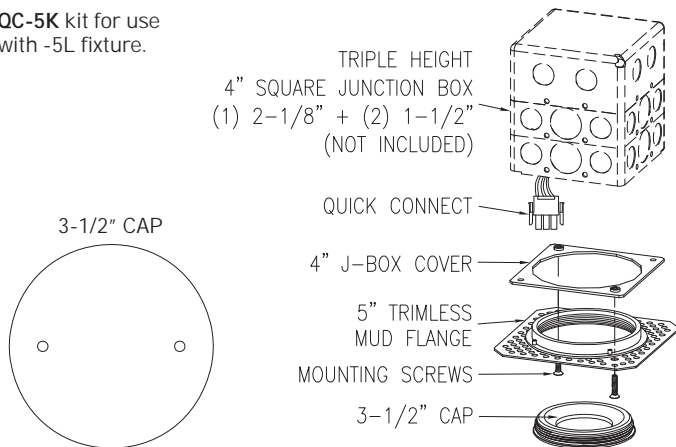


- 5L-A 120V
- 5L-D 240V
- 5L-C 277V

QC-5K kit is required with -5L fixture.

**3-1/2" QUICK CONNECT FLANGE KIT**

QC-5K kit for use with -5L fixture.



Box fill must be in compliance with National Electric Code Article 314.