

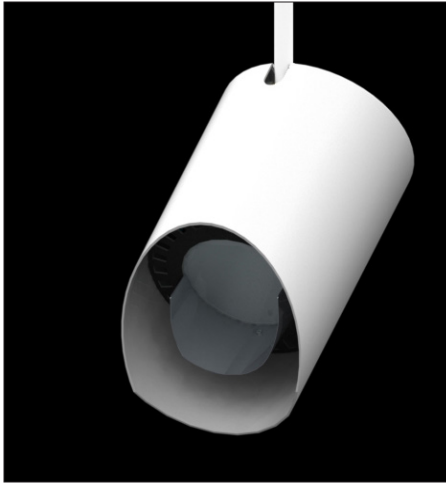
Museum Collection

Job Name:

Fixture Type:

LED Wallwash

M40L1300/M40L2000



Specify:

M40 - - - - -

FIXTURE MODEL LUMENS ADAPTER VOLTAGE CRI CCT FINISH

Example:

M40 L2000 - 9LC-RL - A - 98 30 - P

This Litelab fixture features a dedicated XICATO XTM module. To specify an LED module select the lumen, CRI, and color temperature options from below and complete the model number as shown. Adapter, voltage, finish and reflector options are shown on page two.

LUMEN OPTIONS		CRI OPTIONS		COLOR TEMP (CCT)	
L1300	1300 lumens	98	98 CRI	27	2700°K
				30	3000°K
				35	3500°K
L2000	2000 lumens	98	98 CRI	27	2700°K
				30	3000°K
				35	3500°K

83 CRI available, consult factory.

Features & Benefits

Fixture Description

Housing is spun aluminum with perforated back cover for ventilation. Aluminum stem features lockable constant tilt swivel with 90° maximum aiming angle. Wires shall be concealed within stem. Fixture to be supplied with wallwash reflector and OL-55X75-p wallwash spread lens.

Flush Fit adapter with Rotation Lock *

Adapter plugs into Busway with separate electrical and mechanical connections. Integrated driver allows for cooler fixture operation and longer LED life. Supplied with standard thumb wheel rotation lock. An optional switch and other standard Litelab fitters are available.

Accessory Cartridge

Cartridge design allows for enhanced passive air flow around LED components. Front installed, non-rotational, wallwash cartridge allows up to three accessories—including a range of lenses and filters.

Lenses & Accessories**

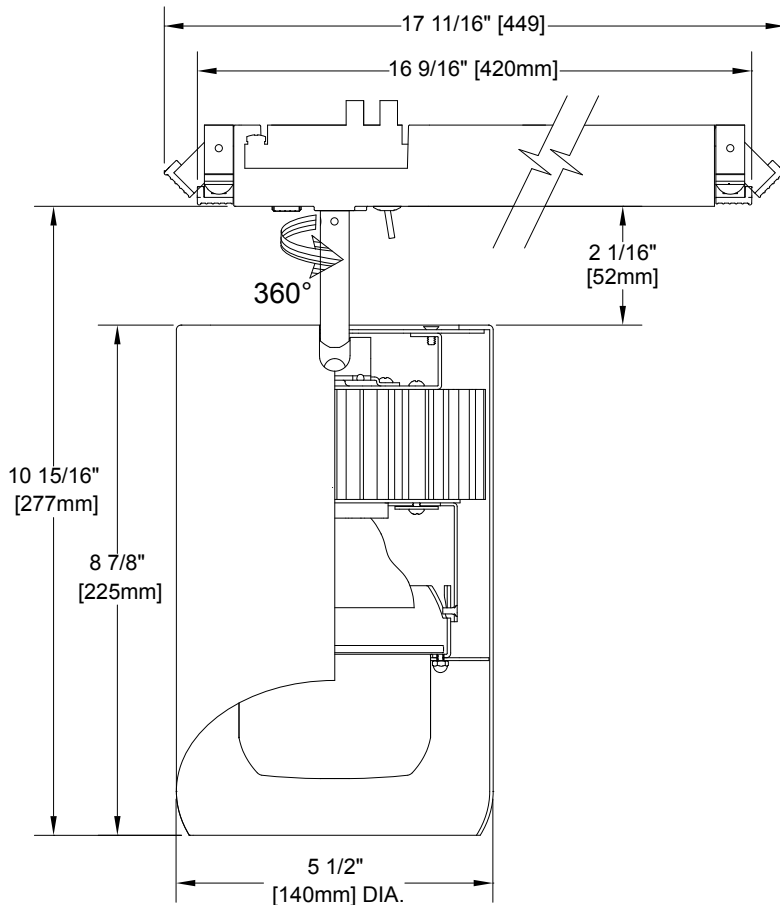
Standard 55° x 75° wallwash spread lens included with fixture. Photo etched light blocking screens also available. Accessory code shall be "p."

Finishes

Available in black, white, brushed aluminum or custom finish.

Dimming

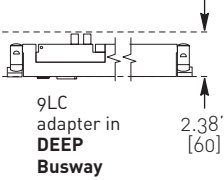
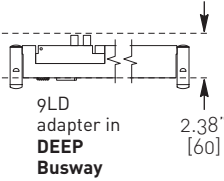
Litelab Museum line LED fixtures are provided with LED drivers suitable for trailing edge dimmers. Dimming performance may vary depending on dimmer model or system.



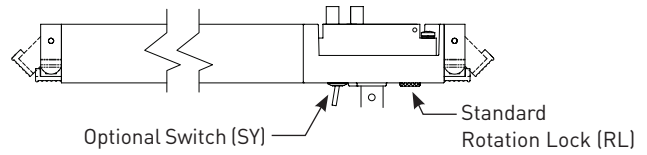
251 Elm Street Buffalo, NY 14203 USA
800-238-4120 • www.litelab.com © 10/16

*Covered under one or more of the following patents: US: 8,740,421 B2, D499, 698, D389,012, Republic of China: D149,379, People's Republic of China: ZL 201130358013.3. Additional patents pending. **See fittings and accessories page for mounting options and accessories.

ADAPTERS

BUSRUN	adapter code	on-off switch	rotation lock	voltage
		optional	standard	
 <p>9LC adapter in DEEP Busway 2.38" [60]</p>	9LC	-SY	-RL	-A
	fused Lock n Hide fitter with integral driver for use with Deep 120V BusRun busway			
 <p>9LD adapter in DEEP Busway 2.38" [60]</p>	9LC	-SY	-RL	-D
	fused Lock n Hide fitter with integral driver for use with Deep 240V BusRun busway			
	9LD	-SY	-RL	-A
	fused plug-in fitter with integral driver for use with Deep 120V BusRun busway			
	9LD	-SY	-RL	-D
	fused plug-in fitter with integral driver for use with Deep 240V BusRun busway			

FITTER DETAIL HIGHLIGHTING OPTIONAL SWITCH



ACCESSORIES

Spread Lenses

Universal Spread
OL- 55° x 75°-p
(included)

Screens

Light Block Screen
B-15N/p

Photo-etched, 15% light-blocking screen. Accepts up to 5 for 30%, 45%, 60% or 75% (maximum)

FINISHES

Consult with Litelab for custom finishes

- NT** Brushed Aluminum
- MB** Black
- P** White
- CP** Custom Paint

INPUT REQUIREMENTS

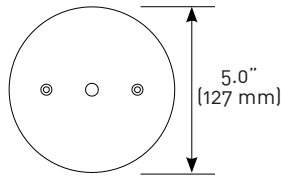
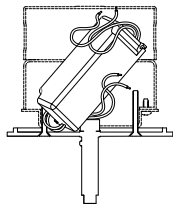
L1300 1300 lumens	120VAC/50-60Hz:	20.4w/0.17A
	230VAC/50-60Hz:	23.0w/0.1A
	277VAC/50-60Hz:	19.3w/0.07A*
L2000 2000 lumens	120VAC/50-60Hz:	32.4w/0.27A
	230VAC/50-60Hz:	34.5w/0.15A
	277VAC/50-60Hz:	33.1w/0.12A*

* 277v available with canopy fixture only.

ADAPTERS

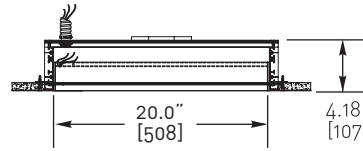
CANOPY WITH DRIVER (120V, 240V, 277V)

- 3L-A 120V
- 3L-D 240V
- 3L-C 277V



5" (127mm) diameter x 1/4" (6mm) height machined canopy with electronic driver. (4" diameter x 6" height junction box not included.)

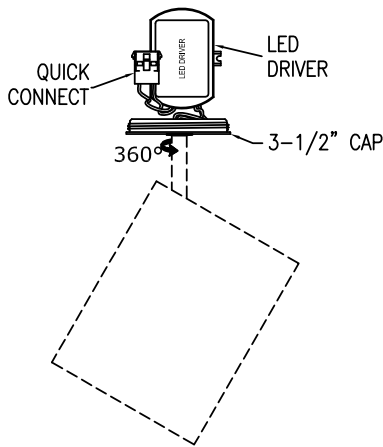
BUSPOINTS



- BP1-08-1A-20** 120V
- BP1-08-3D-20** 240V

3-1/2" QUICK CONNECT CANOPY

3-1/2" canopy voltage

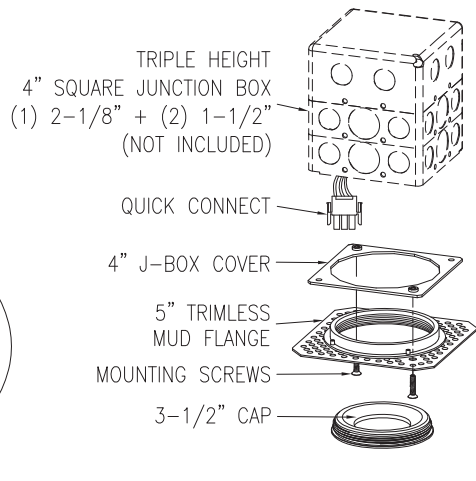


- 5L-A 120V
- 5L-D 240V
- 5L-C 277V

QC-5K kit is required with -5L fixture.

3-1/2" QUICK CONNECT FLANGE KIT

QC-5K kit for use with -5L fixture.



Box fill must be in compliance with National Electric Code Article 314.