

# Museum Collection

Job Name:

Fixture Type:

## LED Object

### M39L1300/M39L2000



#### Specify:

M39 - - - - -

FIXTURE MODEL LUMENS ADAPTER VOLTAGE CRI CCT FINISH REFLECTOR

#### Example:

M39 L2000 - 9LC-RL - A - 98 30 - P - 20

This Litelab fixture features a dedicated XICATO XTM module. To specify an LED module select the lumen, CRI, and color temperature options from below and complete the model number as shown. Adapter, voltage, finish and reflector options are shown on page two.

LUMEN OPTIONS		CRI OPTIONS		COLOR TEMP (CCT)	
<b>L1300</b>	1300 lumens	<b>98</b>	98 CRI	<b>27</b>	2700°K
				<b>30</b>	3000°K
				<b>35</b>	3500°K
<b>L2000</b>	2000 lumens	<b>98</b>	98 CRI	<b>27</b>	2700°K
				<b>30</b>	3000°K
				<b>35</b>	3500°K

83 CRI available, consult factory.

## Features & Benefits

### Fixture Description

Housing is spun aluminum with perforated back cover for ventilation. Aluminum stem features lockable constant tilt swivel with 90° maximum aiming angle. Fixture to be supplied with baffle/accessories holder and OL-L10P1-p beam softener film.

### Flush Fit adapter with Rotation Lock \*

Adapter plugs into Busway with separate electrical and mechanical connections. Integrated driver allows for cooler fixture operation and longer LED life. Supplied with standard thumb wheel rotation lock. An optional switch and other standard Litelab fitters are available.

### Accessory Cartridge

Cartridge design allows for enhanced passive air flow around LED components. Front installed, rotational and lockable, optical matte black cartridge allows up to three accessories—including a range of lenses and filters.

### Lenses & Accessories\*\*

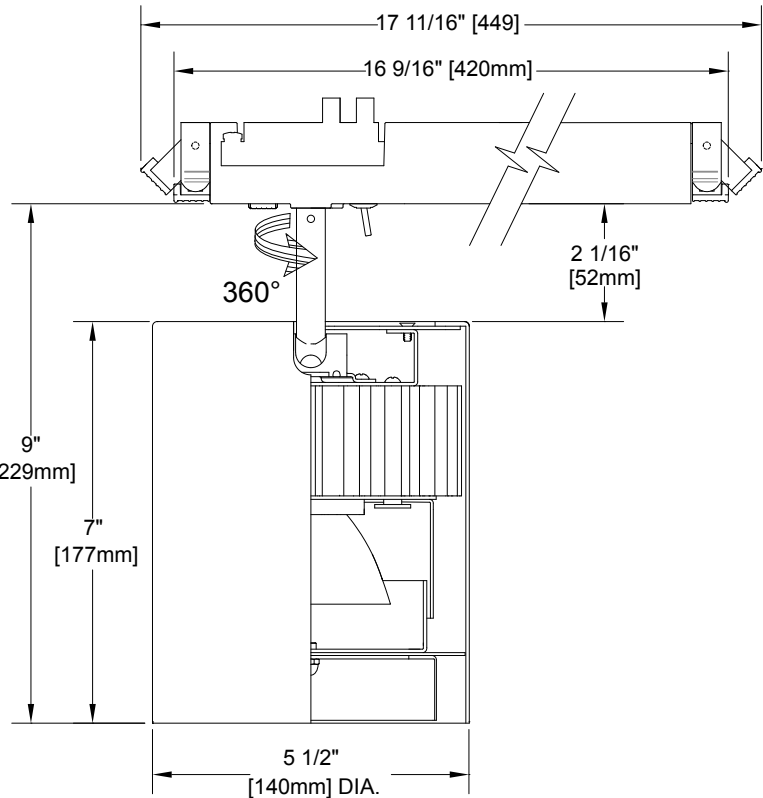
Standard clear lenses are available in 55° x 75°, 5° x 30° and 5° x 55° optical patterns. Photo etched light blocking screens and beam softener lens are also available. Accessory code shall be "p."

### Finishes

Available in black, white, brushed aluminum or custom finish.

### Dimming

Litelab Museum line LED fixtures are provided with LED drivers suitable for trailing edge dimmers. Dimming performance may vary depending on dimmer model or system.



251 Elm Street Buffalo, NY 14203 USA  
800-238-4120 • www.litelab.com © 10/16

\*Covered under one or more of the following patents: US: 8,740,421 B2, D499, 698, D389,012, Republic of China: D149,379, People's Republic of China: ZL 201130358013.3. Additional patents pending. \*\*See fittings and accessories page for mounting options and accessories.

# Input Fittings & Accessories

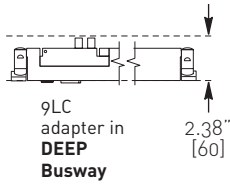
M39 LED

Job Name:

Fixture Type:

## ADAPTERS

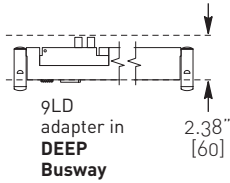
### BUSRUN



adapter code	on-off switch	rotation lock	voltage
	optional	standard	

**9LC -SY -RL -A**  
fused Lock n Hide fitter with integral driver for use with **Deep 120V BusRun** busway

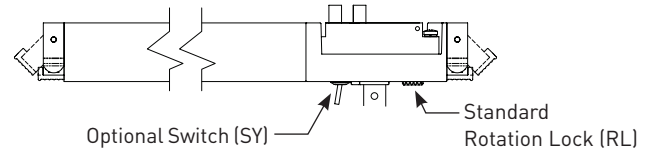
**9LC -SY -RL -D**  
fused Lock n Hide fitter with integral driver for use with **Deep 240V BusRun** busway



**9LD -SY -RL -A**  
fused plug-in fitter with integral driver for use with **Deep 120V BusRun** busway

**9LD -SY -RL -D**  
fused plug-in fitter with integral driver for use with **Deep 240V BusRun** busway

### FITTER DETAIL HIGHLIGHTING OPTIONAL SWITCH



## REFLECTORS

(20) - 20°	21619-20
(40) - 40°	21619-40
(60) - 60°	21619-60

One reflector included with fixture (specify.)  
Reflectors are interchangeable. Additional reflectors ordered separately.

## FINISHES

Consult with Litelab for custom finishes

**NT** Brushed Aluminum  
**MB** Black  
**P** White  
**CP** Custom Paint

## ACCESSORIES

Spread Lenses

Screens

**Linear Spread**  
OL- 5° x 55°-p

**Light Block Screen**  
B-15N/p

**Universal Spread**  
OL- 55° x 75°-p

Photo-etched, 15% light-blocking screen. Accepts up to 5 for 30%, 45%, 60% or 75% (maximum)

**Beam Softener**  
OL-SF-p  
OL-L10P1-p  
polycarbonate film (included)

## INPUT REQUIREMENTS

<b>L1300</b> 1300 lumens	<b>120VAC/50-60Hz:</b>	20.4w/0.17A
	<b>230VAC/50-60Hz:</b>	23.0w/0.1A
	<b>277VAC/50-60Hz:</b>	19.3w/0.07A*
<b>L2000</b> 2000 lumens	<b>120VAC/50-60Hz:</b>	32.4w/0.27A
	<b>230VAC/50-60Hz:</b>	34.5w/0.15A
	<b>277VAC/50-60Hz:</b>	33.1w/0.12A*

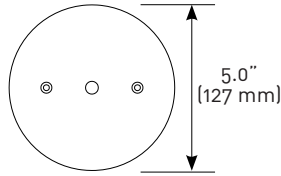
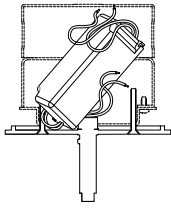
\* 277v available with canopy fixture only.



**ADAPTERS**

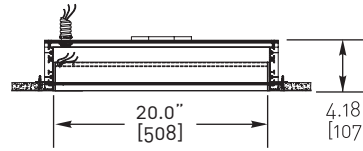
**CANOPY WITH DRIVER (120V, 240V, 277V)**

- 3L-A 120V
- 3L-D 240V
- 3L-C 277V



5" (127mm) diameter x 1/4" (6mm) height machined canopy with electronic driver. (4" diameter x 6" height junction box not included.)

**BUSPOINTS**

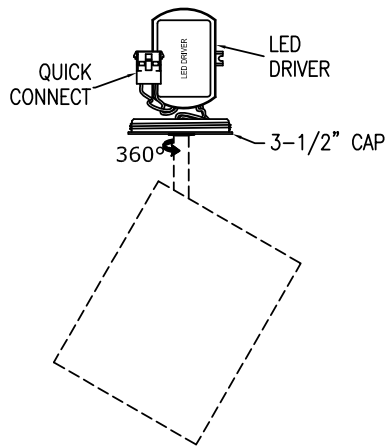


- BP1-08-1A-20**
- BP1-08-3D-20**

- 120V
- 240V

**3-1/2" QUICK CONNECT CANOPY**

3-1/2" canopy voltage

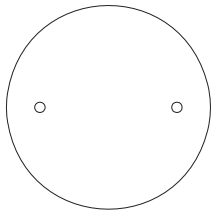
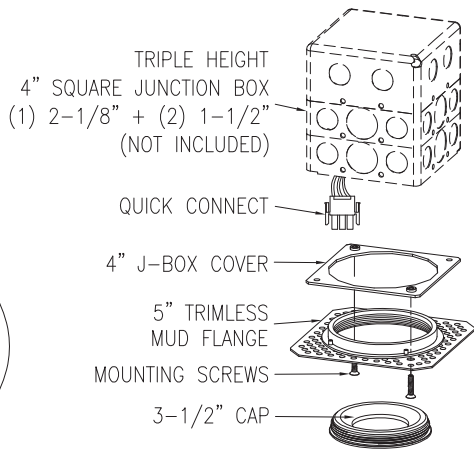


- 5L-A 120V
- 5L-D 240V
- 5L-C 277V

**QC-5K** kit is required with -5L fixture.

**3-1/2" QUICK CONNECT FLANGE KIT**

**QC-5K** kit for use with -5L fixture.



3-1/2" CAP

Box fill must be in compliance with National Electric Code Article 314.