

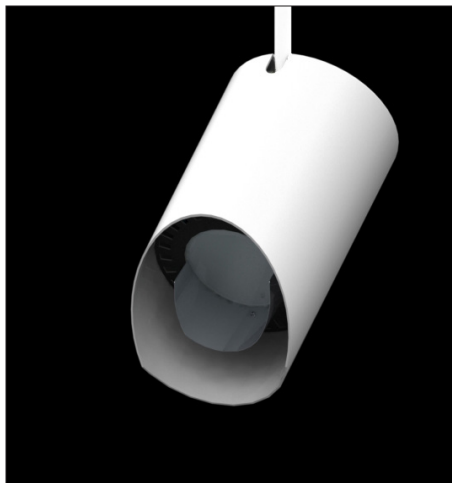
Job Name:

Fixture Type:

## Museum Collection

### LED Wallwash

### M38L1300/M38L2000



#### Specify:

M38 [ ] - [ ] - [ ] - [ ] - [ ] - [ ] - [ ] - [ ]

FIXTURE MODEL LUMENS ADAPTER VOLTAGE CRI CCT FINISH

#### Example:

M38 L2000 - 9AC-RL - A - 98 30 - P

This Litelab fixture features a dedicated XICATO XTM module. To specify an LED module select the lumen, CRI, and color temperature options from below and complete the model number as shown. Adapter, voltage, finish and reflector options are shown on page two.

LUMEN OPTIONS		CRI OPTIONS		COLOR TEMP (CCT)	
<b>L1300</b>	1300 lumens	<b>98</b>	98 CRI	<b>27</b>	2700°K
				<b>30</b>	3000°K
				<b>35</b>	3500°K
<b>L2000</b>	2000 lumens	<b>98</b>	98 CRI	<b>27</b>	2700°K
				<b>30</b>	3000°K
				<b>35</b>	3500°K

83 CRI available, consult factory.

## Features & Benefits

#### Fixture Description

Housing is spun aluminum with perforated back cover for ventilation. Aluminum stem features lockable constant tilt swivel with 90° maximum aiming angle. Wires shall be concealed within stem. Fixture to be supplied with wallwash reflector and OL-55X75-p wallwash spread lens.

#### Flush Fit adapter with Rotation Lock \*

Adapter plugs into Busway with separate electrical and mechanical connections. Supplied with standard thumb wheel rotation lock. An optional switch and other standard Litelab fitters are available.

#### Accessory Cartridge

Cartridge design allows for enhanced passive air flow around LED components. Front installed, non-rotational, wallwash cartridge allows up to three accessories—including a range of lenses and filters.

#### Lenses & Accessories\*\*

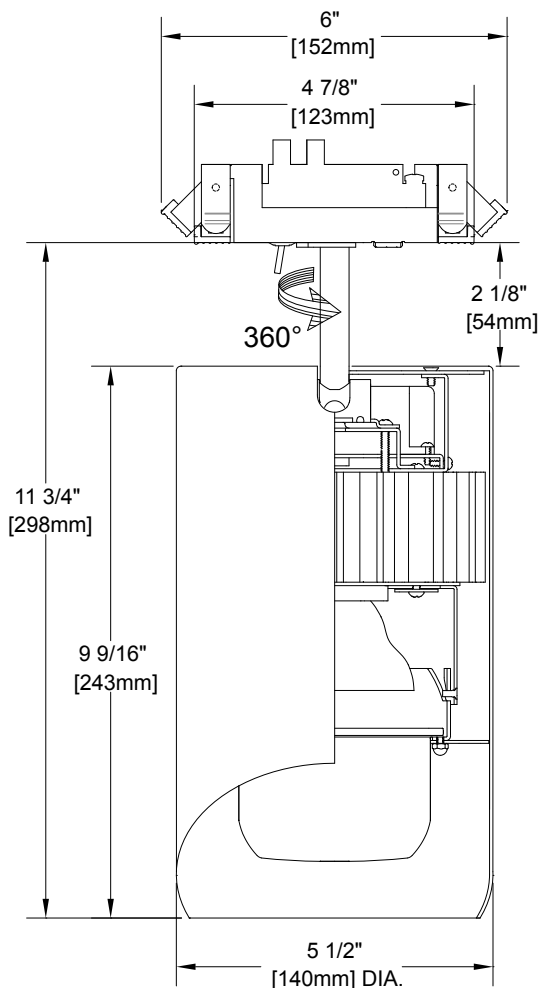
Standard 55°x75° wallwash spread lens included with fixture. Photo etched light blocking screens are also available. Accessory code shall be "p."

#### Finishes

Available in black, white, brushed aluminum or custom finish.

#### Dimming

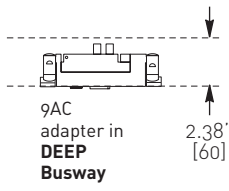
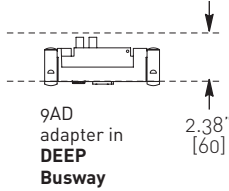
Litelab Museum line LED fixtures are provided with LED drivers suitable for trailing edge dimmers. Dimming performance may vary depending on dimmer model or system.



251 Elm Street Buffalo, NY 14203 USA  
800-238-4120 • www.litelab.com © 10/16

\*Covered under one or more of the following patents: US: 8,740,421 B2, D499, 698, D389,012, Republic of China: D149,379, People's Republic of China: ZL 201130358013.3. Additional patents pending. \*\*See fittings and accessories page for mounting options and accessories.

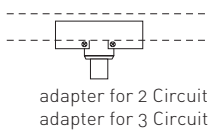
**ADAPTERS**

BUSRUN	adapter code	on-off switch	rotation lock	voltage
		optional	standard	
 <p>9AC adapter in DEEP Busway 2.38" [60]</p>	<b>9AC</b>	<b>-SY</b>	<b>-RL</b>	<b>-A</b>
	fused Lock n Hide fitter for use with <b>Deep 120V BusRun</b> busway			
 <p>9AD adapter in DEEP Busway 2.38" [60]</p>	<b>9AC</b>	<b>-SY</b>	<b>-RL</b>	<b>-D</b>
	fused Lock n Hide fitter for use with <b>Deep 240V BusRun</b> busway			
	<b>9AC</b>	<b>*</b>	<b>-RL</b>	<b>-C</b>
	fused Lock n Hide fitter for use with <b>Deep 277V BusRun</b> busway			
	<b>9AD</b>	<b>-SY</b>	<b>-RL</b>	<b>-A</b>
	fused plug-in fitter for use with <b>Deep 120V BusRun</b> busway			
	<b>9AD</b>	<b>-SY</b>	<b>-RL</b>	<b>-D</b>
fused plug-in fitter for use with <b>Deep 240V BusRun</b> busway				
	<b>9AD</b>	<b>*</b>	<b>-RL</b>	<b>-C</b>
fused plug-in fitter for use with <b>Deep 277V BusRun</b> busway				

\* switch available for 120V and 230V only

**TRACK (120V, 240V)**

2-3 Circuit



Spec Track adapter - 3.8" [97] L x 1.25" [32] W x .75" [19] Ht for use in two or three circuit track.

**EUT-2**  
**EUT-3**

**ACCESSORIES**

Spread Lenses

**Universal Spread**  
OL- 55° x 75°-p  
(included)

Screens

**Light Block Screen**  
B-15N/p

Photo-etched,  
15% light-blocking  
screen. Accepts  
up to 5 for 30%,  
45%, 60% or 75%  
(maximum)

**FINISHES**

Consult with Litelab  
for custom finishes

**NT** Brushed Aluminum  
**MB** Black  
**P** White  
**CP** Custom Paint

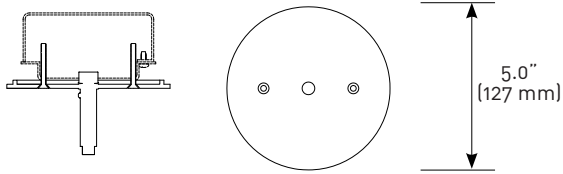
**INPUT REQUIREMENTS**

<b>L1300</b> 1300 lumens	<b>120VAC/50-60Hz:</b>	19.2w/0.16A
	<b>230VAC/50-60Hz:</b>	18.4w/0.08A
	<b>277VAC/50-60Hz:</b>	19.3w/0.07A
<b>L2000</b> 2000 lumens	<b>120VAC/50-60Hz:</b>	30.0w/0.25A
	<b>230VAC/50-60Hz:</b>	32.1w/0.14A
	<b>277VAC/50-60Hz:</b>	33.1w/0.12A

**ADAPTERS**

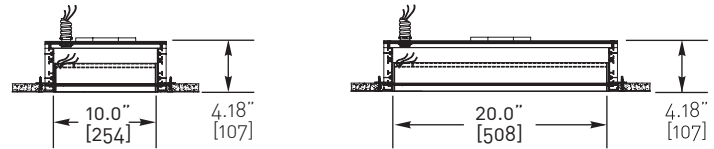
**CANOPY**

-3



5" (127mm) diameter x 1/4" (6mm) height machined canopy. (Junction box not included.)

**BUSPOINTS**

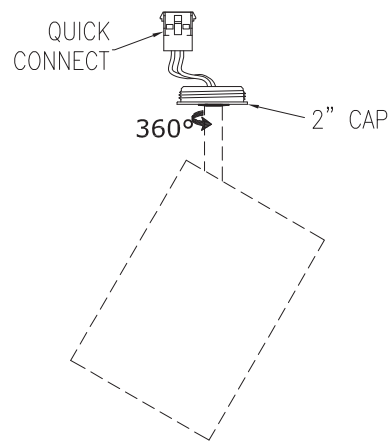


**BP1-08-1A-10** 120V  
**BP1-08-3D-10** 240V  
**BP1-08-3C-10** 277V

**BP1-08-1A-20** 120V  
**BP1-08-3D-20** 240V  
**BP1-08-3C-20** 277V

**2" QUICK CONNECT CANOPY**

2" canopy voltage

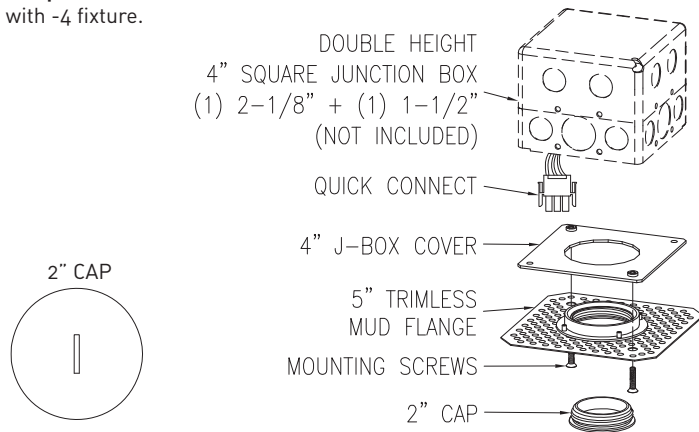


**-4-A** 120V  
**-4-D** 240V

**QC-4K** kit is required with -4 fixture.

**2" QUICK CONNECT FLANGE KIT**

**QC-4K** kit for use with -4 fixture.



Box fill must be in compliance with National Electric Code Article 314.