

# Museum Collection

Job Name:

Fixture Type:

## LED Wallwash

### M38L1400/M38L2000



Specify:

M38  -  -  -  -  -  -  -

FIXTURE MODEL LUMENS ADAPTER VOLTAGE CRI CCT FINISH

Example:

M38 L2000 - 9AC-RL - A - 98 30 - P

This Litelab fixture features a dedicated XICATO XTM module. To specify an LED module select the lumen, CRI, and color temperature options from below and complete the model number as shown. Adapter, voltage, finish and reflector options are shown on page two.

LUMEN OPTIONS	CRI OPTION	COLOR TEMP (CCT)	INPUT REQUIREMENTS
<b>L2000</b> 2000Lumens	98   27	98 CRI/2700K	120VAC/0.22A/27W
	98   30	98 CRI/3000K	120VAC/0.22A/27W
	98   35	98 CRI/3500K	120VAC/0.22A/27W
<b>L2000</b> 2000Lumens	98   27	98 CRI/2700K	230VAC/0.11A/30W
	98   30	98 CRI/3000K	230VAC/0.11A/30W
	98   35	98 CRI/3500K	230VAC/0.11A/30W
<b>L2000</b> 2000Lumens	98   27	98 CRI/2700K	277VAC/0.10A/31W
	98   30	98 CRI/3000K	277VAC/0.10A/31W
	98   35	98 CRI/3500K	277VAC/0.10A/31W
<b>L1400</b> 1400Lumens	98   27	98 CRI/2700K	120VAC/0.15A/18W
	98   30	98 CRI/3000K	120VAC/0.15A/18W
	98   35	98 CRI/3500K	120VAC/0.15A/18W
<b>L1400</b> 1400Lumens	98   27	98 CRI/2700K	230VAC/0.08A/19W
	98   30	98 CRI/3000K	230VAC/0.08A/19W
	98   35	98 CRI/3500K	230VAC/0.08A/19W
<b>L1400</b> 1400Lumens	98   27	98 CRI/2700K	277VAC/0.07A/19W
	98   30	98 CRI/3000K	277VAC/0.07A/19W
	98   35	98 CRI/3500K	277VAC/0.07A/19W

## Features & Benefits

### Fixture Description

Housing is spun aluminum with perforated back cover for ventilation. Aluminum stem features lockable constant tilt swivel with 90° maximum aiming angle. Wires shall be concealed within stem. Fixture to be supplied with wallwash reflector and OL-55X75-p wallwash spread lens.

### Flush Fit adapter with Rotation Lock \*

Adapter plugs into Busway with separate electrical and mechanical connections. Supplied with standard thumb wheel rotation lock. An optional switch and other standard Litelab fitters are available.

### Accessory Cartridge

Cartridge design allows for enhanced passive air flow around LED components. Front installed, non-rotational, wallwash cartridge allows up to three accessories—including a range of lenses and filters.

### Lenses & Accessories\*\*

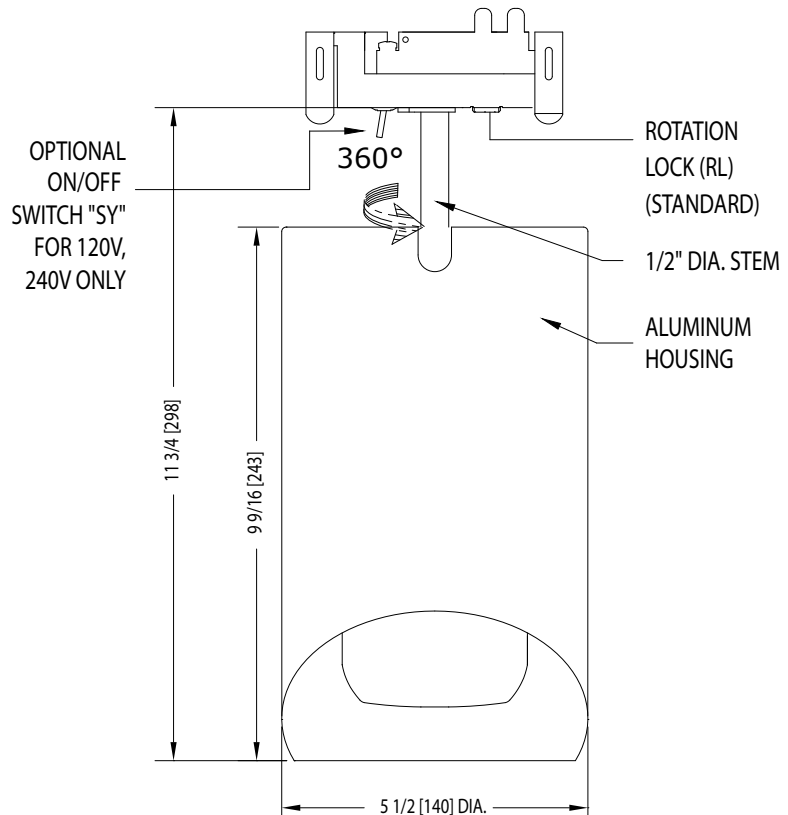
Standard 55°x75° wallwash spread lens included with fixture. Photo etched light blocking screens are also available. Accessory code shall be "p."

### Finishes

Available in black, white, brushed aluminum or custom finish.

### Dimming

Litelab Museum line LED fixtures are provided with LED drivers suitable for trailing edge dimmers. Dimming performance may vary depending on dimmer model or system.

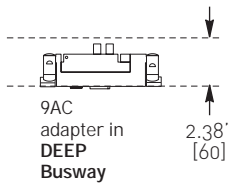
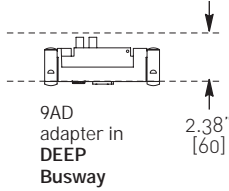


251 Elm Street Buffalo, NY 14203 USA  
800-238-4120 • www.litelab.com © 05/18

\*Covered under one or more of the following patents: US: 8,740,421 B2, D499, 698, D389,012, Republic of China: D149,379, People's Republic of China: ZL 201130358013.3. Additional patents pending. \*\*See fittings and accessories page for mounting options and accessories.

**ADAPTERS**

**BUSRUN**

	adapter code	on-off switch optional	rotation lock standard	voltage
 <p>9AC adapter in DEEP Busway 2.38" [60]</p>	<input type="checkbox"/> 9AC	<input type="checkbox"/> -SY	<input type="checkbox"/> -RL	<input type="checkbox"/> -A
	fused Lock n Hide fitter for use with <b>Deep 120V BusRun</b> busway			
	<input type="checkbox"/> 9AC	<input type="checkbox"/> -SY	<input type="checkbox"/> -RL	<input type="checkbox"/> -D
	fused Lock n Hide fitter for use with <b>Deep 240V BusRun</b> busway			
	<input type="checkbox"/> 9AC	*	<input type="checkbox"/> -RL	<input type="checkbox"/> -C
	fused Lock n Hide fitter for use with <b>Deep 277V BusRun</b> busway			
 <p>9AD adapter in DEEP Busway 2.38" [60]</p>	<input type="checkbox"/> 9AD	<input type="checkbox"/> -SY	<input type="checkbox"/> -RL	<input type="checkbox"/> -A
	fused plug-in fitter for use with <b>Deep 120V BusRun</b> busway			
	<input type="checkbox"/> 9AD	<input type="checkbox"/> -SY	<input type="checkbox"/> -RL	<input type="checkbox"/> -D
	fused plug-in fitter for use with <b>Deep 240V BusRun</b> busway			
	<input type="checkbox"/> 9AD	*	<input type="checkbox"/> -RL	<input type="checkbox"/> -C
	fused plug-in fitter for use with <b>Deep 277V BusRun</b> busway			

\* switch available for 120V and 230V only

**ACCESSORIES**

Spread Lenses

**Universal Spread**

OL- 55° x 75° -p (included)

Screens

**Light Block Screen**

B-15N/p

Photo-etched, 15% light-blocking screen. Accepts up to 5 for 30%, 45%, 60% or 75% (maximum)

**FINISHES**

Consult with Litelab for custom finishes

- NT Brushed Aluminum
- MB Black
- P White
- CP Custom Paint

**EU TRACK (120V, 240V)**

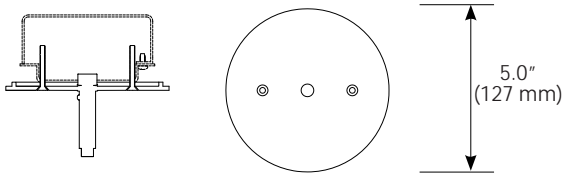
	adapter code	data bus contacts optional	on-board dimmer w/ on-off switch optional	voltage
2-3 Circuit	<input type="checkbox"/> E2	<input type="checkbox"/> DB	<input type="checkbox"/> -DY-SY	<input type="checkbox"/> -A
	track adapter for use with 2-circuit Eutrac			
	<input type="checkbox"/> E3	<input type="checkbox"/> DB	<input type="checkbox"/> -DY-SY	<input type="checkbox"/> -D
	track adapter for use with 3-circuit Eutrac			

- When specifying data bus contacts, indicate control protocol.
- Data bus contacts cannot be used on fixture with an on-board dimmer.
- Fixtures with an on-board dimmer are not to be used on dimming circuits.

**ADAPTERS**

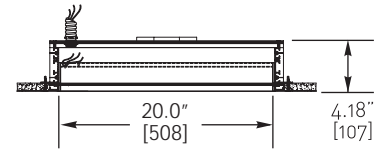
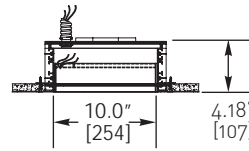
**CANOPY**

-3



5" (127mm) diameter x 1/4" (6mm) height machined canopy. (Junction box not included.)

**BUSPOINTS**

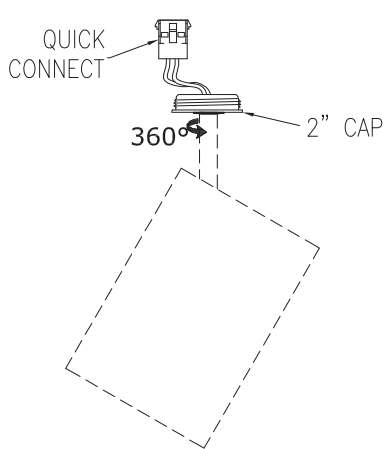


- BP1-08-1A-10** 120V
- BP1-08-3D-10** 240V
- BP1-08-3C-10** 277V

- BP1-08-1A-20** 120V
- BP1-08-3D-20** 240V
- BP1-08-3C-20** 277V

**2" QUICK CONNECT CANOPY**

2" canopy voltage

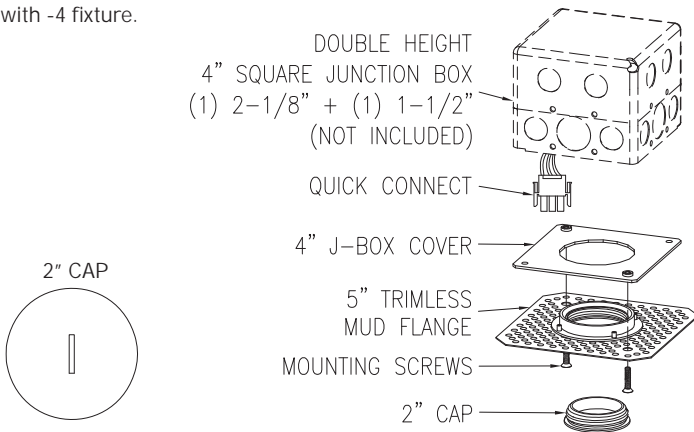


- 4-A** 120V
- 4-D** 240V

**QC-4K** kit is required with -4 fixture.

**2" QUICK CONNECT FLANGE KIT**

**QC-4K** kit for use with -4 fixture.



Box fill must be in compliance with National Electric Code Article 314.