

Job Name:

Fixture Type:

Museum Collection

LED Object

M37L1300/M37L2000



Specify:

M37 - - - - -

FIXTURE MODEL LUMENS ADAPTER VOLTAGE CRI CCT FINISH REFLECTOR

Example:

M37 L2000 - 9AC-RL - A - 98 30 - P - 20

This Litelab fixture features a dedicated XICATO XTM module. To specify an LED module select the lumen, CRI, and color temperature options from below and complete the model number as shown. Adapter, voltage, finish and reflector options are shown on page two.

LUMEN OPTIONS		CRI OPTIONS		COLOR TEMP (CCT)	
L1300	1300 lumens	98	98 CRI	27	2700°K
				30	3000°K
				35	3500°K
L2000	2000 lumens	98	98 CRI	27	2700°K
				30	3000°K
				35	3500°K

83 CRI available, consult factory.

Features & Benefits

Fixture Description

Housing is spun aluminum with perforated back cover for ventilation. Aluminum stem features lockable constant tilt swivel with 90° maximum aiming angle. Fixture to be supplied with baffle/accessories holder and OL-L10P1-p beam softener film.

Flush Fit adapter with Rotation Lock *

Adapter plugs into Busway with separate electrical and mechanical connections. Supplied with standard thumb wheel rotation lock. An optional switch and other standard Litelab fitters are available.

Accessory Cartridge

Cartridge design allows for enhanced passive air flow around LED components. Front installed, rotational and lockable, optical matte black cartridge allows up to three accessories—including a range of lenses and filters.

Lenses & Accessories**

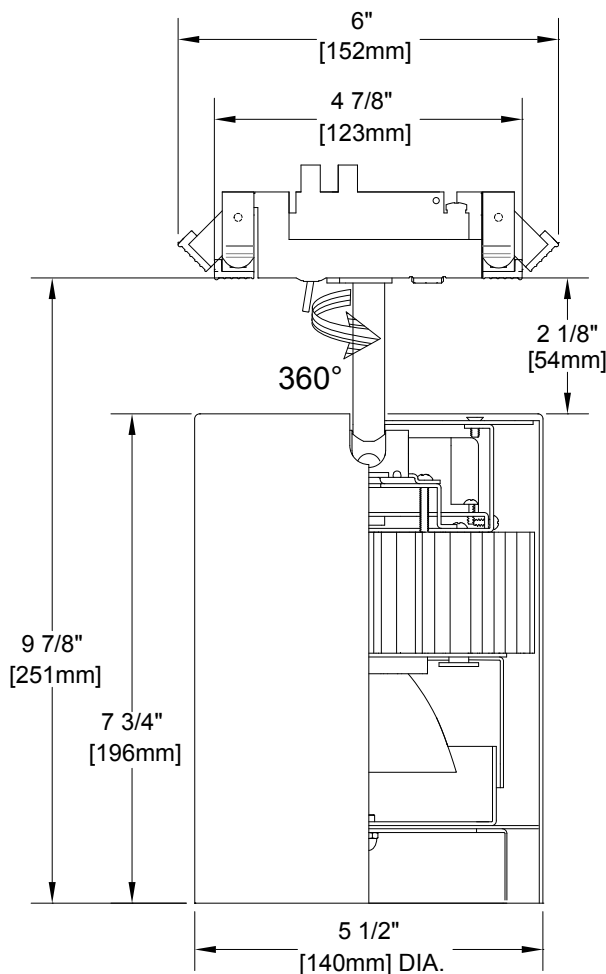
Standard clear lenses are available in 55° x 75°, 5° x 30° and 5° x 55° optical patterns. Photo etched light blocking screens and beam softener lens are also available. Accessory code shall be "p."

Finishes

Available in black, white, brushed aluminum or custom finish.

Dimming

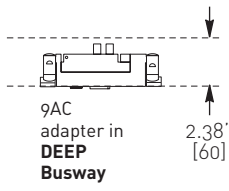
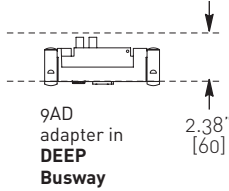
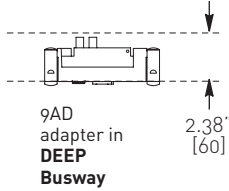
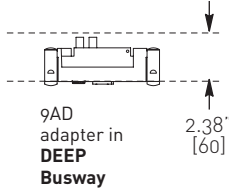
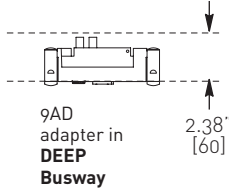
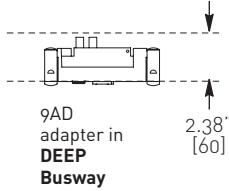
Litelab Museum line LED fixtures are provided with LED drivers suitable for trailing edge dimmers. Dimming performance may vary depending on dimmer model or system.



251 Elm Street Buffalo, NY 14203 USA
800-238-4120 • www.litelab.com © 07/16

*Covered under one or more of the following patents: US: 8,740,421 B2, D499, 698, D389,012, Republic of China: D149,379, People's Republic of China: ZL 201130358013.3. Additional patents pending. **See fittings and accessories page for mounting options and accessories.

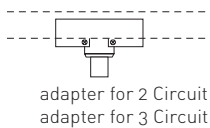
ADAPTERS

BUSRUN	adapter code	on-off switch	rotation lock	voltage
		optional	standard	
 <p>9AC adapter in DEEP Busway</p> <p>2.38" [60]</p>	9AC	-SY	-RL	-A
	fused Lock n Hide fitter for use with Deep 120V BusRun busway			
 <p>9AD adapter in DEEP Busway</p> <p>2.38" [60]</p>	9AC	-SY	-RL	-D
	fused Lock n Hide fitter for use with Deep 240V BusRun busway			
 <p>9AD adapter in DEEP Busway</p> <p>2.38" [60]</p>	9AC	*	-RL	-C
	fused Lock n Hide fitter for use with Deep 277V BusRun busway			
 <p>9AD adapter in DEEP Busway</p> <p>2.38" [60]</p>	9AD	-SY	-RL	-A
	fused plug-in fitter for use with Deep 120V BusRun busway			
 <p>9AD adapter in DEEP Busway</p> <p>2.38" [60]</p>	9AD	-SY	-RL	-D
	fused plug-in fitter for use with Deep 240V BusRun busway			
 <p>9AD adapter in DEEP Busway</p> <p>2.38" [60]</p>	9AD	*	-RL	-C
	fused plug-in fitter for use with Deep 277V BusRun busway			

* switch available for 120V and 230V only

TRACK (120V, 240V)

2-3 Circuit



Spec Track adapter - 3.8" [97] L x 1.25" [32] W x .75" [19] Ht for use in two or three circuit track.

EUT-2
EUT-3

ACCESSORIES

Spread Lenses

Linear Spread

OL- 5° x 30°-p
OL- 5° x 55°-p

Universal Spread

OL- 55° x 75°-p

Beam Softener

OL-SF-p
OL-L10P1-p
polycarbonate film (included)

Screens

Light Block Screen

B-15N/p

Photo-etched, 15% light-blocking screen. Accepts up to 5 for 30%, 45%, 60% or 75% (maximum)

REFLECTORS

(20) - 20°	21619-20
(40) - 40°	21619-40
(60) - 60°	21619-60

One reflector included with fixture (specify.) Reflectors are interchangeable. Additional reflectors ordered separately.

FINISHES

Consult with Litelab for custom finishes

NT	Brushed Aluminum
MB	Black
P	White
CP	Custom Paint

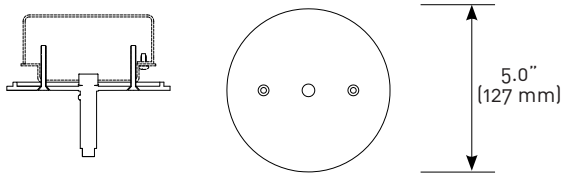
INPUT REQUIREMENTS

L1300 1300 lumens	120VAC/50-60Hz:	19.2w/0.16A
	230VAC/50-60Hz:	18.4w/0.08A
	277VAC/50-60Hz:	19.3w/0.07A
L2000 2000 lumens	120VAC/50-60Hz:	30.0w/0.25A
	230VAC/50-60Hz:	32.1w/0.14A
	277VAC/50-60Hz:	33.1w/0.12A

ADAPTERS

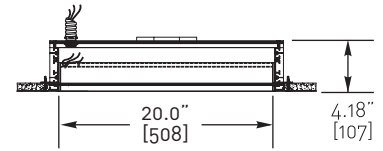
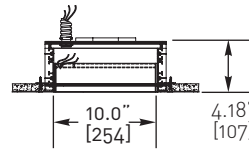
CANOPY

-3



5" (127mm) diameter x 1/4" (6mm) height machined canopy. (Junction box not included.)

BUSPOINTS

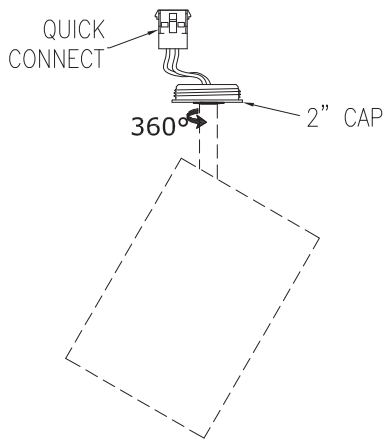


BP1-08-1A-10 120V
BP1-08-3D-10 240V
BP1-08-3C-10 277V

BP1-08-1A-20 120V
BP1-08-3D-20 240V
BP1-08-3C-20 277V

2" QUICK CONNECT CANOPY

2" canopy voltage

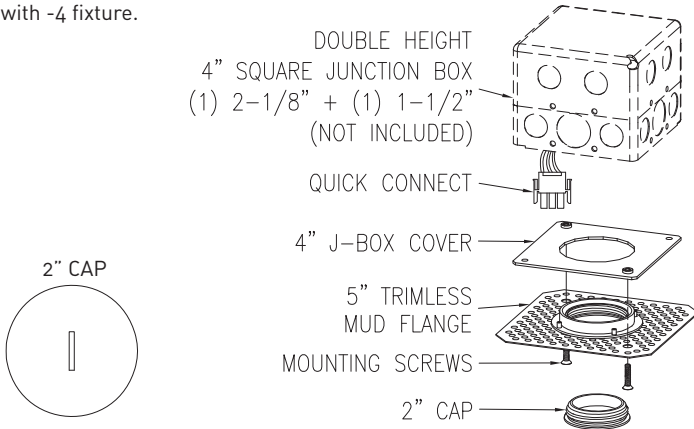


-4-A 120V
-4-D 240V

QC-4K kit is required with -4 fixture.

2" QUICK CONNECT FLANGE KIT

QC-4K kit for use with -4 fixture.



Box fill must be in compliance with National Electric Code Article 314.