

LED Object

M37L1400/M37L2000



Specify:

M37 [] - [] - [] - [] - [] - [] - []

FIXTURE MODEL LUMENS ADAPTER VOLTAGE CRI CCT FINISH REFLECTOR

Example:

M37 L2000 9AC-RL A 98 30 P 20

This Litelab fixture features a dedicated XICATO XTM module. To specify an LED module select the lumen, CRI, and color temperature options from below and complete the model number as shown. Adapter, voltage, finish and reflector options are shown on page two.

| LUMEN OPTIONS | CRI OPTION | COLOR TEMP (CCT) | INPUT REQUIREMENTS |
|-------------------------|------------|------------------|--------------------|
| L2000 2000Lumens | 98 27 | 98 CRI/2700K | 120VAC/0.22A/27W |
| | 98 30 | 98 CRI/3000K | 120VAC/0.22A/27W |
| | 98 35 | 98 CRI/3500K | 120VAC/0.22A/27W |
| L2000 2000Lumens | 98 27 | 98 CRI/2700K | 230VAC/0.11A/30W |
| | 98 30 | 98 CRI/3000K | 230VAC/0.11A/30W |
| | 98 35 | 98 CRI/3500K | 230VAC/0.11A/30W |
| L2000 2000Lumens | 98 27 | 98 CRI/2700K | 277VAC/0.10A/31W |
| | 98 30 | 98 CRI/3000K | 277VAC/0.10A/31W |
| | 98 35 | 98 CRI/3500K | 277VAC/0.10A/31W |
| L1400 1400Lumens | 98 27 | 98 CRI/2700K | 120VAC/0.15A/18W |
| | 98 30 | 98 CRI/3000K | 120VAC/0.15A/18W |
| | 98 35 | 98 CRI/3500K | 120VAC/0.15A/18W |
| L1400 1400Lumens | 98 27 | 98 CRI/2700K | 230VAC/0.08A/19W |
| | 98 30 | 98 CRI/3000K | 230VAC/0.08A/19W |
| | 98 35 | 98 CRI/3500K | 230VAC/0.08A/19W |
| L1400 1400Lumens | 98 27 | 98 CRI/2700K | 277VAC/0.07A/19W |
| | 98 30 | 98 CRI/3000K | 277VAC/0.07A/19W |
| | 98 35 | 98 CRI/3500K | 277VAC/0.07A/19W |

Features & Benefits

Fixture Description

Housing is spun aluminum with perforated back cover for ventilation. Aluminum stem features lockable constant tilt swivel with 90° maximum aiming angle. Fixture to be supplied with baffle/accessories holder and OL-L10P1-p beam softener film.

Flush Fit adapter with Rotation Lock *

Adapter plugs into Busway with separate electrical and mechanical connections. Supplied with standard thumb wheel rotation lock. An optional switch and other standard Litelab fitters are available.

Accessory Cartridge

Cartridge design allows for enhanced passive air flow around LED components. Front installed, rotational and lockable, optical matte black cartridge allows up to three accessories—including a range of lenses and filters.

Lenses & Accessories**

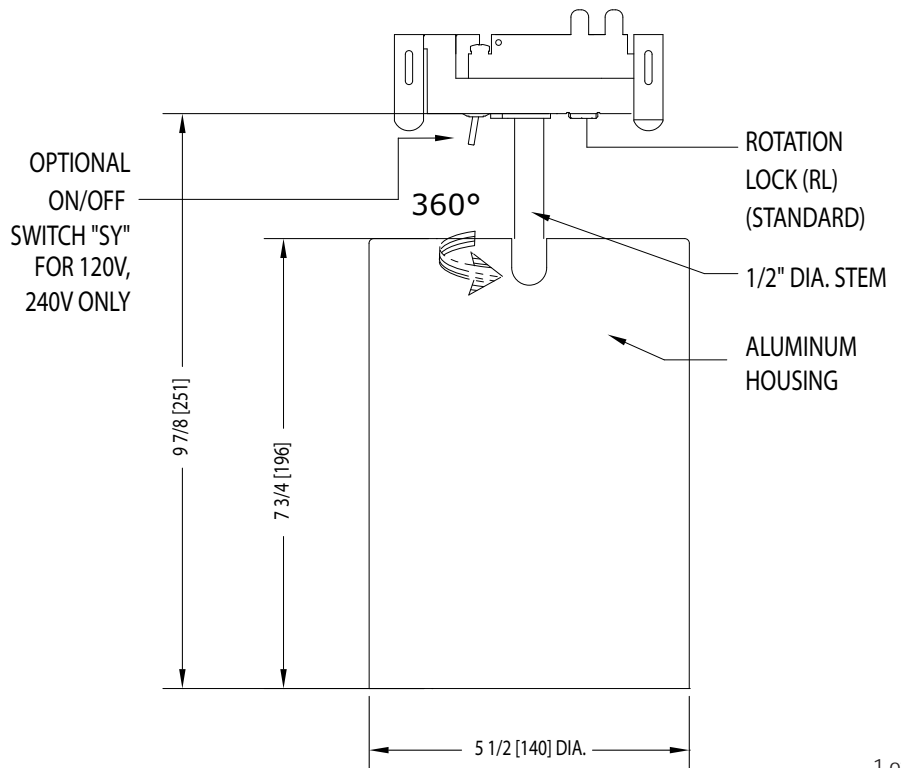
Standard clear lenses are available in 55° x 75°, 5° x 30° and 5° x 55° optical patterns. Photo etched light blocking screens and beam softener lens are also available. Accessory code shall be "p."

Finishes

Available in black, white, brushed aluminum or custom finish.

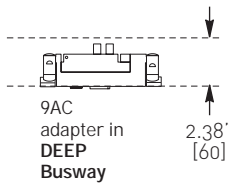
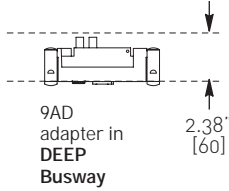

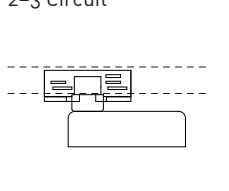


Dimming

Litelab Museum line LED fixtures are provided with LED drivers suitable for trailing edge dimmers. Dimming performance may vary depending on dimmer model or system.




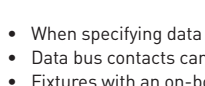
ADAPTERS

BUSRUN

| | adapter code | on-off switch optional | rotation lock standard | voltage |
|---|--|------------------------------|------------------------------|-----------------------------|
|  <p>9AC adapter in DEEP Busway 2.38" [60]</p> | <input type="checkbox"/> 9AC | <input type="checkbox"/> -SY | <input type="checkbox"/> -RL | <input type="checkbox"/> -A |
| | fused Lock n Hide fitter for use with Deep 120V BusRun busway | | | |
|  <p>9AD adapter in DEEP Busway 2.38" [60]</p> | <input type="checkbox"/> 9AC | <input type="checkbox"/> -SY | <input type="checkbox"/> -RL | <input type="checkbox"/> -D |
| | fused Lock n Hide fitter for use with Deep 240V BusRun busway | | | |
|  <p>9AD adapter in DEEP Busway 2.38" [60]</p> | <input type="checkbox"/> 9AC | * | <input type="checkbox"/> -RL | <input type="checkbox"/> -C |
| | fused Lock n Hide fitter for use with Deep 277V BusRun busway | | | |
|  <p>9AD adapter in DEEP Busway 2.38" [60]</p> | <input type="checkbox"/> 9AD | <input type="checkbox"/> -SY | <input type="checkbox"/> -RL | <input type="checkbox"/> -A |
| | fused plug-in fitter for use with Deep 120V BusRun busway | | | |
|  <p>9AD adapter in DEEP Busway 2.38" [60]</p> | <input type="checkbox"/> 9AD | <input type="checkbox"/> -SY | <input type="checkbox"/> -RL | <input type="checkbox"/> -D |
| | fused plug-in fitter for use with Deep 240V BusRun busway | | | |
|  <p>9AD adapter in DEEP Busway 2.38" [60]</p> | <input type="checkbox"/> 9AD | * | <input type="checkbox"/> -RL | <input type="checkbox"/> -C |
| | fused plug-in fitter for use with Deep 277V BusRun busway | | | |

* switch available for 120V and 230V only

EU TRACK (120V, 240V)

| | adapter code | data bus contacts optional | on-board dimmer w/ on-off switch optional | voltage |
|--|---|-----------------------------|---|-----------------------------|
| 2-3 Circuit | | | | |
|  | <input type="checkbox"/> E2 | <input type="checkbox"/> DB | <input type="checkbox"/> -DY-SY | <input type="checkbox"/> -A |
| | track adapter for use with 2-circuit Eutrac | | | |
|  | <input type="checkbox"/> E3 | <input type="checkbox"/> DB | <input type="checkbox"/> -DY-SY | <input type="checkbox"/> -D |
| | track adapter for use with 3-circuit Eutrac | | | |

- When specifying data bus contacts, indicate control protocol.
- Data bus contacts cannot be used on fixture with an on-board dimmer.
- Fixtures with an on-board dimmer are not to be used on dimming circuits.

REFLECTORS

| | |
|------------|----------|
| (20) – 20° | 21619-20 |
| (40) – 40° | 21619-40 |
| (60) – 60° | 21619-60 |

One reflector included with fixture (specify.)
Reflectors are interchangeable. Additional reflectors ordered separately.

FINISHES

Consult with Litelab for custom finishes

| | |
|-----------------------------|------------------|
| <input type="checkbox"/> NT | Brushed Aluminum |
| <input type="checkbox"/> MB | Black |
| <input type="checkbox"/> P | White |
| <input type="checkbox"/> CP | Custom Paint |

ACCESSORIES

Spread Lenses

| |
|--|
| <input type="checkbox"/> Linear Spread |
| <input type="checkbox"/> OL- 5° x 30° -p |
| <input type="checkbox"/> OL- 5° x 55° -p |

Universal Spread

| |
|---|
| <input type="checkbox"/> OL- 55° x 75° -p |
|---|

Beam Softener

| |
|-------------------------------------|
| <input type="checkbox"/> OL-SF-p |
| <input type="checkbox"/> OL-L10P1-p |

polycarbonate film (included)

Screens

Light Block Screen

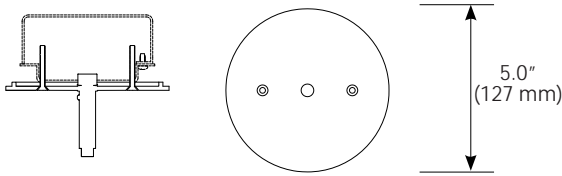
| |
|----------------------------------|
| <input type="checkbox"/> B-15N/p |
|----------------------------------|

Photo-etched, 15% light-blocking screen.
Accepts up to 5 for 30%, 45%, 60% or 75% (maximum)

ADAPTERS

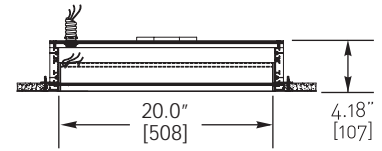
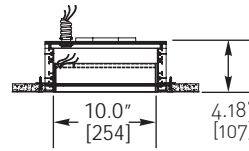
CANOPY

-3



5" (127mm) diameter x 1/4" (6mm) height machined canopy. (Junction box not included.)

BUSPOINTS

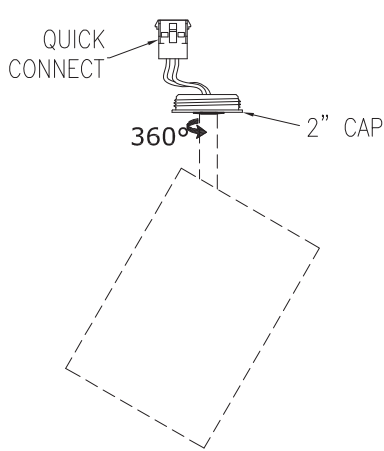


- BP1-08-1A-10** 120V
- BP1-08-3D-10** 240V
- BP1-08-3C-10** 277V

- BP1-08-1A-20** 120V
- BP1-08-3D-20** 240V
- BP1-08-3C-20** 277V

2" QUICK CONNECT CANOPY

2" canopy voltage

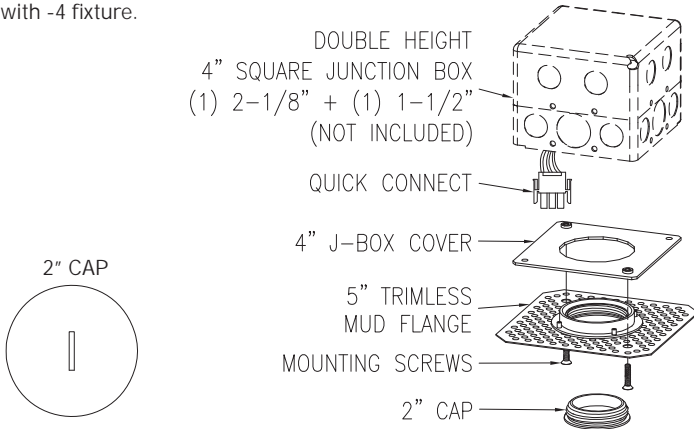


- 4-A** 120V
- 4-D** 240V

QC-4K kit is required with -4 fixture.

2" QUICK CONNECT FLANGE KIT

QC-4K kit for use with -4 fixture.



Box fill must be in compliance with National Electric Code Article 314.