

# Museum Collection

Job Name:

Fixture Type:

## LED Wallwash

### M32L1400/M32L2000



Specify:

M32  -  -  -   -

FIXTURE MODEL LUMENS ADAPTER VOLTAGE CRI CCT FINISH

Example:

M32 L2000 - 9TC-RL - A - 98 30 - P

This Litelab fixture features a dedicated XICATO XTM module. To specify an LED module select the lumen, CRI, and color temperature options from below and complete the model number as shown. Adapter, voltage, finish and reflector options are shown on page two.

LUMEN OPTIONS	CRI OPTION	COLOR TEMP (CCT)	INPUT REQUIREMENTS
<b>L2000</b> 2000Lumens	98   27	98 CRI/2700K	120VAC/0.21A/25W
	98   30	98 CRI/3000K	120VAC/0.21A/25W
	98   35	98 CRI/3500K	120VAC/0.21A/25W
<b>L1400</b> 1400Lumens	98   27	98 CRI/2700K	120VAC/0.14A/17W
	98   30	98 CRI/3000K	120VAC/0.14A/17W
	98   35	98 CRI/3500K	120VAC/0.14A/17W

## Features & Benefits

### Fixture Description

Two-piece body style allows for high efficiency passive cooling. Housing is spun aluminum with aluminum stem and driver housing. Wires from driver to engine shall be concealed within stem. Fixture to be supplied with wallwash reflector/accessories holder and OL-55x75-e wallwash spread lens.

### Flush Fit adapter with Rotation Lock \*

Adapter plugs into Busway with separate electrical and mechanical connections. Integrated driver allows for cooler fixture operation and longer LED life. Supplied with standard thumb wheel rotation lock. An optional switch is available and other standard Litelab fitters are available.

### Accessory Cartridge

Front installed, non-rotational, wallwash cartridge allows up to three accessories—including a range of lenses and filters.

### Lenses & Accessories\*\*

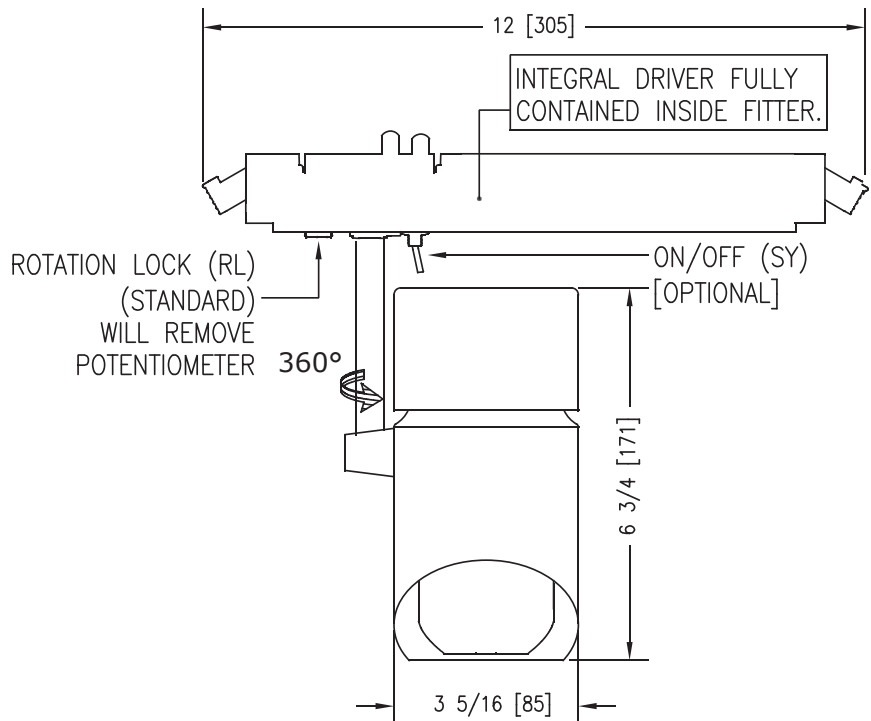
Standard 55° x 75° wallwash spread lens included with fixture. Photo etched light blocking screens are also available. Accessory code shall be "e."

### Finishes

Available in black, white, brushed aluminum or custom finish.

### Dimming

Litelab Museum line LED fixtures are provided with LED drivers suitable for trailing edge dimmers. Dimming performance may vary depending on dimmer model or system.



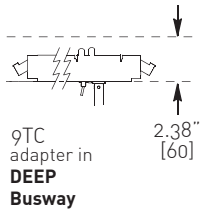
251 Elm Street Buffalo, NY 14203 USA  
800-238-4120 • www.litelab.com © 05/18

\*Covered under one or more of the following patents: US: 8,740,421 B2, D499, 698, D389,012, Republic of China: D149,379, People's Republic of China: ZL 201130358013.3, European Union: RCD #001920356-0001. Additional patents pending. \*\*See fittings and accessories page for mounting options and accessories.

**ADAPTERS**

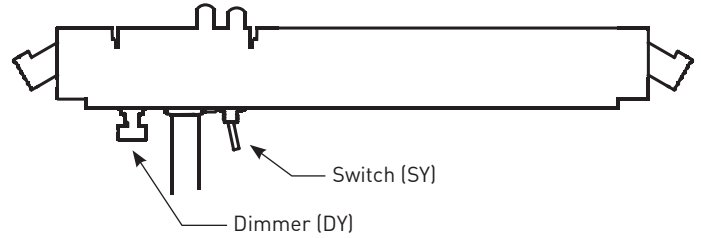
**BUSRUN**

adapter code	on-off switch	on-board dimmer w/ on-off switch	rotation lock*	voltage
	optional	optional	standard	



- |   |                              |                              |                              |           |
|---|------------------------------|------------------------------|------------------------------|-----------|
| <input type="checkbox"/> 9TC  | <input type="checkbox"/> -SY | <input type="checkbox"/> -DY | <input type="checkbox"/> -RL | <b>-A</b> |
| fused Lock n Hide fitter with integral driver for use with <b>Deep 120V BusRun</b> busway |                              |                              |                              |           |
| <input type="checkbox"/> 9HC  | <input type="checkbox"/> -SY | <input type="checkbox"/> -DY | <input type="checkbox"/> -RL | <b>-D</b> |
| fused Lock n Hide fitter with integral driver for use with <b>Deep 240V BusRun</b> busway |                              |                              |                              |           |
| <input type="checkbox"/> 9TD  | <input type="checkbox"/> -SY | <input type="checkbox"/> -DY | <input type="checkbox"/> -RL | <b>-A</b> |
| fused plug-in fitter with integral driver for use with <b>Deep 120V BusRun</b> busway     |                              |                              |                              |           |
| <input type="checkbox"/> 9HD  | <input type="checkbox"/> -SY | <input type="checkbox"/> -DY | <input type="checkbox"/> -RL | <b>-D</b> |
| fused plug-in fitter with integral driver for use with <b>Deep 240V BusRun</b> busway     |                              |                              |                              |           |

**9TC-SY-DY FITTER DETAIL (120 VOLT ONLY)**



\* When DY -SY option is specified, RL rotation lock feature is not available.

**FINISHES**

Consult with Litelab for custom finishes

- NT** Brushed Aluminum
- MB** Black
- P** White
- CP** Custom Paint

**ACCESSORIES**

Spread Lenses

- Universal Spread**  
 OL- 55° x 75°-e

Screens

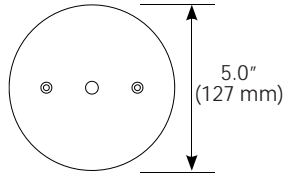
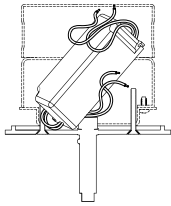
- Light Block Screen**  
 B-15N/e

Photo-etched, 15% light-blocking screen. Accepts up to 5 for 30%, 45%, 60% or 75% (maximum)

**ADAPTERS**

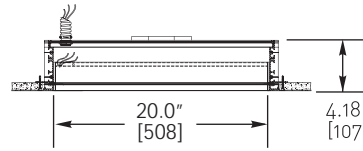
**CANOPY WITH DRIVER (120V, 240V, 277V)**

- 3L-A 120V
- 3L-D 240V
- 3L-C 277V



5" (127mm) diameter x 1/4" (6mm) height machined canopy with electronic driver. (4" diameter x 6" height junction box not included.)

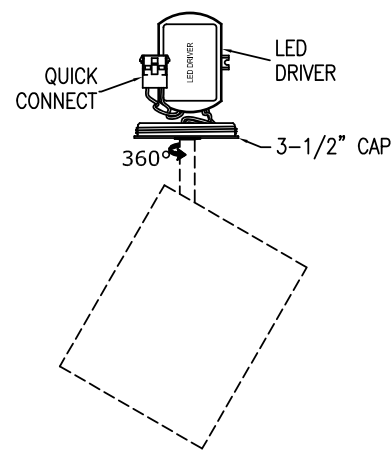
**BUSPOINTS**



- BP1-08-1A-20 120V
- BP1-08-3D-20 240V

**3-1/2" QUICK CONNECT CANOPY**

3-1/2" voltage

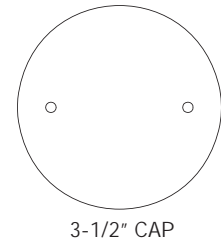
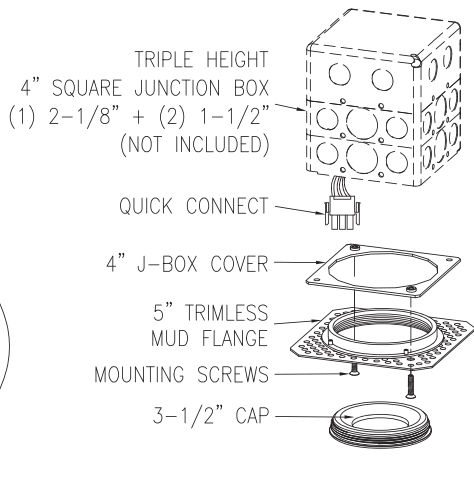


- 5L-A 120V
- 5L-D 240V
- 5L-C 277V

QC-5K kit is required with -5L fixture.

**3-1/2" QUICK CONNECT FLANGE KIT**

QC-5K kit for use with -5L fixture.



Box fill must be in compliance with National Electric Code Article 314.