

Museum Collection

Job Name:

Fixture Type:

LED Wallwash

M32L1400/M32L2000



Specify:

M32 - - - - -

FIXTURE MODEL LUMENS ADAPTER VOLTAGE CRI CCT FINISH

Example:

M32 L2000 - 9LC-RL - A - 98 30 - P

This Litelab fixture features a dedicated XICATO XTM module. To specify an LED module select the lumen, CRI, and color temperature options from below and complete the model number as shown. Adapter, voltage, finish and reflector options are shown on page two.

LUMEN OPTIONS	CRI OPTION	COLOR TEMP (CCT)	INPUT REQUIREMENTS
L2000 2000Lumens	95 27	93 CRI/2700K	120VAC/0.21A/25W
	95 30	93 CRI/3000K	120VAC/0.21A/25W
	95 35	93 CRI/3500K	120VAC/0.21A/25W
L1400 1400Lumens	95 27	93 CRI/2700K	120VAC/0.14A/17W
	95 30	93 CRI/3000K	120VAC/0.14A/17W
	95 35	93 CRI/3500K	120VAC/0.14A/17W

Features & Benefits

Fixture Description

Two-piece body style allows for high efficiency passive cooling. Housing is spun aluminum with aluminum stem and driver housing. Wires from driver to engine shall be concealed within stem. Fixture to be supplied with wallwash reflector/accessories holder and OL-55x75-e wallwash spread lens.

Flush Fit adapter with Rotation Lock *

Adapter plugs into Busway with separate electrical and mechanical connections. Integrated driver allows for cooler fixture operation and longer LED life. Supplied with standard thumb wheel rotation lock. An optional switch is available and other standard Litelab fitters are available.

Accessory Cartridge

Front installed, non-rotational, wallwash cartridge allows up to three accessories—including a range of lenses and filters.

Lenses & Accessories**

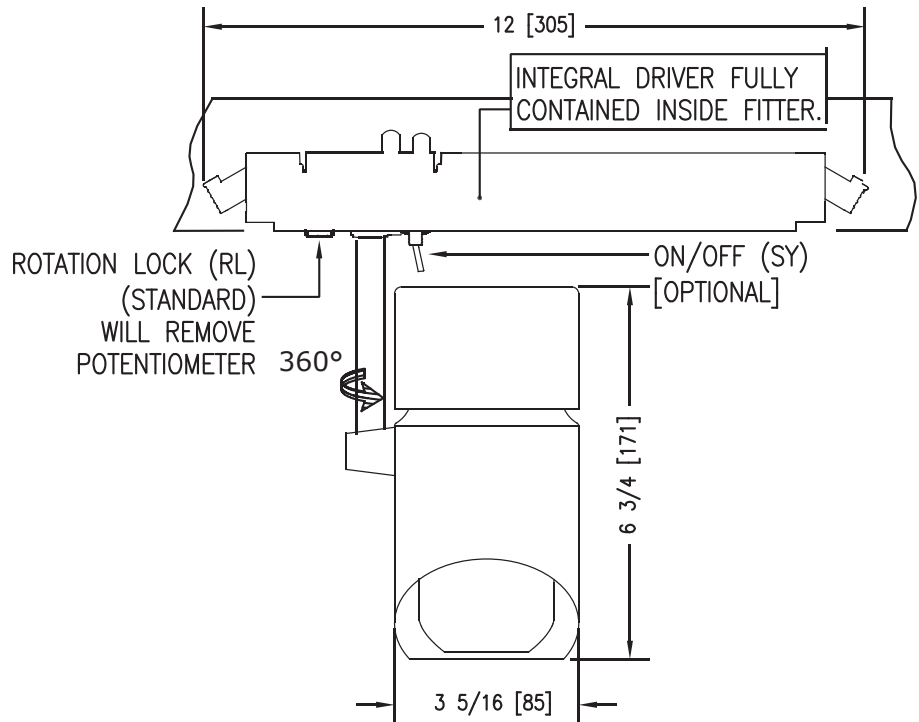
Standard 55° x 75° wallwash spread lens included with fixture. Photo etched light blocking screens are also available. Accessory code shall be "e."

Finishes

Available in black, white, brushed aluminum or custom finish.

Dimming

Litelab Museum line LED fixtures are provided with LED drivers suitable for trailing edge dimmers. Dimming performance may vary depending on dimmer model or system.

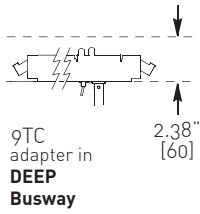


251 Elm Street Buffalo, NY 14203 USA
800-238-4120 • www.litelab.com © 04/18

*Covered under one or more of the following patents: US: 8,740,421 B2, D499, 698, D389,012, Republic of China: D149,379, People's Republic of China: ZL 201130358013.3, European Union: RCD #001920356-0001. Additional patents pending. **See fittings and accessories page for mounting options and accessories.

ADAPTERS

BUSRUN



adapter code	on-off switch	on-board dimmer w/ on-off switch	rotation lock*	voltage
	optional	optional	standard	

9TC -SY -DY -RL **-A**

fused Lock n Hide fitter with integral driver for use with **Deep 120V BusRun** busway

9HC -SY -DY -RL **-D**

fused Lock n Hide fitter with integral driver for use with **Deep 240V BusRun** busway

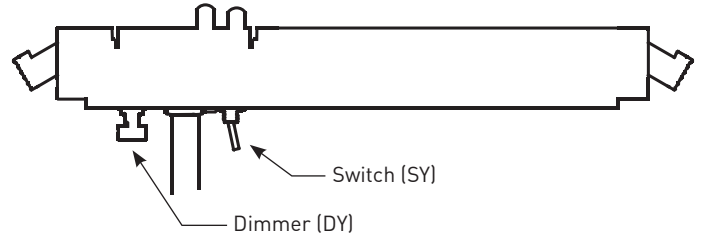
9TD -SY -DY -RL **-A**

fused plug-in fitter with integral driver for use with **Deep 120V BusRun** busway

9HD -SY -DY -RL **-D**

fused plug-in fitter with integral driver for use with **Deep 240V BusRun** busway

DY-SY FITTER DETAIL (240 VOLT ONLY)



* When DY -SY option is specified, RL rotation lock feature is not available.

FINISHES

Consult with Litelab for custom finishes

- NT** Brushed Aluminum
- MB** Black
- P** White
- CP** Custom Paint

ACCESSORIES

Spread Lenses

- Universal Spread**
 OL- 55° x 75°-e

Screens

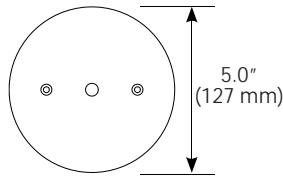
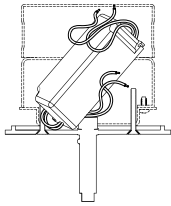
- Light Block Screen**
 B-15N/e

Photo-etched, 15% light-blocking screen. Accepts up to 5 for 30%, 45%, 60% or 75% (maximum)

ADAPTERS

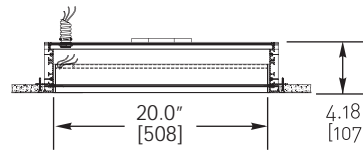
CANOPY WITH DRIVER (120V, 240V, 277V)

- 3L-A 120V
- 3L-D 240V
- 3L-C 277V



5" (127mm) diameter x 1/4" (6mm) height machined canopy with electronic driver. (4" diameter x 6" height junction box not included.)

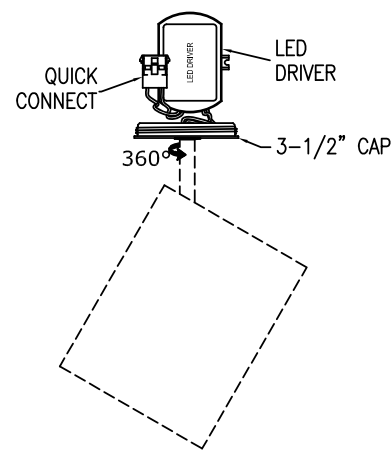
BUSPOINTS



- BP1-08-1A-20 120V
- BP1-08-3D-20 240V

3-1/2" QUICK CONNECT CANOPY

3-1/2" voltage

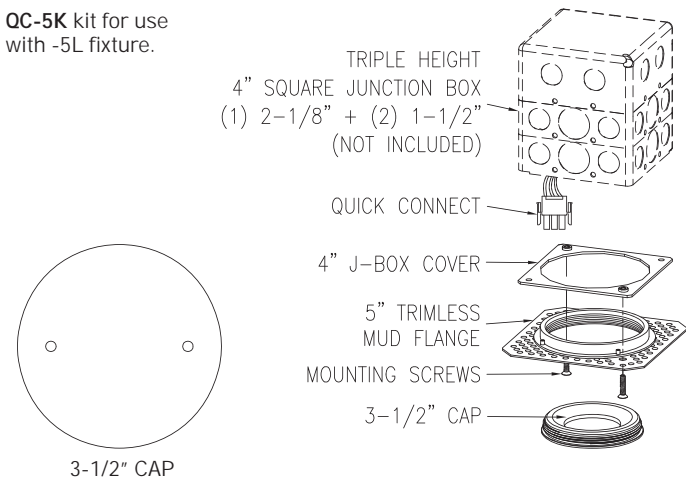


- 5L-A 120V
- 5L-D 240V
- 5L-C 277V

QC-5K kit is required with -5L fixture.

3-1/2" QUICK CONNECT FLANGE KIT

QC-5K kit for use with -5L fixture.



Box fill must be in compliance with National Electric Code Article 314.