

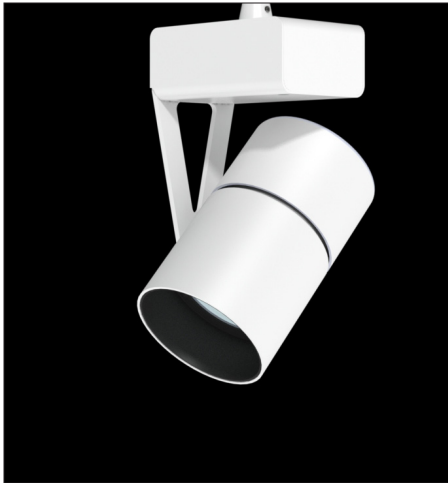
Museum Collection

Job Name:

Fixture Type:

LED Object

M29L1300



Specify:

M29 - - - - - - -

FIXTURE MODEL LUMENS ADAPTER VOLTAGE CRI CCT FINISH REFLECTOR

Example:

M29 L1300 - 9AC-RL - A - 98 30 - P - 20

This Litelab fixture features a dedicated XICATO XTM module. To specify an LED module select the lumen, CRI, and color temperature options from below and complete the model number as shown. Adapter, voltage, finish and reflector options are shown on page two.

LUMEN OPTIONS	CRI OPTION	COLOR TEMP (CCT)
L1300 1300 lumens	98 98 CRI	27 2700°K
		30 3000°K
		35 3500°K

83 CRI available, consult factory.

Features & Benefits

Fixture Description

Two-piece body style allows for high efficiency passive cooling. Housing is spun aluminum with aluminum yoke and driver housing. Wires from driver to engine shall be concealed within yoke. Fixture to be supplied with baffle/accessories holder and OL-L10P1-e beam softener film.

Flush Fit adapter with Rotation Lock *

Adapter plugs into Busway with separate electrical and mechanical connections. Supplied with standard thumb wheel rotation lock. An optional switch is available and other standard Litelab fitters are available.

Accessory Cartridge

Front installed, non-rotational, optical matte black cartridge allows up to three accessories—including a range of lenses, filters and louvers.

Lenses & Accessories**

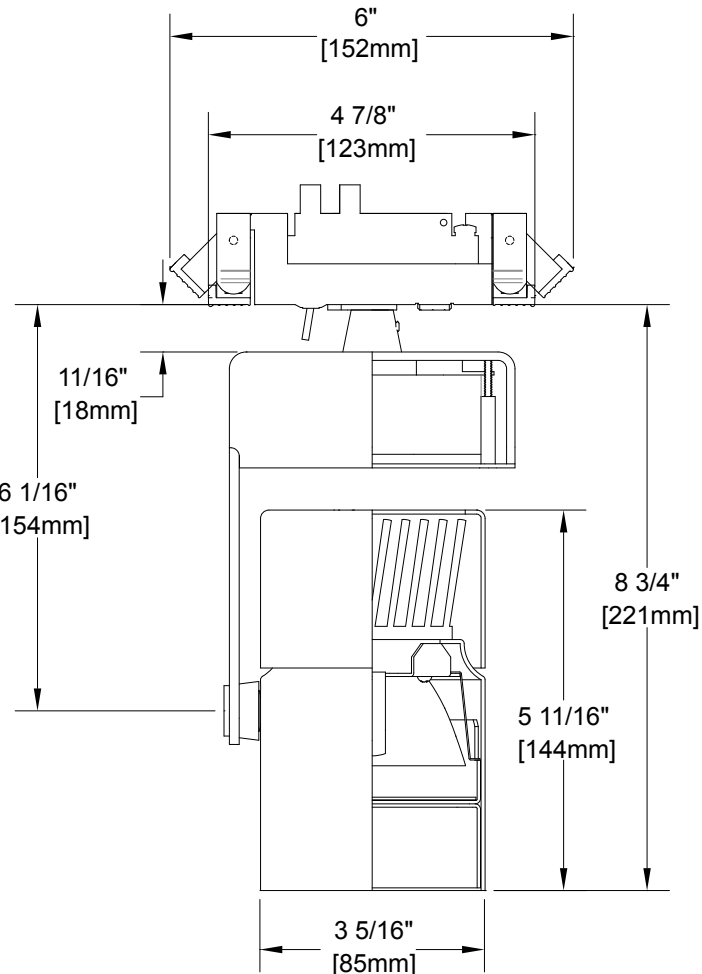
Standard clear lenses are available in 55° x 75°, 5° x 30° and 5° x 55° optical patterns. Photo etched light blocking screens and beam softener lens are also available. Accessory code shall be "e."

Finishes

Available in black, white, brushed aluminum or custom finish.

Dimming

Litelab Museum line LED fixtures are provided with LED drivers suitable for trailing edge dimmers. Dimming performance may vary depending on dimmer model or system.



251 Elm Street Buffalo, NY 14203 USA
800-238-4120 • www.litelab.com © 10/16

*Covered under one or more of the following patents: US: 8,740,421 B2, D499, 698, D389,012, Republic of China: D149,379, People's Republic of China: ZL 201130358013.3, European Union: RCD #001920356-0001. Additional patents pending. **See fittings and accessories page for mounting options and accessories.

Input Fittings & Accessories

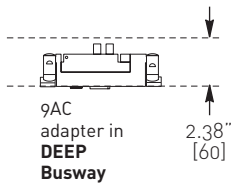
M29L1300

Job Name:

Fixture Type:

ADAPTERS

BUSRUN



adapter code	on-off switch optional	rotation lock standard	voltage
--------------	---------------------------	---------------------------	---------

9AC	-SY	-RL	-A
------------	------------	------------	-----------

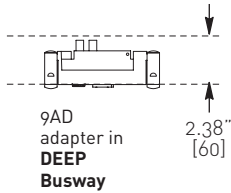
fused Lock n Hide fitter for use with **Deep 120V BusRun** busway

9AC	-SY	-RL	-D
------------	------------	------------	-----------

fused Lock n Hide fitter for use with **Deep 240V BusRun** busway

9AC	*	-RL	-C
------------	----------	------------	-----------

fused Lock n Hide fitter for use with **Deep 277V BusRun** busway



9AD	-SY	-RL	-A
------------	------------	------------	-----------

fused plug-in fitter for use with **Deep 120V BusRun** busway

9AD	-SY	-RL	-D
------------	------------	------------	-----------

fused plug-in fitter for use with **Deep 240V BusRun** busway

9AD	*	-RL	-C
------------	----------	------------	-----------

fused plug-in fitter for use with **Deep 277V BusRun** busway

* switch available for 120V and 230V only

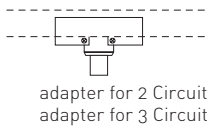
Input Requirements

L1300 1300 lumens

120VAC/50-60Hz:	19w/0.16A
230VAC/50-60Hz:	18.4w/0.08A
277VAC/50-60Hz:	19.3w/0.07A

TRACK (120V, 240V)

2-3 Circuit



Spec Track adapter - 3.8" [97] L x 1.25" [32] W x .75" [19] Ht for use in two or three circuit track.

EUT-2
EUT-3

REFLECTORS

(20) - 20°	21619-20
(40) - 40°	21619-40
(60) - 60°	21619-60

One reflector included with fixture (specify.)
Reflectors are interchangeable. Additional reflectors ordered separately.

FINISHES

Consult with Litelab for custom finishes

NT	Brushed Aluminum
MB	Black
P	White
CP	Custom Paint

ACCESSORIES

Spread Lenses

Linear Spread
OL- 5° x 30°-e
OL- 5° x 55°-e

Universal Spread
OL- 55° x 75°-e

Beam Softener
OL-SF-e
OL-L10P1-e
polycarbonate film (included)

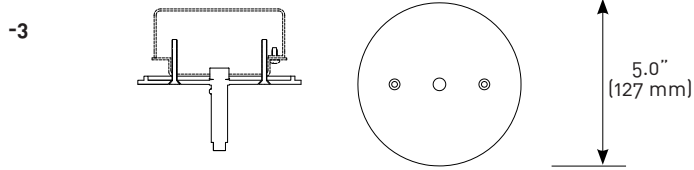
Screens

Light Block Screen
B-15N/e

Photo-etched, 15% light-blocking screen.
Accepts up to 5 for 30%, 45%, 60% or 75% (maximum)

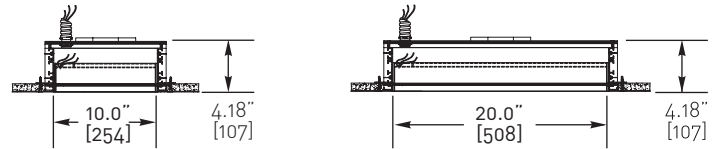
ADAPTERS

CANOPY



-3
5" (127mm) diameter x 1/4" (6mm) height machined canopy. (Junction box not included.)

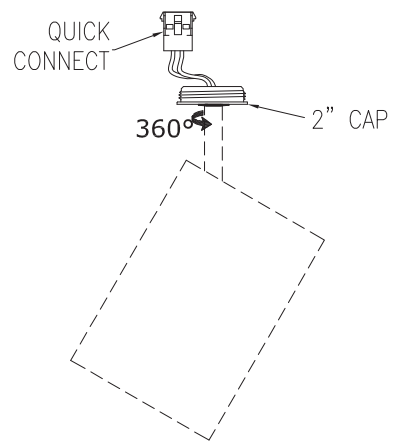
BUSPOINTS



BP1-08-1A-10	120V	BP1-08-1A-20	120V
BP1-08-3D-10	240V	BP1-08-3D-20	240V
BP1-08-3C-10	277V	BP1-08-3C-20	277V

2" QUICK CONNECT CANOPY

2" canopy voltage

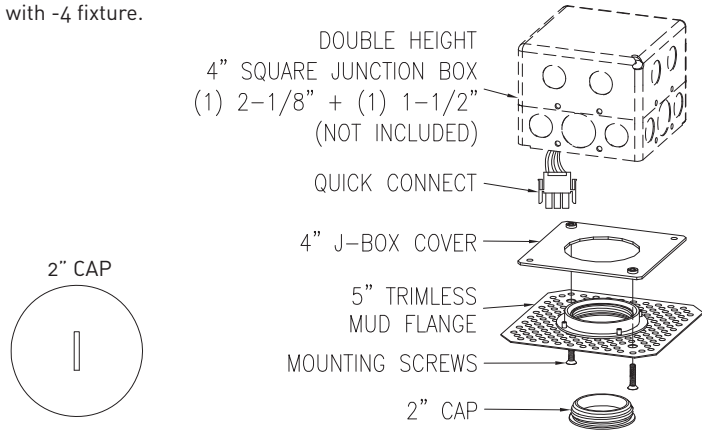


-4-A	120V
-4-D	240V

QC-4K kit is required with -4 fixture.

2" QUICK CONNECT FLANGE KIT

QC-4K kit for use with -4 fixture.



Box fill must be in compliance with National Electric Code Article 314.