

MODEL NUMBER: M14T6MH-9AD-(finish)-MOD3	FIXTURE TYPE: SCALE: 3/16"=1"	FILE NUMBER: Product\Museum-M0-MW-T6-Fixtures.dwg	DATE: 5/9/2006	NO.	REVISIONS DESCRIPTION	BY	DATE
PROJECT NAME:	APPROX. WEIGHT: N/A	DRAWN BY: D.G.A.	CK'D BY: S.P. 5/10	FIXTURE DESCRIPTION: T6 150 WATT WALL WASH FIXTURE			

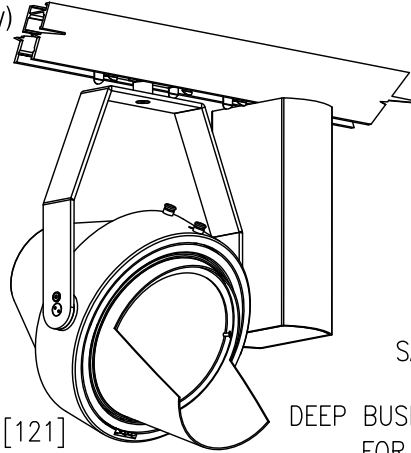
**INPUT REQUIREMENTS:**  
120V/60Hz/1.4 AMPS

**LAMP SPEC:** (ordered separately)  
T6 150 WATT

**ACCESSORIES:** (ordered separately)  
Ø6.25 SIZE  
TO BE SPECIFIED

**FINISH:**  
WHITE (P)  
BLACK (MB)  
BRUSHED (NT)  
CUSTOM PAINT (CP)  
COLOR CHIP REQ'D

**REFLECTOR:**  
30°

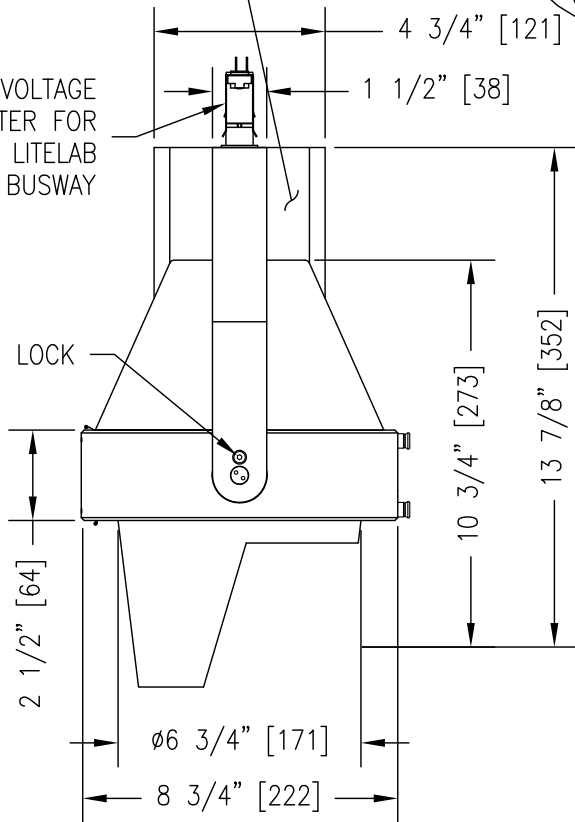


PROPRIETARY & CONFIDENTIAL: THE INFORMATION CONTAINED IN THIS DRAWING IS THE SOLE PROPERTY OF LITELAB. ANY REPRODUCTION IN PART OR AS A WHOLE WITHOUT THE WRITTEN CONSENT OF LITELAB IS PROHIBITED.

ELECTRONIC BALLAST HOUSING  
150W/120V ELECTRONIC BALLAST

-9AD LINE VOLTAGE  
BUSWAY FITTER FOR  
USE WITH 120v LITELAB  
DEEP BUSWAY

YOKE LOCK



SAFETY CABLE

DEEP BUSRUN (SHOWN  
FOR REFERENCE)

LAMP COVER HINGES OPEN TO  
ALLOW BACK RELAMPING OF FIXTURE

150W T6 LAMP (ORDERED SEPARATELY)

30° REFLECTOR (QTY. TO  
BE SPECIFIED)

SPRING LOADED TOP  
COVER LATCH

ACCESSORY ROTATION  
LOCK (LENS AXIS)

MACHINED ALUMINUM  
ACCESSORY RING

OPTICAL ACCESSORIES  
(ORDERED SEPARATELY)

SPRING LOADED ACCESSORY  
HOLDER LATCH

WALLWASH LIGHTING REFLECTOR  
HINGES OPEN TO ALLOW FRONT  
RELAMPING

