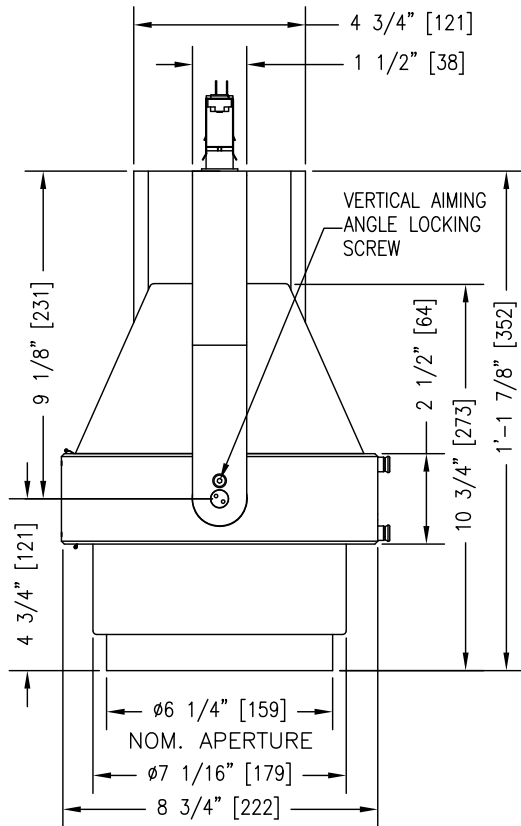
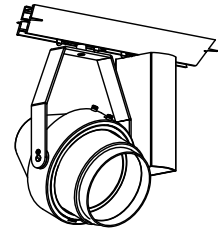
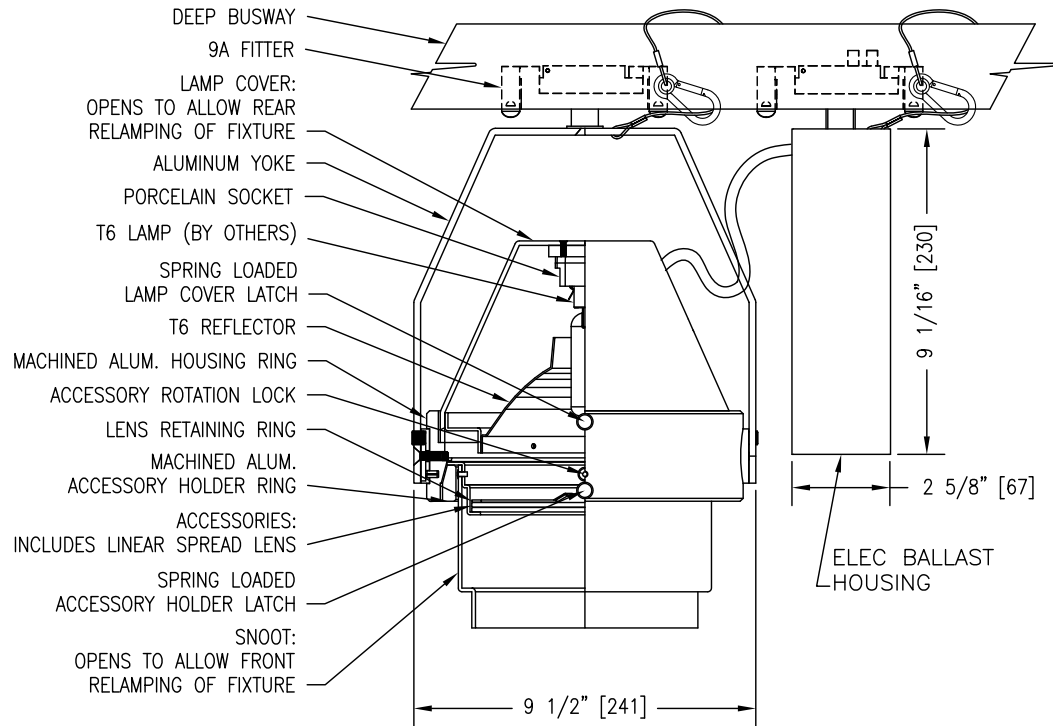


MODEL NUMBER: M13T6MH	FIXTURE TYPE: T6	SCALE: 3:16	FILE NUMBER: Prod/MuseumLine/M13	DATE: 9/22/09	NO.	REVISIONS DESCRIPTION	BY	DATE
PROJECT NAME:	APPROX. WEIGHT: N/A	DRAWN BY: E.J.	CK'D BY: B.J.G.	FIXTURE DESCRIPTION:				

- SIDE VIEW -



- FRONT VIEW -



LAMP SPEC: (ordered separately)
T-6 METAL HALIDE G12
39W ANSI CODE M130
70W ANSI CODE M139, M143, M98
150W ANSI CODE M142, M102/E

INPUT REQUIREMENTS:
120V/60Hz/35W-0.3A
120V/60Hz/70W-0.6A
120V/60Hz/150W-1.3A

FINISHES:
WHITE (P):
BLACK (MB):
NATURAL ALUM. (NT):
CUSTOM PAINT (CP):

REFLECTORS:
(08) - NARROW 8"
(12) - MEDIUM 12"
(25) - WIDE 25"

ACCESSORIES:
SIZE CODE: "6.25"
Holds up to three
Ordered separately

T6/120 VOLT OBJECT

Fixture has 90° vertical locking and 360° horizontal adjustment.
Lamp can be replaced without disturbing lens focus and angular aim settings.
Lamp is changeable from the front and rear of fixture.

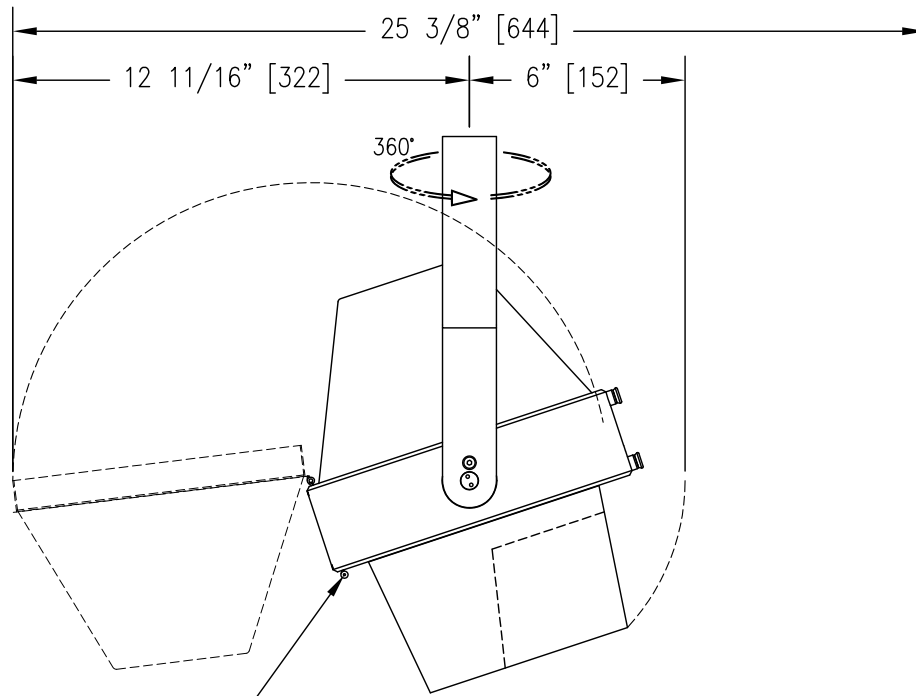
PROPRIETARY & CONFIDENTIAL: THE INFORMATION CONTAINED
IN THIS DRAWING IS THE SOLE PROPERTY OF LITELAB. ANY
REPRODUCTION IN PART OR AS A WHOLE WITHOUT THE
WRITTEN CONSENT OF LITELAB IS PROHIBITED.

Provide minimum 3" [75] clearance to combustibles on all sides.
Maintain an ambient temperature not exceeding 35°C (95°F) around this fixture.
Some lamps which may be used in this fixture have beams which are capable
of setting fire to nearby combustibles if the lamp is aimed toward them.
Take all necessary precautions when focussing this fixture.

MODEL NUMBER:	FIXTURE TYPE:	SCALE: 3/16"=1"	FILE NUMBER: Prod\MuseumLine	DATE: 7/28/09	NO.	REVISIONS DESCRIPTION	BY	DATE
PROJECT NAME: CLEARANCE DIMENSIONS	APPROX. WEIGHT: N/A	DRAWN BY: E.J.	CK'D BY: B.J.G.	FIXTURE DESCRIPTION:				

RELAMPING FROM ABOVE

ALLOW APPROX. 13" BETWEEN YOKE AND ADJACENT OBJECTS
FOR MOTION OF HOUSING WHEN RELAMPING FROM ABOVE
25 3/8" – OVERALL WIDTH REQUIREMENT (360° ROTATIONAL AXIS)



WHEN RELAMPING FROM ABOVE:
AIM WITH HINGES FACING DOWNWARD
TO ENSURE YOKE DOES NOT
INTERFERE WITH MOTION OF HOUSING

RELAMPING FROM BELOW

ALLOW 21 5/16" FROM TOP OF YOKE FOR MOTION OF SNOOT
WHEN RELAMPING FROM BOTTOM
15 7/8" OVERALL WIDTH REQUIREMENT (360° ROTATIONAL AXIS)

