

MODEL NUMBER: L-1202-91-MB	FIXTURE TYPE:	SCALE: AS NOTED	FILE NUMBER: Prod\SlotFixture\SSS-Sections-r2	DATE: 1/4/08	NO.	REVISIONS DESCRIPTION	BY	DATE
PROJECT NAME:	APPROX. WEIGHT: XXlbs./XXkg	DRAWN BY: BJG	CK'D BY: -	FIXTURE DESCRIPTION: MR-16 FIXTURE SHOWN W/ OBJ SNOOT				

INPUT REQUIREMENTS:
120V/60Hz/.42 AMPS

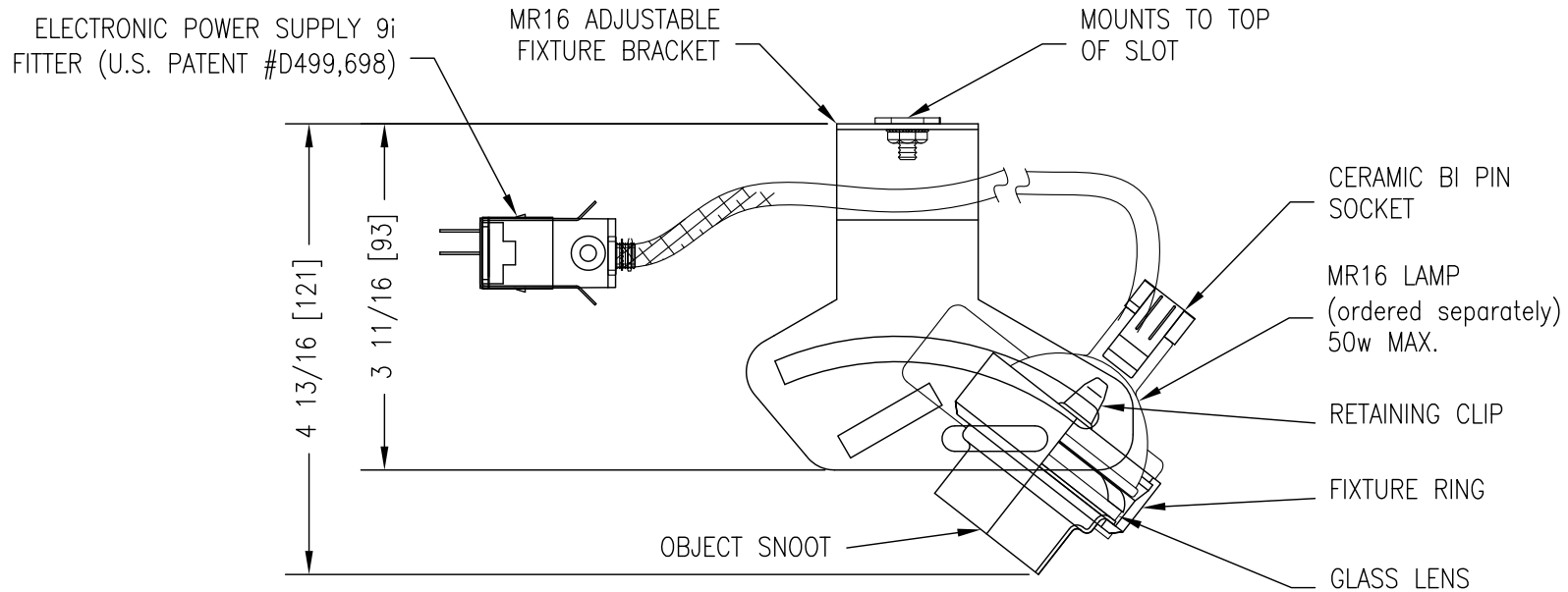
FINISH:
FIXTURE: MB (BLACK)

LAMP SPEC: (ordered separately)
MR16 50W MAX.

ACCESSORIES: (ordered separately)
PT#61509 (STRAIGHT SNOOT) MATTE BLACK)

FIXTURE USED IN SMALL SLOT SYSTEM

SHOWN AS OBJECT FIXTURE



DIMMING INFORMATION:

THE MANUFACTURER OF THE ELECTRONIC TRANSFORMERS USED IN OUR INTEGRALLY TRANSFORMED LIGHTING FIXTURES SAYS THAT THE TRANSFORMERS ARE SUITABLE FOR "ALL LEADING AND TRAILING EDGE DIMMER SYSTEMS". WHILE WE STAND BEHIND THIS STATEMENT, WE WILL NOT BE RESPONSIBLE FOR ANY NOISE OR OTHER COMPATIBILITY ISSUES WITH ANY DIMMING OR CONTROL SYSTEM AND STRONGLY RECOMMEND THAT THE UNITS BE TESTED BY THE CUSTOMER TO ENSURE THEIR PERFORMANCE SATISFACTION. LITELAB WILL FURNISH UNITS FOR TEST AT THE CUSTOMER'S REQUEST.