

# Jewelers Collection

Job Name:

Fixture Type:

## LED Retrofit

### J66AR111



Specify:

J66AR111 -  -  -  -

FIXTURE MODEL - ADAPTER - VOLTAGE - FINISH - ACCESSORIES(optional)

Example:

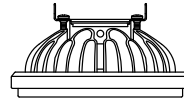
J66AR111 - 9AC - A - NT - OL-5 x 55- s

#### Jewelers Collection Fixtures

- Fits deep 2.38" (60mm) BusRun.
- Fixture rotates up to 360° and may be ordered with optional on/off switch.

#### Lamp

12v AR111  
Replacement LED



#### Ratings

25 watts maximum  
(LED)

For Halogen lamps  
use our J06AR111  
fixture.

When using LED replacement lamps, performance may vary based on lamping. To ensure functionality, we recommend reviewing the performance of specified lamps with the fixture.

[Click here to review Litelab tested lamps.](#)

## Features & Benefits

#### Fixture Description

Internally tapered, rear-load, machined aluminum lamp ring is mounted to a side-car power supply housing with a chrome-plated swivel that ensures non-drifting aiming angle up to 35°.

#### Flush Fit adapter

Adapter plugs into Busway with separate electrical and mechanical connections, and is fully concealed in deep BusRun. An optional switch is available, or fixture may be mounted to other standard Litelab fitters.

#### Lenses and Accessories

Standard clear lenses are available with 5° x 55° optical pattern. Beam softener lens, photo etched light blocking screens, hexcell louvers, and tapered object and wallwash snoots are also available. Accessory code shall be "s".

#### Lamp Ring/Accessory Holder

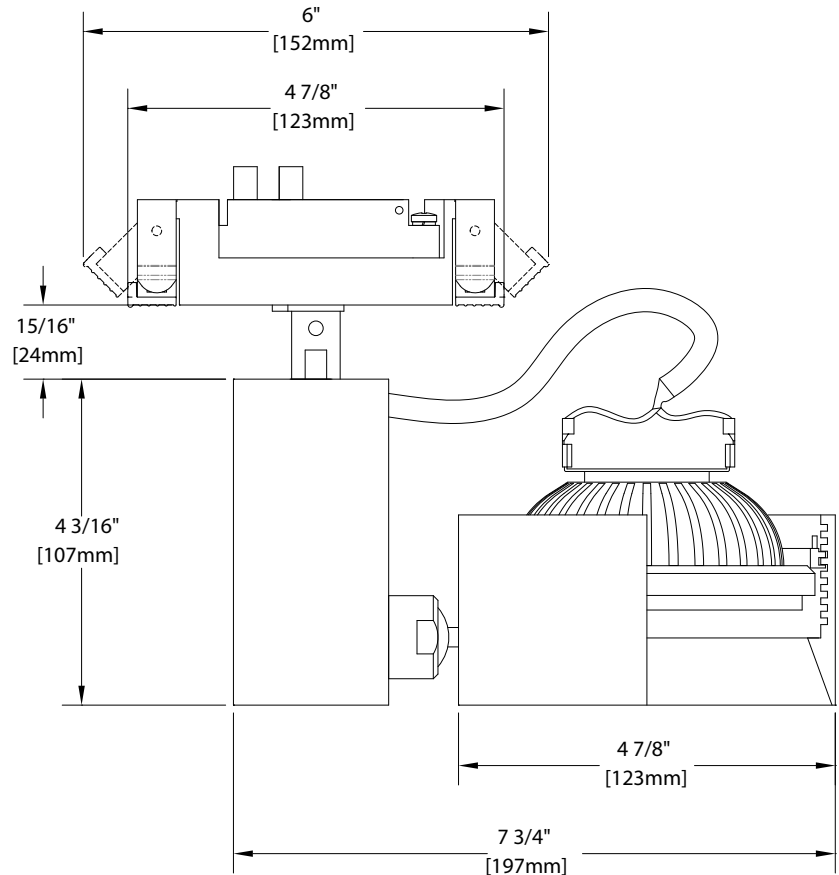
Lamp ring has threaded lamp retaining ring and accepts up to two accessories.

#### Finishes

Available in brushed aluminum, black, white, or custom finish.

#### Dimming

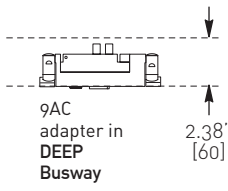
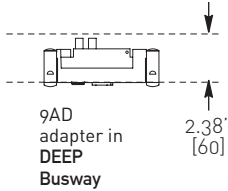
See LED lamp manufacturer's specifications for dimming LED replacement lamps.



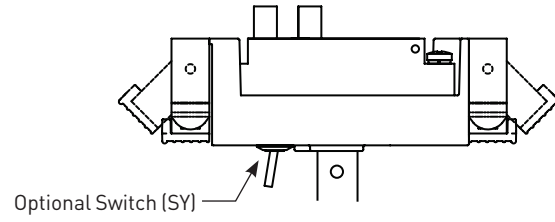
251 Elm Street Buffalo, NY 14203 USA  
800-238-4120 • www.litelab.com © 12/2016

\*\*See fittings and accessories page for mounting options and accessories.

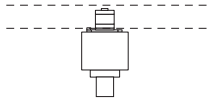
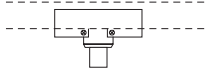
**ADAPTERS**

BUSRUN	adapter code	on-off switch optional	voltage
 <p>9AC adapter in DEEP Busway</p> <p>2.38" [60]</p>	<b>9AC</b>	<b>-SY</b>	<b>-A</b>
	fused Lock n Hide fitter with integral driver for use with <b>Deep 120V BusRun</b> busway		
 <p>9AD adapter in DEEP Busway</p> <p>2.38" [60]</p>	<b>9AC</b>	<b>-SY</b>	<b>-D</b>
	fused Lock n Hide fitter with integral driver for use with <b>Deep 240V BusRun</b> busway		
	<b>9AD</b>	<b>-SY</b>	<b>-A</b>
	fused plug-in fitter with integral driver for use with <b>Deep 120V BusRun</b> busway		
	<b>9AD</b>	<b>-SY</b>	<b>-D</b>
	fused plug-in fitter with integral driver for use with <b>Deep 240V BusRun</b> busway		

Fitter Detail highlighting Optional Switch



**TRACK (120V, 240V)**

TRACK (120V, 240V)	1, 2-3 Circuit
 <p>adapter for 1 Circuit</p>	<p>Basic Track adapter - 1.5" [38] x 1.5" [38] x 1.18" [30] Ht. for use in single circuit track.</p> <p><b>8BT</b></p>
 <p>adapter for 2 Circuit adapter for 3 Circuit</p>	<p>Spec Track adapter - 3.8" [97] L x 1.25" [32] W x .75" [19] Ht for use in two or three circuit track.</p> <p><b>EUT-2</b> <b>EUT-3</b></p>

**ACCESSORIES**

<p>Spread Lenses</p> <p><b>Linear Spread</b> OL- 5° x 55°-s</p> <p><b>Beam Softener</b> OL-SF-s</p>	<p>Louvers &amp; Screens</p> <p><b>Hexcell Louver</b> LVH/s (black)</p> <p><b>Light Block Screen</b> B-15N/s</p> <p>Photo-etched, 15% light-blocking screen. Accepts up to 5 for 30%, 45%, 60% or 75% (maximum)</p> <p>Tapered Snoots</p> <p><b>Object</b> SNOOT-T-s-27</p>
-------------------------------------------------------------------------------------------------------------	-----------------------------------------------------------------------------------------------------------------------------------------------------------------------------------------------------------------------------------------------------------------------------------------

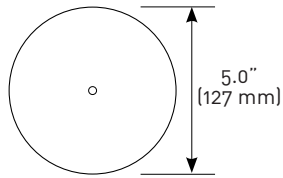
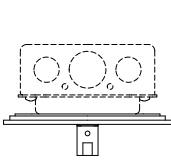
**FINISHES**

Consult with Litelab for custom finishes	
<b>NT</b>	Brushed Aluminum
<b>MB</b>	Black
<b>P</b>	White
<b>CP</b>	Custom Paint

**ADAPTERS**

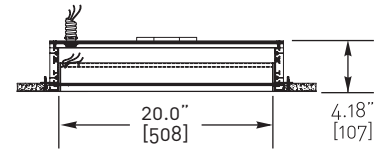
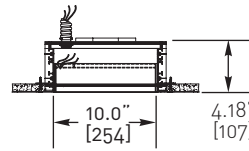
**CANOPY**

- 3-A 120V
- 3-D 240V



5" (127mm) diameter x 1/4" (6mm) height machined canopy. (Junction box and raised mud ring not included.)

**BUSPOINTS**



- BP1-08-1A-10 120V
- BP1-08-3D-10 240V

- BP1-08-1A-20 120V
- BP1-08-3D-20 240V