

Jewelers Collection

Job Name:

Fixture Type:

Halogen

J06AR111



Specify:

J06AR111 - - - -

FIXTURE MODEL - ADAPTER - VOLTAGE - FINISH - ACCESSORIES(optional)

Example:

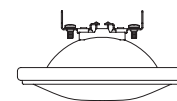
J06AR111 - 9AC - A - NT - OL-5 x 55- s

Jewelers Collection Fixtures

- Fits deep 2.38" (60mm) BusRun.
- Fixture rotates up to 360° and may be ordered with optional on/off switch.

Lamp

AR111 - 12V



Ratings

75 watts maximum (Halogen)

For LED Retrofit lamps, use our J66AR111 fixture.

Features & Benefits

Fixture Description

Internally tapered, rear-load, machined aluminum lamp ring is mounted to a side-car power supply housing with a chrome-plated swivel that ensures non-drifting aiming angle up to 35°.

Flush Fit adapter

Adapter plugs into Busway with separate electrical and mechanical connections, and is fully concealed in deep BusRun. An optional switch is available, or fixture may be mounted to other standard Litelab fitters.

Lenses and Accessories

Standard clear lenses are available with 5° x 55° optical pattern. Beam softener lens, photo etched light blocking screens, hexcell louvers, and tapered object and wallwash snoots are also available. Accessory code shall be "s".

Lamp Ring/Accessory Holder

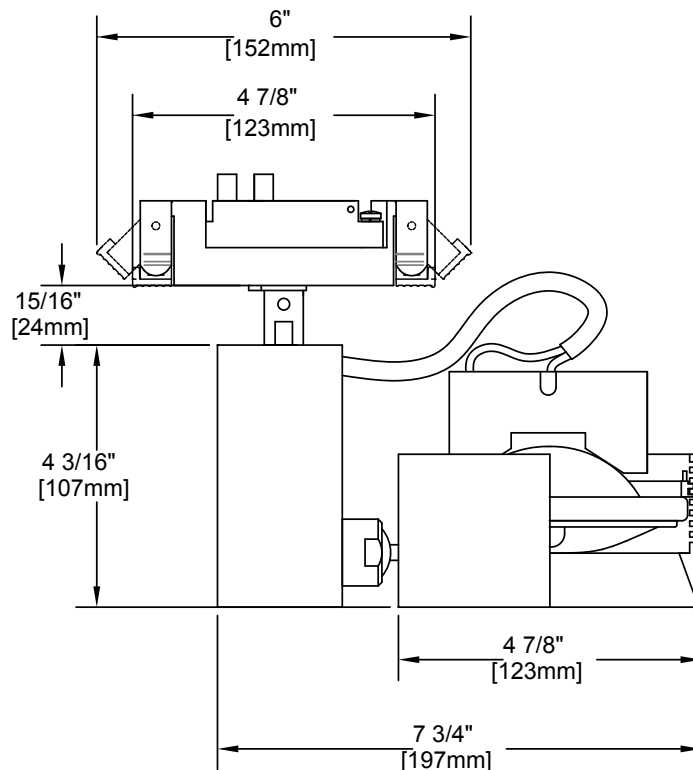
Lamp ring has threaded lamp retaining ring and accepts up to two accessories.

Finishes

Available in brushed aluminum, black, white, or custom finish.

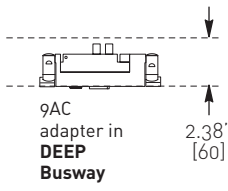
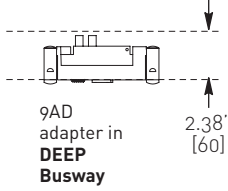
Dimming

Use ELV (electronic low voltage) rated dimmers only.

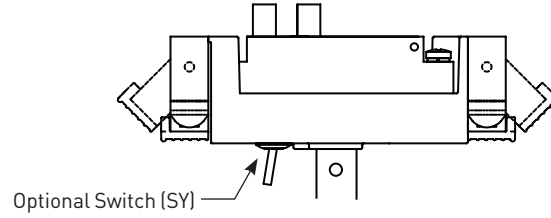


251 Elm Street Buffalo, NY 14203 USA
800-238-4120 • www.litelab.com © 06/2016

ADAPTERS

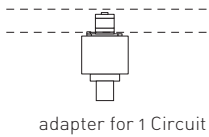
| BUSRUN | adapter code | on-off switch optional | voltage |
|--|---|------------------------|-----------|
|  <p>9AC adapter in DEEP Busway</p> <p>2.38" [60]</p> | 9AC | -SY | -A |
| | fused Lock n Hide fitter with integral driver for use with Deep 120V BusRun busway | | |
|  <p>9AD adapter in DEEP Busway</p> <p>2.38" [60]</p> | 9AC | -SY | -D |
| | fused Lock n Hide fitter with integral driver for use with Deep 240V BusRun busway | | |
| | 9AD | -SY | -A |
| | fused plug-in fitter with integral driver for use with Deep 120V BusRun busway | | |
| | 9AD | -SY | -D |
| | fused plug-in fitter with integral driver for use with Deep 240V BusRun busway | | |

Fitter Detail highlighting Optional Switch



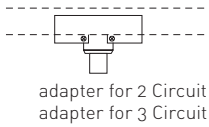
TRACK (120V, 240V)

1, 2-3 Circuit



Basic Track adapter - 1.5" [38] x 1.5" [38] x 1.18" [30] Ht. for use in single circuit track.

8BT



Spec Track adapter - 3.8" [97] L x 1.25" [32] W x .75" [19] Ht for use in two or three circuit track.

EUT-2
EUT-3

ACCESSORIES

Spread Lenses

Linear Spread*
OL- 5° x 55°-s

Beam Softener*
OL-SF-s

UV Filter
OL-Flat-s-UV

* available with UV coating (add -UV to part number when specifying.)

Louvers & Screens

Hexcell Louver
LVH/s (black)

Light Block Screen
B-15N/s

Photo-etched, 15% light-blocking screen. Accepts up to 5 for 30%, 45%, 60% or 75% (maximum)

Tapered Snoots

Object
SNOOT-T-s-27

FINISHES

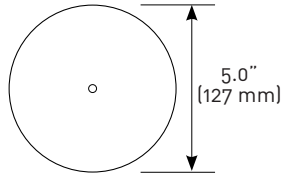
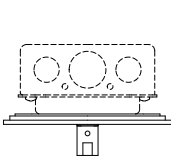
Consult with Litelab for custom finishes

- NT** Brushed Aluminum
- MB** Black
- P** White
- CP** Custom Paint

ADAPTERS

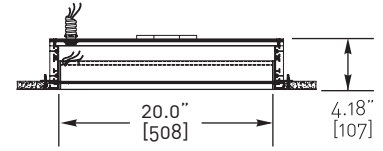
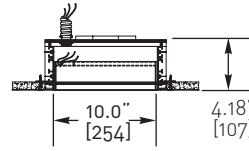
CANOPY

- 3-A 120V
- 3-D 240V



5" (127mm) diameter x 1/4" (6mm) height machined canopy. (Junction box and raised mud ring not included.)

BUSPOINTS



- BP1-08-1A-10** 120V
- BP1-08-3D-10** 240V

- BP1-08-1A-20** 120V
- BP1-08-3D-20** 240V