

# Jewelers Collection

Job Name:

Fixture Type:

## LED Retro/Halogen

### J03PAR38



Specify:

J03PAR38 -  -  -  -

FIXTURE MODEL - ADAPTER - VOLTAGE - FINISH - ACCESSORIES(optional)

Example:

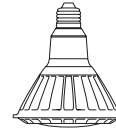
J03PAR38 - 9AC - A - NT - OL-5 x 30- w

#### Jewelers Collection Fixtures

- Fits deep 2.38" (60mm) BusRun.
- Fixture rotates up to 360° and may be ordered with optional on/off switch and rotation lock.

#### Lamp

Replacement LED or PAR38 Halogen (by others)



#### Ratings

30 watts maximum (LED)  
250 watts maximum (Halogen)

When using LED replacement lamps, performance may vary based on lamping. To ensure functionality, we recommend reviewing the performance of specified lamps with the fixture.

[Click here to review Litelab tested lamps.](#)

## Features & Benefits

#### Fixture Description

Yoke mounted with internally tapered, rear-load, machined aluminum lamp ring. Socket cup covers ceramic socket, and leads are enclosed in basket-weave stainless steel braiding.

#### Flush Fit adapter

Adapter plugs into Busway with separate electrical and mechanical connections, and is fully concealed in deep BusRun. Fitter options include a rotation lock and switch, or the fixture may be mounted to other standard Litelab fitters.

#### Lenses and Accessories

Standard clear lenses are available with 55°x75°, 5°x30°, and 5°x55° optical patterns. Beam softener lens, photo etched light blocking screens, hexcell louvers, and tapered object and wallwash snoots are also available. Accessory code shall be "w".

#### Lamp Ring/Accessory Holder

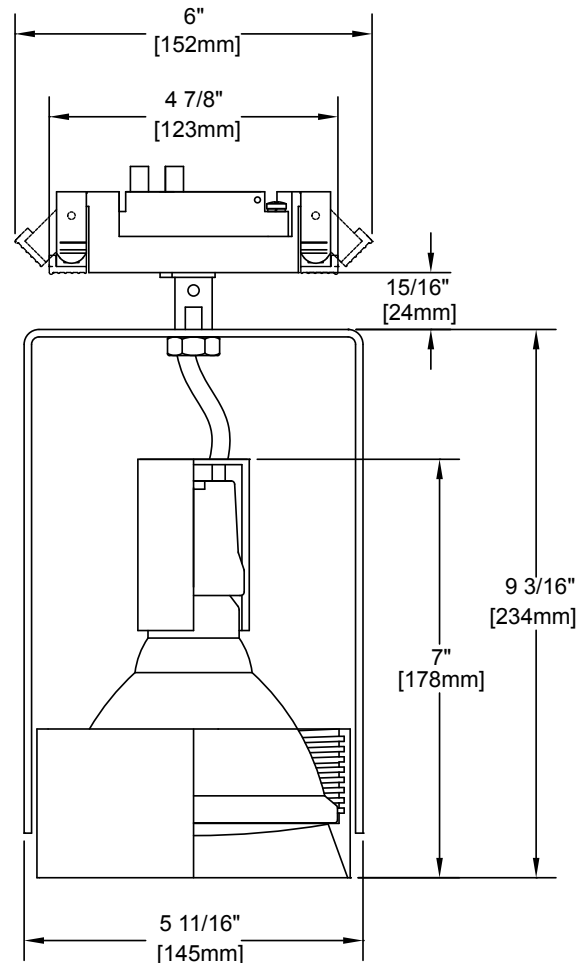
Lamp ring has threaded lamp retaining ring and accepts up to two accessories.

#### Finishes

Available in brushed aluminum, black, white, or custom finish.

#### Dimming

See LED lamp manufacturer's specifications for dimming LED replacement lamps.



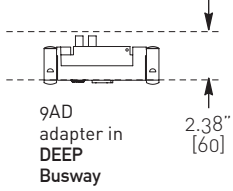
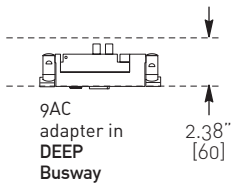
251 Elm Street Buffalo, NY 14203 USA  
800-238-4120 • www.litelab.com © 12/2016

\*\*See fittings and accessories page for mounting options and accessories.

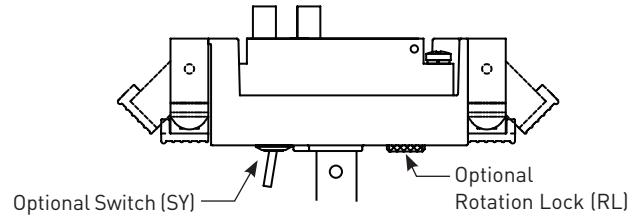
**ADAPTERS**

**BUSRUN**

adapter code	on-off switch optional	rotation lock optional	voltage
<b>9AC</b>	<b>-SY</b>	<b>-RL</b>	<b>-A</b>
fused Lock n Hide fitter with integral driver for use with <b>Deep 120V BusRun</b> busway			
<b>9AC</b>	<b>-SY</b>	<b>-RL</b>	<b>-D</b>
fused Lock n Hide fitter with integral driver for use with <b>Deep 240V BusRun</b> busway			
<b>9AD</b>	<b>-SY</b>	<b>-RL</b>	<b>-A</b>
fused plug-in fitter with integral driver for use with <b>Deep 120V BusRun</b> busway			
<b>9AD</b>	<b>-SY</b>	<b>-RL</b>	<b>-D</b>
fused plug-in fitter with integral driver for use with <b>Deep 240V BusRun</b> busway			

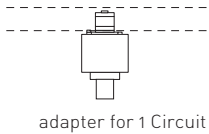


**Fitter Detail highlighting Optional Switch**



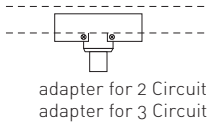
**TRACK (120V, 240V)**

1, 2-3 Circuit



Basic Track adapter - 1.5" [38] x 1.5" [38] x 1.18" [30] Ht. for use in single circuit track.

**8BT**



Spec Track adapter - 3.8" [97] L x 1.25" [32] W x .75" [19] Ht for use in two or three circuit track.

**EUT-2**  
**EUT-3**

**ACCESSORIES**

**Spread Lenses**

**Linear Spread\***  
OL- 5° x 30°-w  
OL- 5° x 55°-w

**Universal Spread\***  
OL- 55° x 75°-w

**Beam Softener\***  
OL-SF-w

**UV Filter**  
OL-Flat-w-UV

\* available with UV coating (add -UV to part number when specifying.)

**Louvers & Screens**

**Hexcell Louver**  
LVH/w (black)

**Light Block Screen**  
B-15N/w

Photo-etched, 15% light-blocking screen. Accepts up to 5 for 30%, 45%, 60% or 75% (maximum)

**Tapered Snoots**

**Object**  
SNOOT-T-w-29

**Wallwash**  
SNOOT-TW-w-29

**FINISHES**

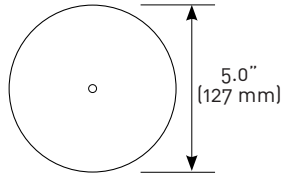
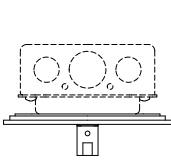
Consult with Litelab for custom finishes

- NT** Brushed Aluminum
- MB** Black
- P** White
- CP** Custom Paint

**ADAPTERS**

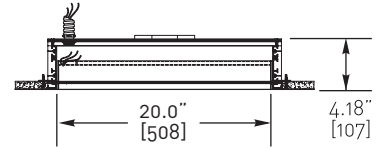
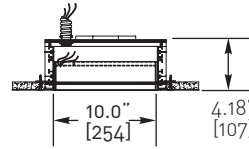
**CANOPY**

- 3-A 120V
- 3-D 240V



5" (127mm) diameter x 1/4" (6mm) height machined canopy. (Junction box and raised mud ring not included.)

**BUSPOINTS**

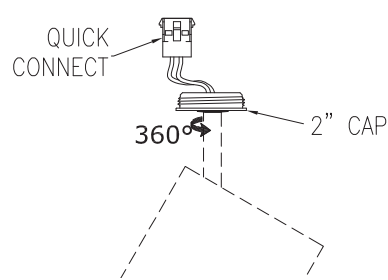


- BP1-08-1A-10 120V
- BP1-08-3D-10 240V

- BP1-08-1A-20 120V
- BP1-08-3D-20 240V

**2" QUICK CONNECT CANOPY**

2" canopy voltage

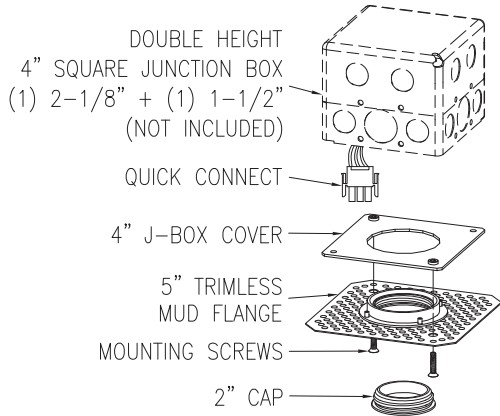


- 4-A 120V
- 4-D 240V

QC-4K kit is required with -4 fixture.

**2" QUICK CONNECT FLANGE KIT**

QC-4K kit for use with -4 fixture.



Box fill must be in compliance with National Electric Code Article 314.