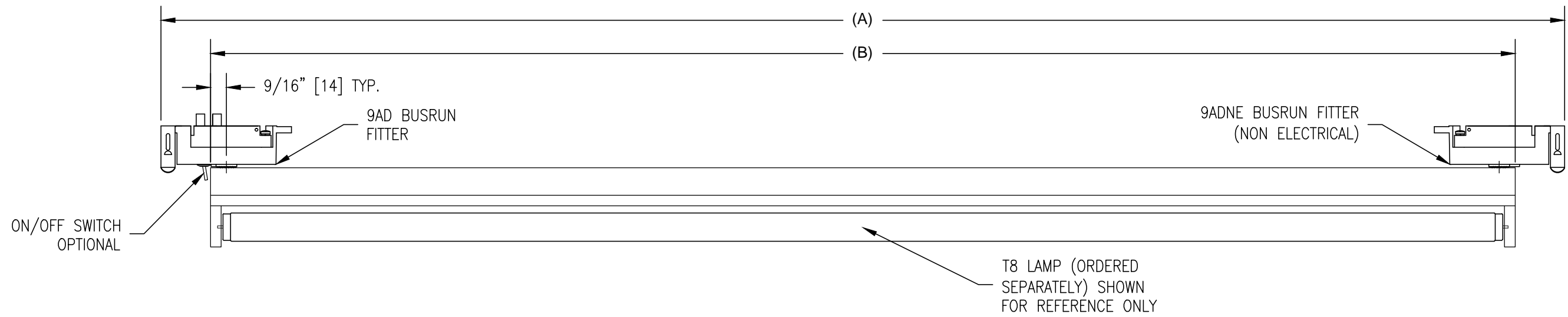


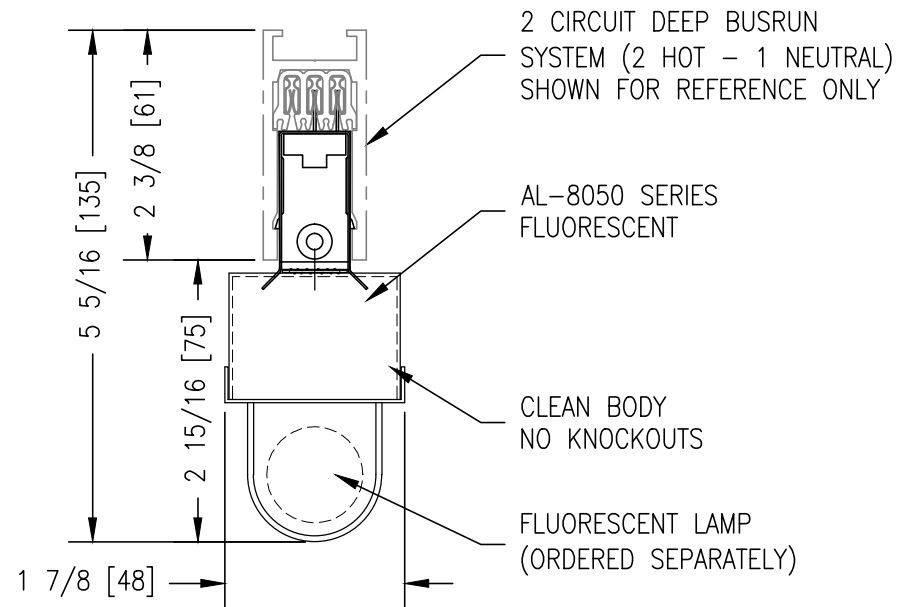
MODEL NUMBER: FL-8050-<LAMP>-9AD-<VOLTAGE>-P-M2	FIXTURE TYPE: FL-8050	DATE: 8/5/13	SCALE: 1/4=1	FILE NUMBER: Product\Fundamentals\Fluorescents\FL-series	DRAWN BY: SDP	CHECKED BY: S.D.P	NO.	REVISIONS DESCRIPTION	BY	DATE
PROJECT NAME:	WEIGHT: n/a	FIXTURE DESCRIPTION: LINEAR T8 FLUORESCENT 8050 ON 9AD FITTER				1	UPDATED MODEL NUMBERS	M.A.S	8/27/13	

**FINISH:**  
MATTE WHITE (P)

**SIDE VIEW**



**END VIEW  
(SHOWN WITH BUSRUN)  
HALF SCALE**



**FIXTURE SPECIFICATION & INPUT REQUIREMENTS:  
(LAMPS ORDERED SEPARATELY)**

**STANDARD OUTPUT**

		FLOURESCENT MOL (B)	OVERALL LENGTH (A)
F17T8	T8 17W (120V/60Hz/.16 AMPS), (277V/60Hz/.07 AMPS)	24" [610]	27 1/2" [699]
F25T8	T8 25W (120V/60Hz/.22 AMPS), (277V/60Hz/.10 AMPS)	36" [914]	39 1/2" [1003]
F32T8	T8 32W (120V/60Hz/.28 AMPS), (277V/60Hz/.12 AMPS)	48" [1219]	51 1/2" [1308]
F40T8	T8 40W (120V/60Hz/.34 AMPS), (277V/60Hz/.15 AMPS)	60" [1524]	63 1/2" [1613]

DIMMING AVAILABLE FOR STANDARD T8

EXAMPLE: FL-8050-F17T8-9AD-A-P-M2 (NON DIMMING)  
FL-8050-F32T8-9AD-A-P-DM2 (DIMMING)

NOTE: DESIGNED FOR 2 WIRE DIMMING ONLY.  
FOR DIMMING OPTIONS CONSULT FACTORY.

