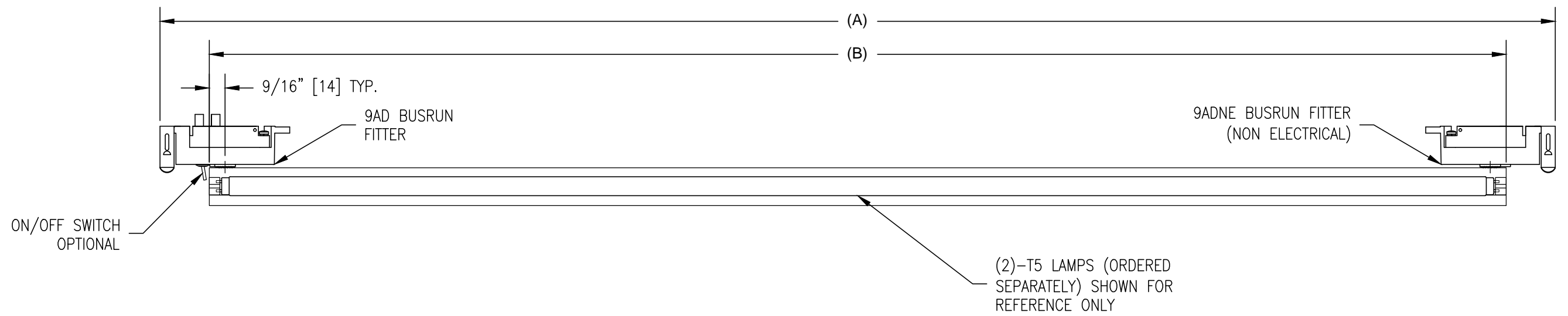


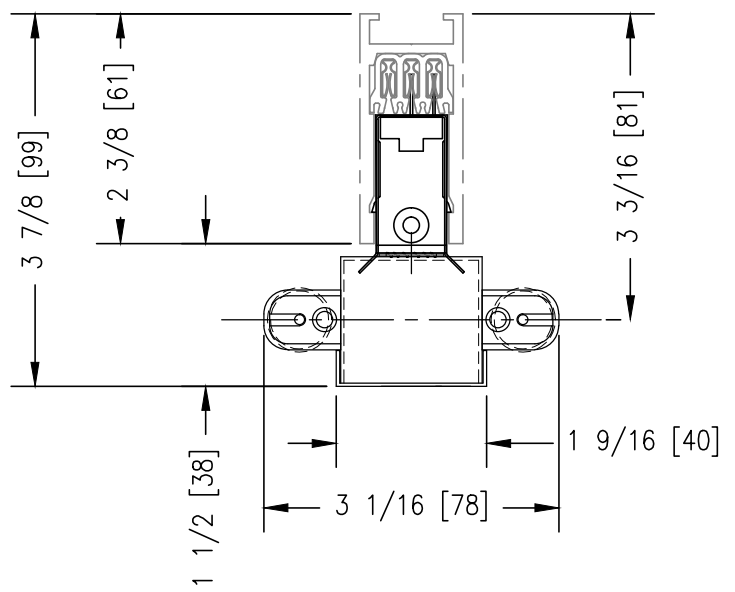
MODEL NUMBER: FL-5040-<LAMP>-9AD-<VOLTAGE>-P-M2	FIXTURE TYPE: FL-5040	DATE: 8/27/13	SCALE: 1/4=1	FILE NUMBER: Product\Fundamentals\Fluorescents\FL-series	DRAWN BY: M.A.S	CHECKED BY: B.J.G	NO.	REVISIONS DESCRIPTION	BY	DATE
PROJECT NAME:		WEIGHT: n/a	FIXTURE DESCRIPTION: LINEAR T5 FLUORESCENT 5040 ON 9AD FITTER							

FINISH:
MATTE WHITE (P)

SIDE VIEW



**END VIEW
(SHOWN WITH BUSRUN)
HALF SCALE**



**FIXTURE SPECIFICATION & INPUT REQUIREMENTS:
(LAMPS ORDERED SEPARATELY)**

STANDARD OUTPUT

	FLOURESCENT MOL (B)	OVERALL LENGTH (A)
(2) F14T5 T5 14W (120V/60Hz/.32 AMPS), (277V/60Hz/.14 AMPS)	22 1/2" [572]	26" [660]
(2) F21T5 T5 21W (120V/60Hz/.44 AMPS), (277V/60Hz/.20 AMPS)	34 1/4" [870]	37 3/4" [959]
(2) F28T5 T5 28W (120V/60Hz/.56 AMPS), (277V/60Hz/.24 AMPS)	46 1/8" [1172]	49 5/8" [1260]
(2) F35T5 T5 35W (120V/60Hz/.68 AMPS), (277V/60Hz/.30 AMPS)	58" [1473]	61 1/2" [1562]

DIMMING NOT AVAILABLE FOR STANDARD T5

EXAMPLE: FL-5040-F28T5-9AD-A-P-M2

HIGH OUTPUT

	FLOURESCENT MOL (B)	OVERALL LENGTH (A)
(2) F24T5 T5 24W (120V/60Hz/.50 AMPS), (277V/60Hz/.20 AMPS)	22 1/2" [572]	26" [660]
(2) F39T5 T5 39W (120V/60Hz/.74 AMPS), (277V/60Hz/.34 AMPS)	34 1/4" [870]	37 3/4" [959]
(2) F54T5 T5 54W (120V/60Hz/1.08 AMPS), (277V/60Hz/.46 AMPS)	46 1/8" [1172]	49 5/8" [1260]
(2) F80T5 T5 80W (120V/60Hz/1.52 AMPS), (277V/60Hz/.66 AMPS)	58" [1473]	61 1/2" [1562]

EXAMPLE: FL-5040-F54T5-9AD-A-P-M2 (NON DIMMING)
FL-5040-F39T5-9AD-A-P-DM2 (DIMMING)

NOTE: DESIGNED FOR 2 WIRE DIMMING ONLY.
FOR DIMMING OPTIONS CONSULT FACTORY.

