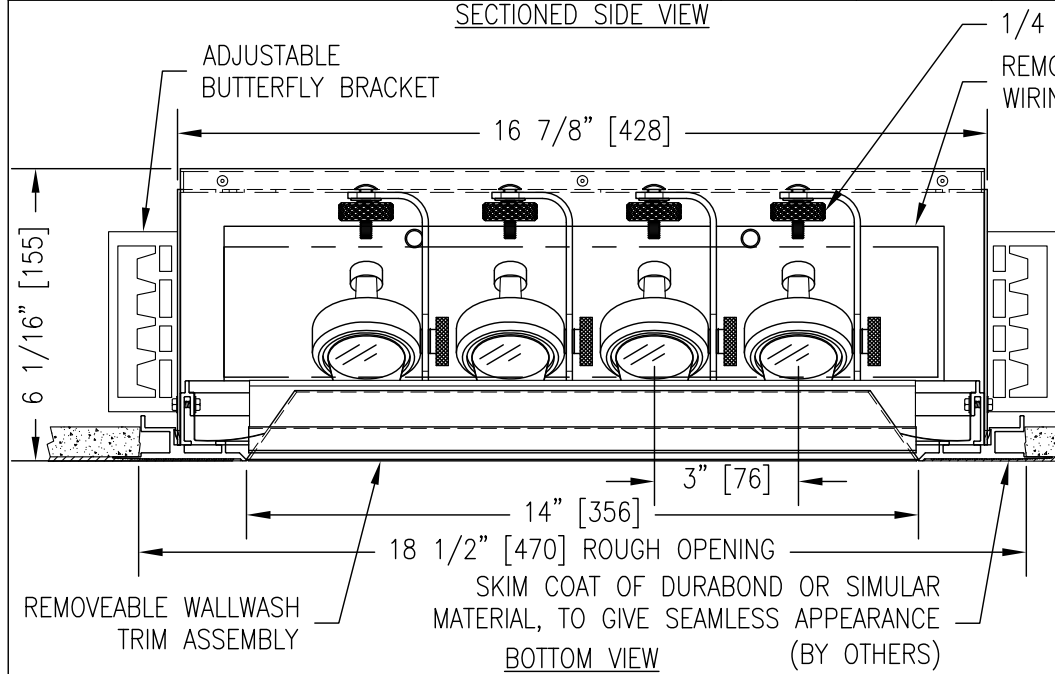
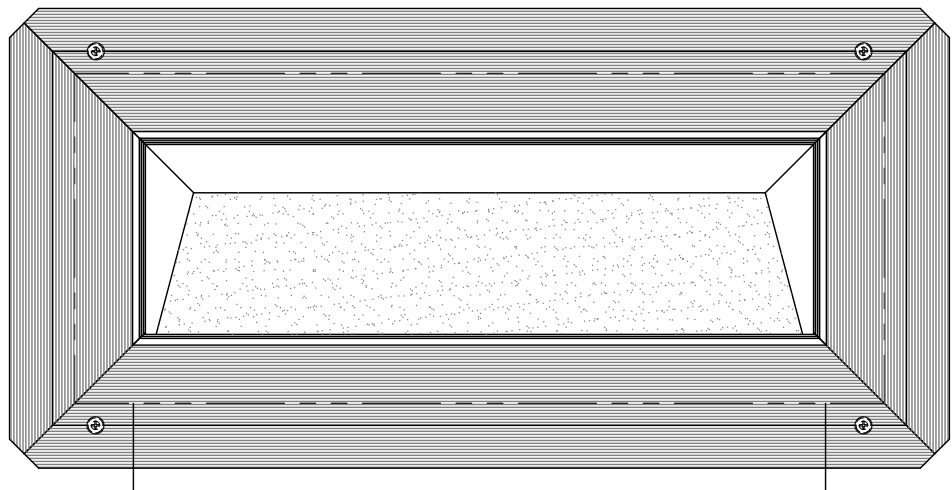
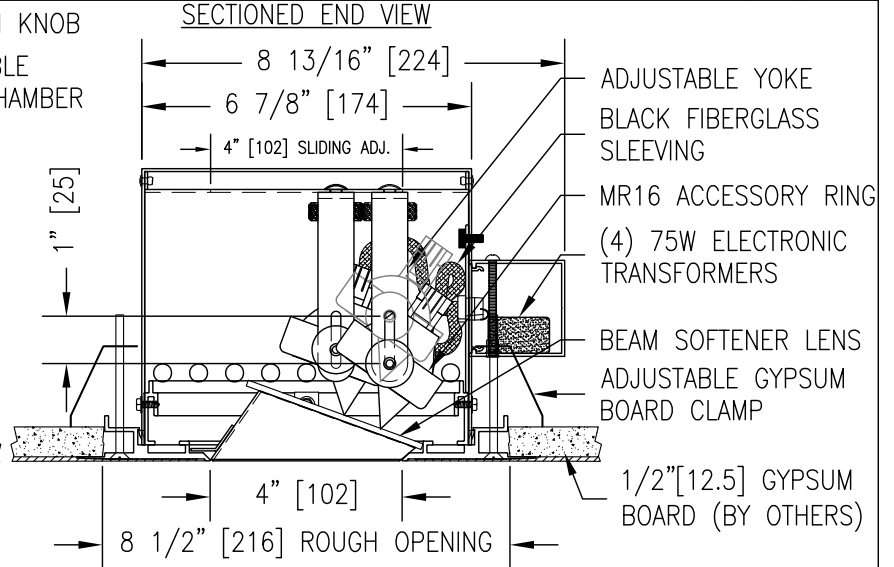


MODEL NUMBER: DL-T1-A-1D-4-WW-MB	FIXTURE TYPE: SCALE: 1/4"=1"	FILE NUMBER: Product\DownLights\DL-WALLWASH	DATE: 3/3/05	NO.	REVISIONS DESCRIPTION	BY	DATE
PROJECT NAME:	APPROX. WEIGHT: N/A	DRAWN BY: D.G.A.	CK'D BY: B.G.3/05	FIXTURE DESCRIPTION: 4 LAMP MR16 RECESSED WALLWASH	3	REMOVED FROSTING ON LENS	B.J.G.11/3/09

SECTIONED SIDE VIEW



SECTIONED END VIEW



INSTALLATION INFORMATION:

ETL LISTED AS A NON-IC FIXTURE
DO NOT INSTALL INSULATION WITHIN 3" (76mm) OF ANY PART OF THIS FIXTURE.
DO NOT BLOCK VENT HOLES ON FIXTURE.
MAXIMUM AMBIENT TEMPERATURE NOT TO EXCEED 35°C.

INPUT REQUIREMENTS:

(4) MR16 50 WATT MAX.
230V/50Hz/1.6 AMPS

ACCESSORIES: (included)

61510-01-OMB WALLWASH SNOOT
OL-55x75-a OPTICAL LENS

ACCESSORIES: (ordered separately)

NONE

LAMP SPEC: (ordered separately)

MR16 50 WATT MAX.

FINISH:

SLOT INTERIOR: MATTE BLACK
FIXTURE: MATTE BLACK
TRIM: WHITE

DIMMING INFORMATION:

THE MANUFACTURER OF THE ELECTRONIC TRANSFORMERS USED IN OUR INTEGRALLY TRANSFORMED LIGHTING FIXTURES SAYS THAT THE TRANSFORMERS ARE SUITABLE FOR "ALL LEADING AND TRAILING EDGE DIMMER SYSTEMS". WHILE WE STAND BEHIND THIS STATEMENT, WE WILL NOT BE RESPONSIBLE FOR ANY NOISE OR OTHER COMPATIBILITY ISSUES WITH ANY DIMMING OR CONTROL SYSTEM AND STRONGLY RECOMMEND THAT THE UNITS BE TESTED BY THE CUSTOMER TO ENSURE THEIR PERFORMANCE SATISFACTION. LITELAB WILL FURNISH UNITS FOR TEST AT THE CUSTOMER'S REQUEST.

