

MODEL NUMBER: CG-AR111-75-9i-T.B.D.	FIXTURE TYPE:	SCALE: 1/4"=1"	FILE NUMBER:	DRAWN BY: N.A.S.	NO.	REVISIONS DESCRIPTION	BY	DATE
PROJECT NAME:	DATE:	WEIGHT:	FIXTURE DESCRIPTION: AR111 FIX W/ EXTRUSION					

INPUT REQUIREMENTS:

AR-111
120V/60Hz/.625 AMPS EA.

LAMP SPEC:(ORDERED SEPARATELY)

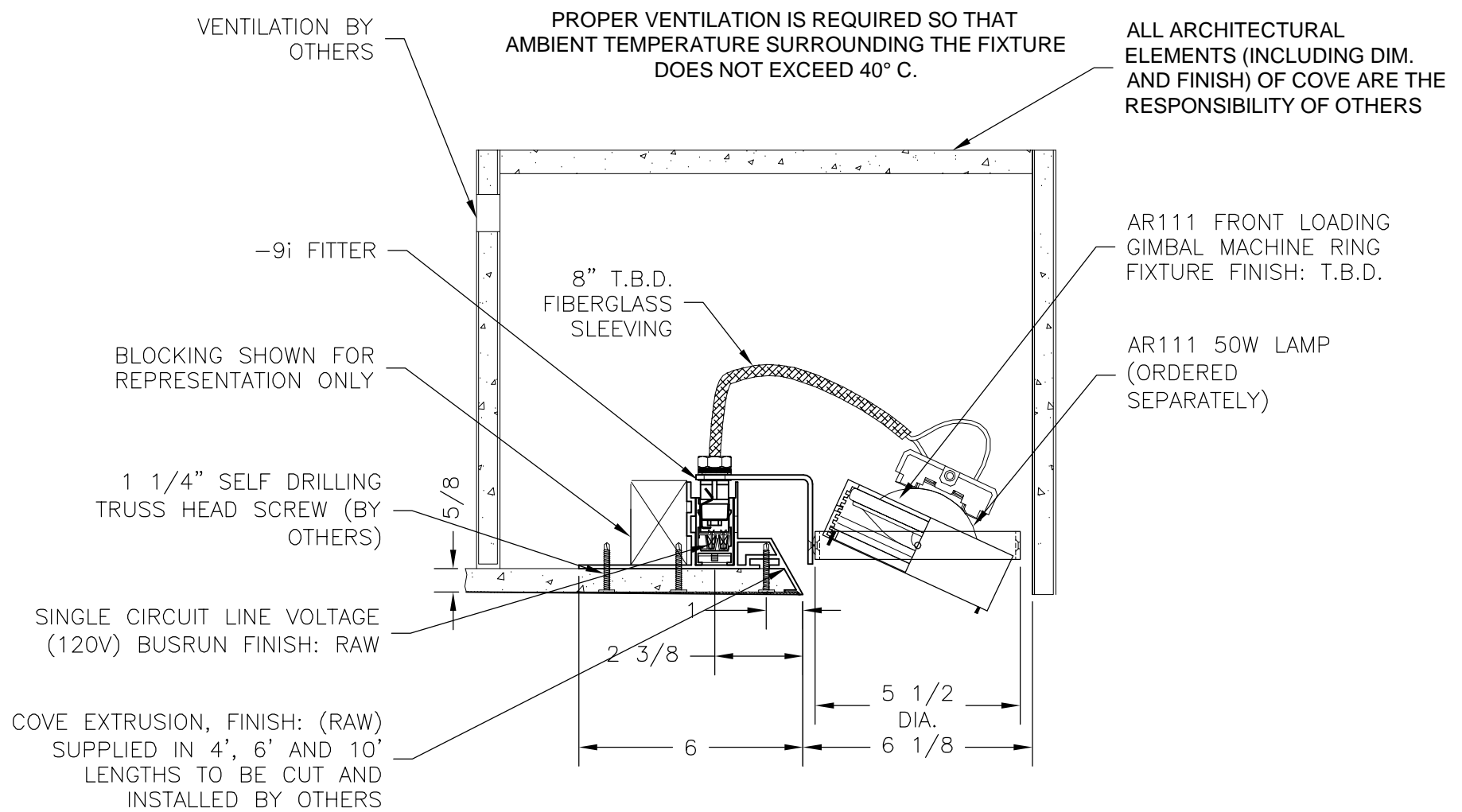
T.B.D.

ACCESSORIES:(ORDERED SEPARATELY)

NONE

FINISH:

FIXTURES: T.B.D.



MODEL NUMBER: CS-AR70-50-9i-TBD	FIXTURE TYPE:	SCALE: 1/4" = 1"	FILE NUMBER:	DRAWN BY: N.A.S.	NO.	REVISIONS DESCRIPTION	BY	DATE
PROJECT NAME:	DATE:	WEIGHT:	FIXTURE DESCRIPTION: AR 70 FIX. W/ EXTRUSION					

FIXTURE FINISH:

T.B.D.

MINIMUM 9" O.C. FIXTURE SPACING

LAMP SPECIFICATION: (ORDERED SEPARATELY)

AR-70 LAMP 50W MAX.

INPUT REQUIREMENTS:

AR-70 HID 50W MAX
120V/60Hz/.625 AMPS

ACCESSORIES: (ORDERED SEPARATELY)

NONE

**PROPER VENTILATION IS REQUIRED SO THAT
AMBIENT TEMPERATURE SURROUNDING THE FIXTURE
DOES NOT EXCEED 40° C.**

