

MODEL NUMBER: CG-M30-39-9A-T.B.D.	FIXTURE TYPE:	SCALE: 1/4" = 1"	FILE NUMBER:	DRAWN BY: N.A.S.	NO.	REVISIONS DESCRIPTION	BY	DATE
PROJECT NAME:	DATE:	WEIGHT:	FIXTURE DESCRIPTION: Par30 HID FIXTURE W/EXTR.					

INPUT REQUIREMENTS:
 PAR-30 HID
 120V/60Hz/.37 AMPS EA.

LAMP SPEC: (ORDERED SEPARATELY)
 CDM35/PAR30 LAMP

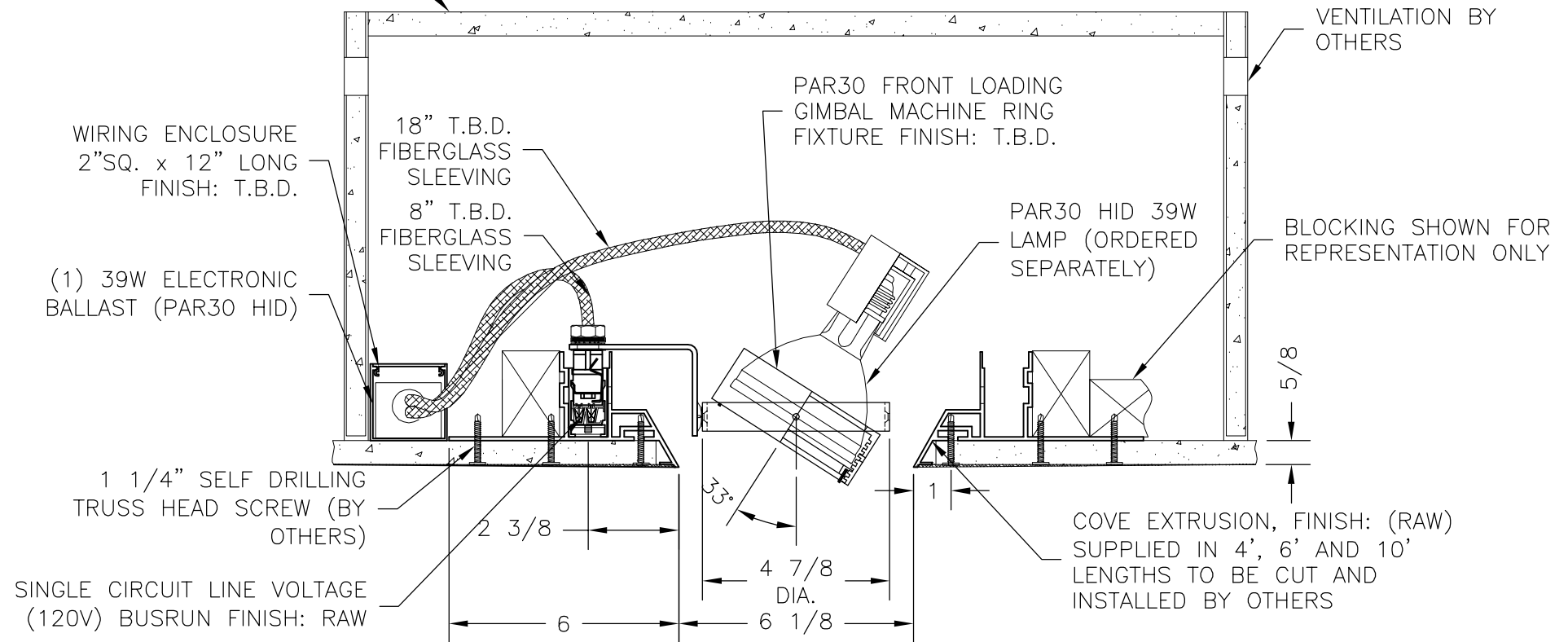
END RETURNS TO BE ORDERED SEPARATELY TO MATCH VISUAL OPENING AT ENDS OF COVE

ACCESSORIES: (ORDERED SEPARATELY)
 NONE

FINISH:
 FIXTURES: T.B.D.

ALL ARCHITECTURAL ELEMENTS (INCLUDING DIM. AND FINISH) OF COVE ARE THE RESPONSIBILITY OF OTHERS

PROPER VENTILATION IS REQUIRED SO THAT AMBIENT TEMPERATURE SURROUNDING THE FIXTURE DOES NOT EXCEED 40° C.



MODEL NUMBER: CS-P20-35-9A-T.B.D.	FIXTURE TYPE:	SCALE: 1/4" = 1"	FILE NUMBER:	DRAWN BY: N.A.S.	NO.	REVISIONS DESCRIPTION	BY	DATE
PROJECT NAME:	DATE:	WEIGHT:	FIXTURE DESCRIPTION: PAR 20 FIX. W/ EXTRUSION					

FIXTURE FINISH:

T.B.D.

LAMP SPECIFICATION: (ORDERED SEPARATELY)

35w PAR-20 LAMP
(35PAR20/CAP/SPL/NSP10)

INPUT REQUIREMENTS:

PAR-20 HID 35W MAX
120V/60Hz/.625 AMPS

ALL ARCHITECTURAL ELEMENTS
(INCLUDING DIMENSIONS AND
FINISH) OF COVE ARE THE
RESPONSIBILITY OF OTHERS

VENTILATION (BY
OTHERS)

BLOCKING SHOWN FOR
REPRESENTATION ONLY

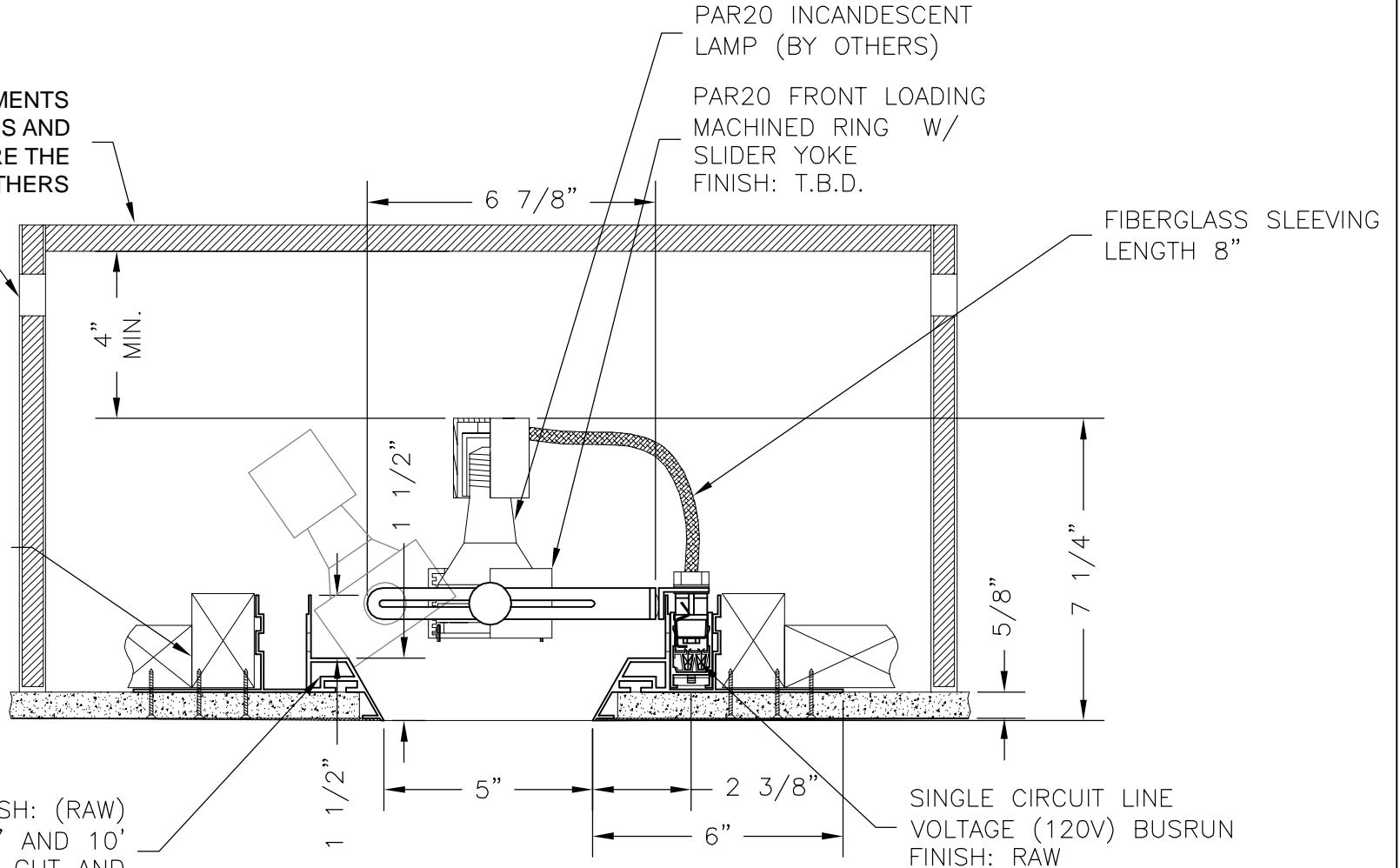
COVE EXTRUSION, FINISH: (RAW)
SUPPLIED IN 4', 6' AND 10'
LENGTHS TO BE CUT AND
INSTALLED BY OTHERS

MINIMUM 9" O.C. FIXTURE SPACING

PROPER VENTILATION IS REQUIRED SO THAT
AMBIENT TEMPERATURE SURROUNDING THE FIXTURE
DOES NOT EXCEED 40° C.

ACCESSORIES: (ORDERED SEPARATELY)
NONE

END RETURNS TO BE ORDERED
SEPARATELY TO MATCH VISUAL
OPENING AT ENDS OF COVE



MODEL NUMBER: CS-M20-39-9A-T.B.D.	FIXTURE TYPE:	SCALE: 1/4" = 1"	FILE NUMBER:	DRAWN BY: N.A.S.	NO.	REVISIONS DESCRIPTION	BY	DATE
PROJECT NAME:	DATE:	WEIGHT:	FIXTURE DESCRIPTION: PAR 20HID FIX. W/ EXTRUSION					

FIXTURE FINISH:
T.B.D.

LAMP SPECIFICATION: (ORDERED SEPARATELY)
35w PAR-20 LAMP
(CDM35/PAR20/M/SP)

ACCESSORIES: (ORDERED SEPARATELY)
NONE

ALL ARCHITECTURAL ELEMENTS
(INCLUDING DIMENSIONS AND
FINISH) OF COVE ARE THE
RESPONSIBILITY OF OTHERS

VENTILATION (BY
OTHERS)

BLOCKING SHOWN FOR
REPRESENTATION ONLY

COVE EXTRUSION, FINISH: (RAW)
SUPPLIED IN 4', 6' AND 10'
LENGTHS TO BE CUT AND
INSTALLED BY OTHERS

MINIMUM 9" O.C. FIXTURE SPACING

PROPER VENTILATION IS REQUIRED SO THAT
AMBIENT TEMPERATURE SURROUNDING THE FIXTURE
DOES NOT EXCEED 40° C.

END RETURNS TO BE
ORDERED SEPARATELY TO
MATCH VISUAL OPENING AT
ENDS OF COVE

INPUT REQUIREMENTS:
PAR-20 HID 35W MAX
120V/60Hz/.4 AMPS

