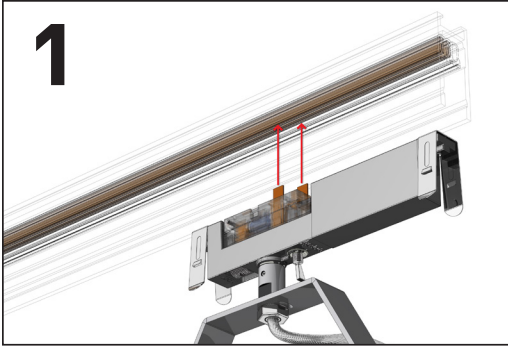
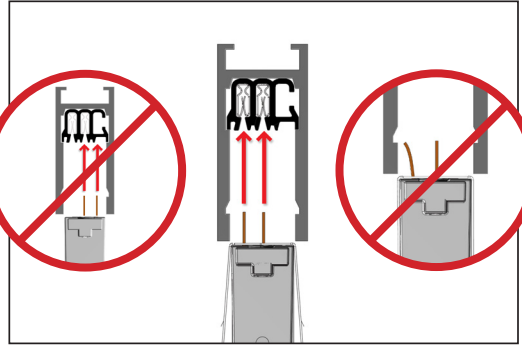


BusRun Fitter Installation



1
Visually check to make certain the contacts properly align with the busbars. If contacts do not align, turn the fitter around 180°.



If the contacts still do not align, check that the voltage marked on the fixture label matches the voltage on the BusRun label. As a safety feature, fitters will not plug into BusRun made for a different voltage.

Check that contacts are not bent before installing - straighten if necessary

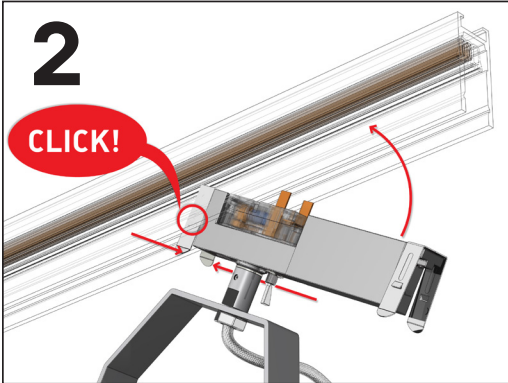
The BusRun fitter is supplied in a few variations:



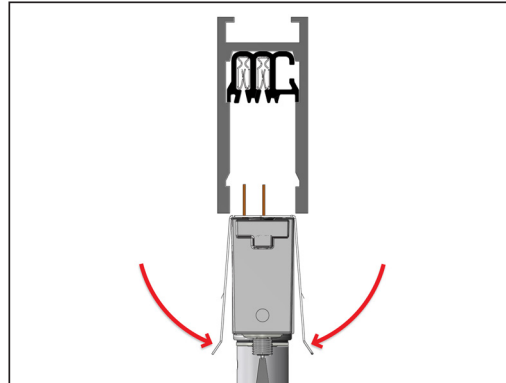
short clips
Shallow BusRun



long clips
Deep BusRun



2
CLICK!
Note that the contacts are offset to one end. Install this end first by inserting into the BusRun until you hear or feel the locking tabs "click."



"Roll" the fitter into the BusRun until you hear or feel the second clip snap into the busway, as shown below.

NOTE

DO NOT FORCE THE FITTER INTO THE BUSWAY.

It does take some effort to insert the fitter, but if it will not fit, remove it, check the alignment of the contacts to the busbars and try again.

Once the fitter is installed, pull firmly on the fixture to ensure that it is locked into place.

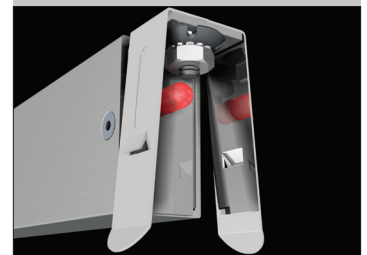


3



FOR 9M ONLY:

LED Fault Indicator Codes:



Slow flash: attempting to start lamp

If no start after 10 minutes:
3 slow flashes & pause: bad lamp/no lamp (disconnect power to reset, replace lamp, reconnect power)

2 flashes & pause: overheated (thermal shutdown)

To remove fixture, firmly squeeze both clips, push up to release and pull straight down.