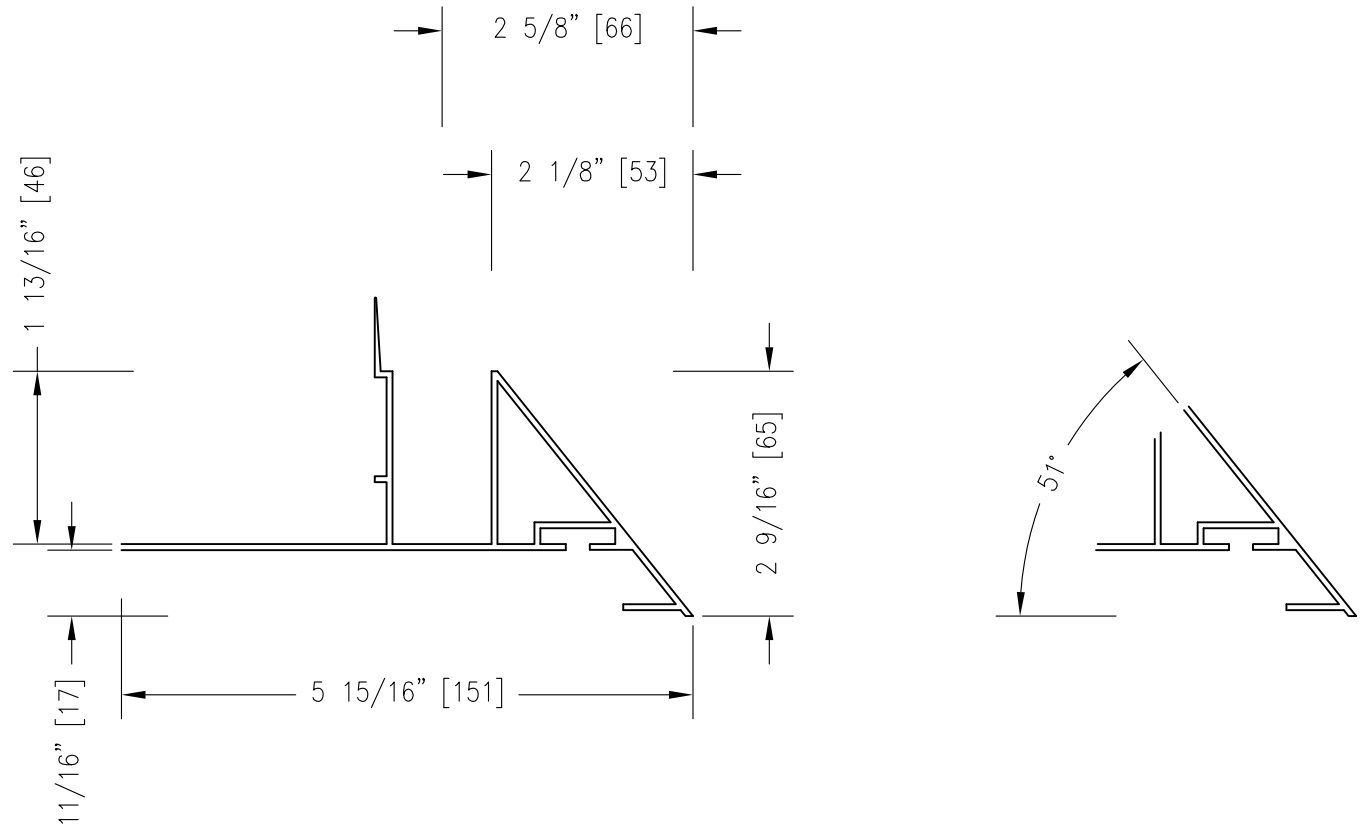


MODEL NUMBER: 70248	FIXTURE TYPE:	SCALE: 1/2"=1"	FILE NUMBER: L_70248.dwg	DATE: 2/04/09	NO.	REVISIONS DESCRIPTION	BY	DATE
PROJECT NAME:	APPROX. WEIGHT:	DRAWN BY: CFG	CK'D BY:	FIXTURE DESCRIPTION: 70248 COVE EXTRUSION				

FOR USE WITH 5/8" [16mm] GYPSUM DRYWALL

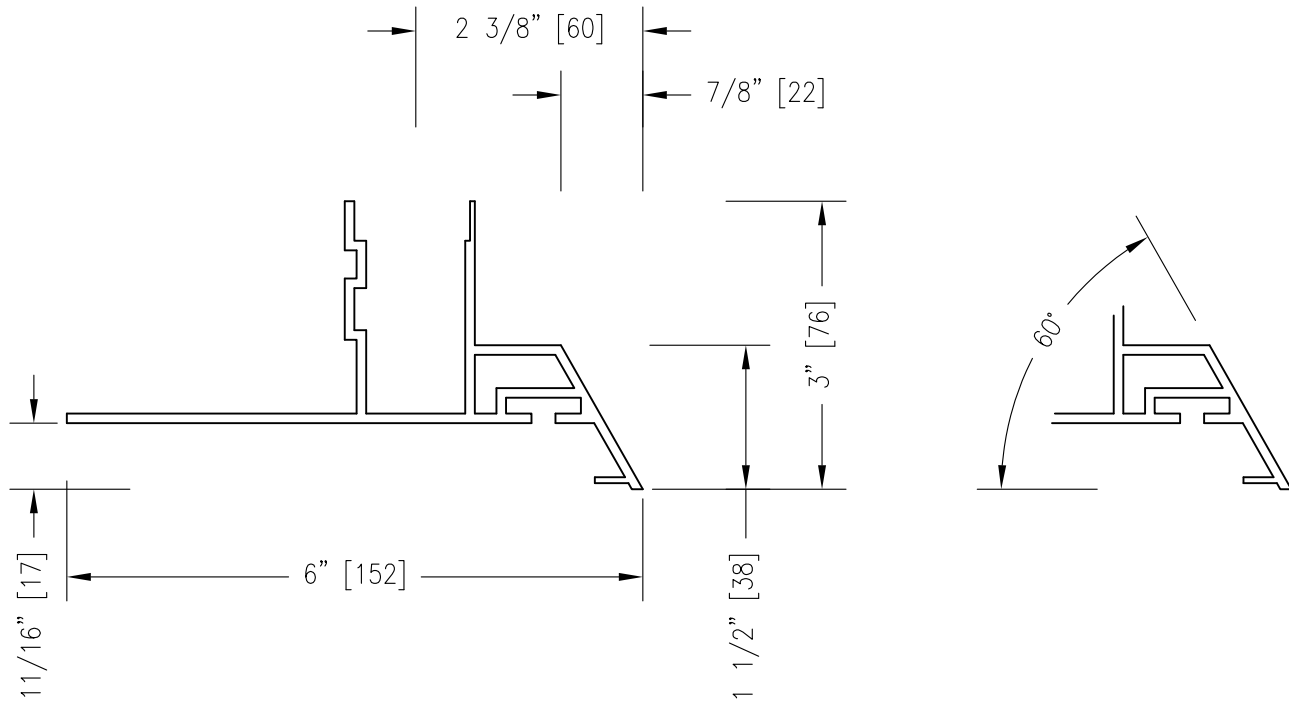


70248



MODEL NUMBER: 70285	FIXTURE TYPE:	SCALE: 1/2"=1"	FILE NUMBER: L_70285.dwg	DATE: 2/04/09	NO.	REVISIONS DESCRIPTION	BY	DATE
PROJECT NAME:	APPROX. WEIGHT:	DRAWN BY: CFG	CK'D BY:	FIXTURE DESCRIPTION: 70285 COVE EXTRUSION				

FOR USE WITH 5/8" [16mm] GYPSUM DRYWALL

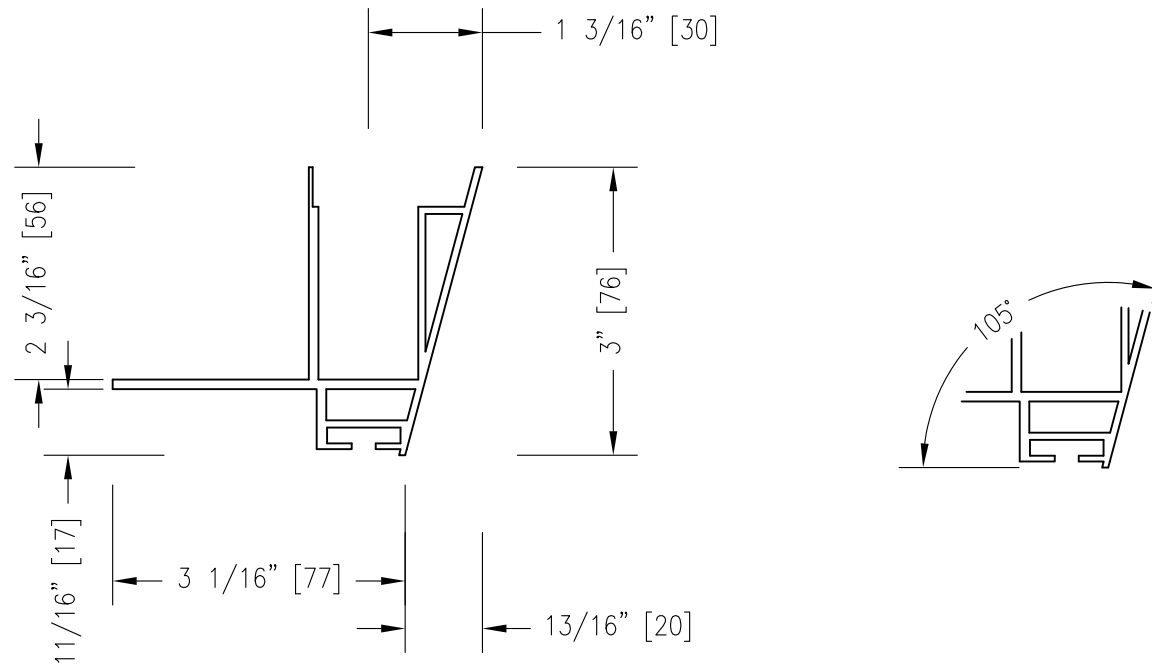


70285



MODEL NUMBER: 70260	FIXTURE TYPE:	SCALE: 1/2"=1"	FILE NUMBER: L_70260.dwg	DATE: 2/04/09	NO.	REVISIONS DESCRIPTION	BY	DATE
PROJECT NAME:	APPROX. WEIGHT:	DRAWN BY: CFG	CK'D BY:	FIXTURE DESCRIPTION: 70260 COVE EXTRUSION				

FOR USE WITH 5/8" [16mm] GYPSUM DRYWALL



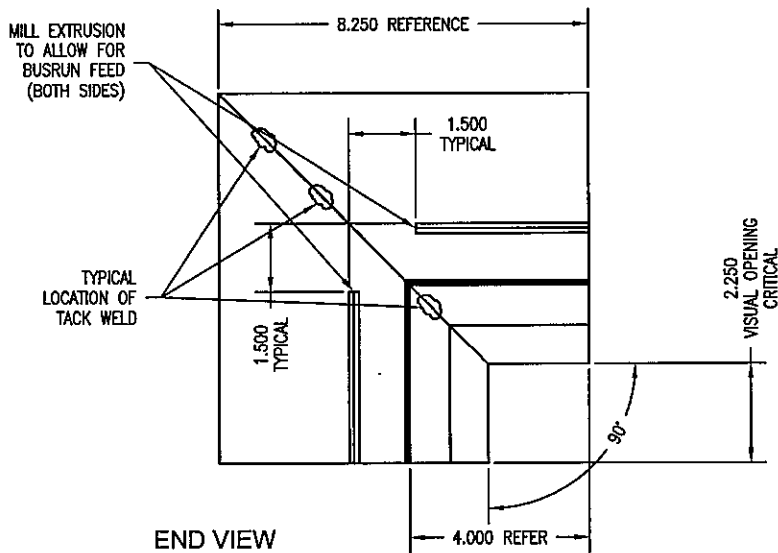
70260



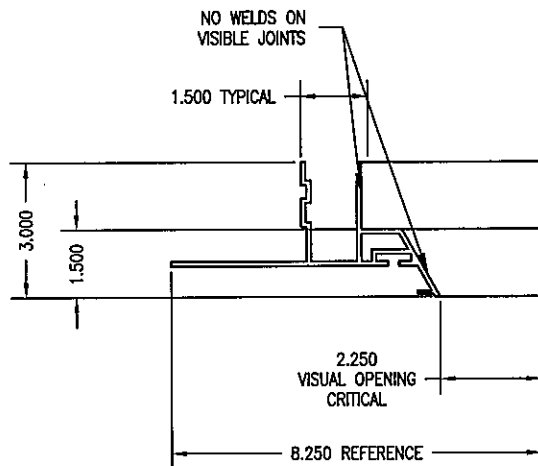
COVE INSIDE "L" FABRICATED OUT OF COVE EXTRUSION  
 PART # 70285  
 QTY. (2) REQ'D

LITELAB 251 ELM STREET BUFFALO, NY 14203 716-856-4491 (FAX) 716-856-0156		DRAWING #: 1 OF 1	
RAW MATERIAL: COVE-5/8" DW 122L AL-70285		OLD PART #:	NEW PART #: NCN
EXPECTED YIELD: 7 PCS.	DRAWN BY:	DWG DATE:	DESCRIPTION: COVE ELBOW (INSIDE)
BLANK PART #: 70285	CHECKED BY: ±.015	CHECK DATE: 6/27/07	TOLERANCE: S.D.P.
BLANK SIZE:		REV	FILE NAME: Proj\SO\76984
		REVISION DESCRIPTION	BY DATE

TOP VIEW

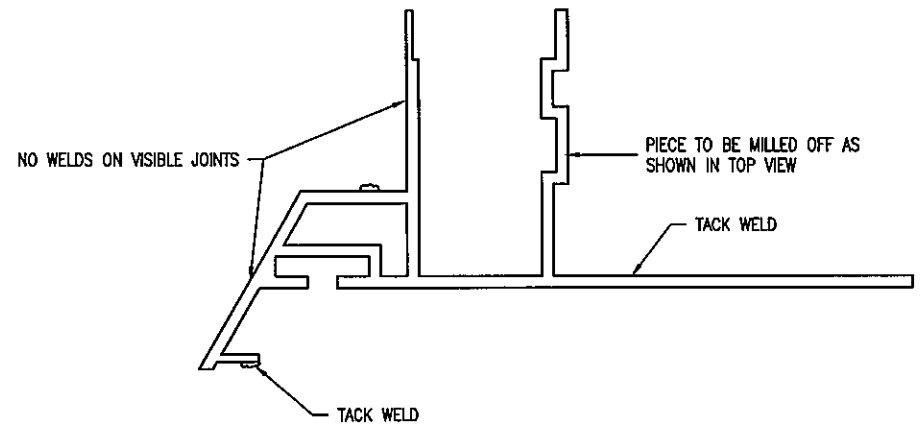


END VIEW

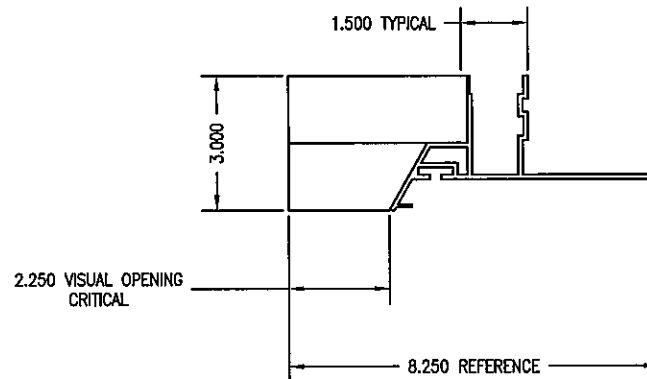


COVE EXTRUSION:  
SECTION VIEW

SCALE: FULL



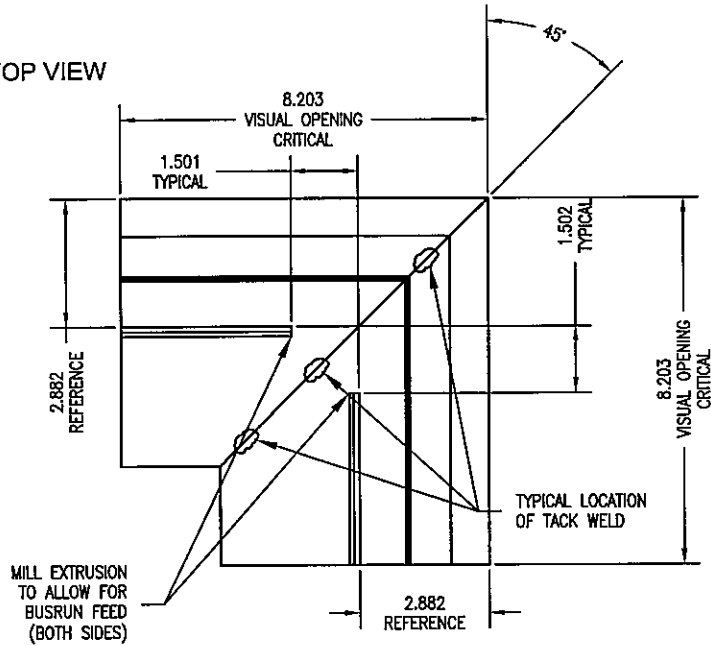
RIGHT SIDE VIEW



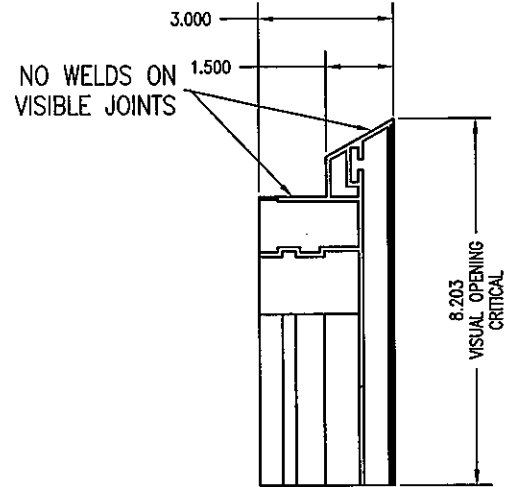
COVE OUTSIDE "L" FABRICATED OUT OF COVE EXTRUSION  
 PART # 70285  
 QTY. (2) REQ'D

LITELAB 251 ELM STREET BUFFALO, NY 14203 716-856-4491 (FAX) 716-856-0156		DRAWING #: 1 OF 1	
RAW MATERIAL: COVE-5/8" DW 122L AL-70285		OLD PART #:	NEW PART #: NCN
EXPECTED YIELD: 7 PCS.	DRAWN BY:	DWG DATE:	DESCRIPTION: COVE ELBOW (OUTSIDE)
BLANK PART #: 70285	CHECKED BY:	CHECK DATE: 6/27/07	TOLERANCE: S.D.P. FILE NAME: Proj\SO\76984
BLANK SIZE:	REV	REVISION DESCRIPTION	BY DATE

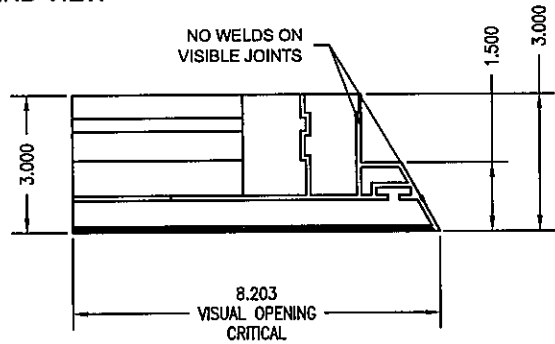
TOP VIEW



RIGHT SIDE VIEW



END VIEW



COVE EXTRUSION: SECTION VIEW SCALE: FULL

