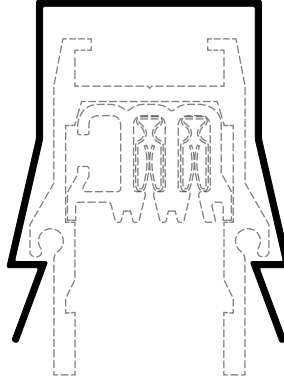
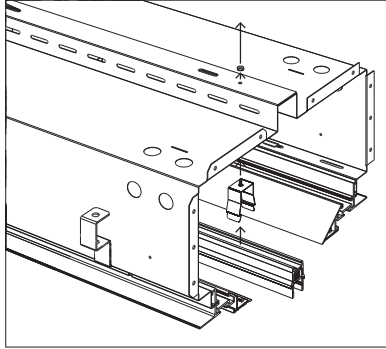


## Hanging Options



### ALS Mounting Spring Clip

Clip mounts within ALS extrusion.  
Bus 19 spring loads into clip.

## Feed Options

### EEF-19W



End End Feed:  
Standard feed for  
Bus-19 is 30" long  
with 12" whips.

**Max Load**  
60 amp at 12v, 120v,  
240v, 277v  
\*CL

\*CL: Current Limiter Available. (120V only)  
Replace "F" in model number  
with "C".

## Notes:

1. All feeds are supplied with two end caps.
2. Feeds cannot be modified.